



Chipsmall Limited consists of a professional team with an average of over 10 year of expertise in the distribution of electronic components. Based in Hongkong, we have already established firm and mutual-benefit business relationships with customers from,Europe,America and south Asia,supplying obsolete and hard-to-find components to meet their specific needs.

With the principle of “Quality Parts,Customers Priority,Honest Operation,and Considerate Service”,our business mainly focus on the distribution of electronic components. Line cards we deal with include Microchip,ALPS,ROHM,Xilinx,Pulse,ON,Everlight and Freescale. Main products comprise IC,Modules,Potentiometer,IC Socket,Relay,Connector.Our parts cover such applications as commercial,industrial, and automotives areas.

We are looking forward to setting up business relationship with you and hope to provide you with the best service and solution. Let us make a better world for our industry!



## Contact us

Tel: +86-755-8981 8866 Fax: +86-755-8427 6832

Email & Skype: info@chipsmall.com Web: www.chipsmall.com

Address: A1208, Overseas Decoration Building, #122 Zhenhua RD., Futian, Shenzhen, China



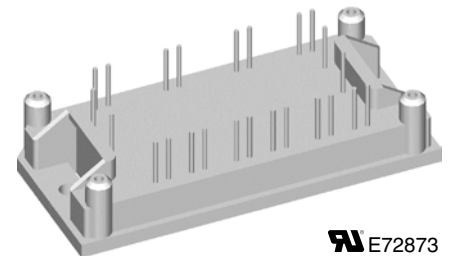
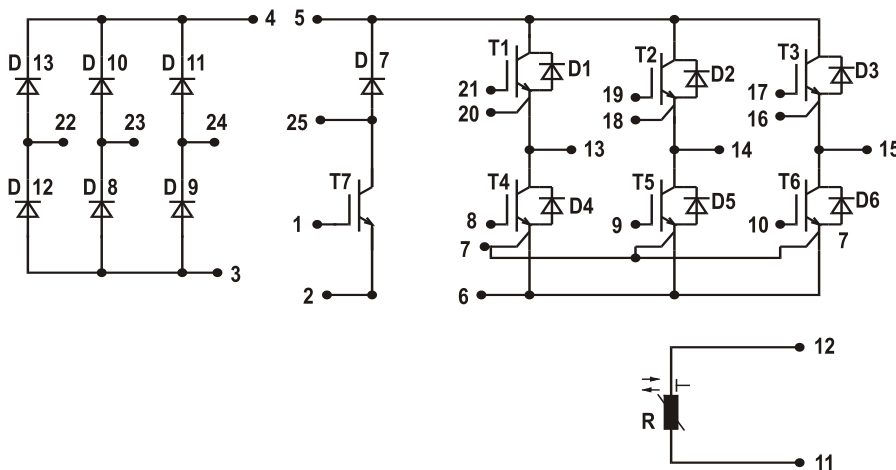
# Converter - Brake - Inverter Module (CBI 1) NPT IGBT

Three Phase Rectifier	Brake Chopper	Three Phase Inverter
$V_{RRM} = 1600 \text{ V}$	$V_{CES} = 600 \text{ V}$	$V_{CES} = 600 \text{ V}$
$I_{DAVM25} = 95 \text{ A}$	$I_{C25} = 12 \text{ A}$	$I_{C25} = 31 \text{ A}$
$I_{FSM} = 250 \text{ A}$	$V_{CE(sat)} = 2.0 \text{ V}$	$V_{CE(sat)} = 2.1 \text{ V}$

Preliminary data

**Part name** (Marking on product)

MUBW25-06A6K



E72873

Pin configuration see outlines.

**Features:**

- High level of integration - only one power semiconductor module required for the whole drive
- Inverter with NPT IGBTs
- low saturation voltage
- positive temperature coefficient
- fast switching
- short tail current
- Epitaxial free wheeling diodes with hiperfast and soft reverse recovery
- Industry standard package with insulated copper base plate and soldering pins for PCB mounting
- Temperature sense included

**Application:**

- AC motor drives with
- Input from single or three phase grid
- Three phase synchronous or asynchronous motor
- Electric braking operation

**Package:**

- UL registered
- Industry standard E1-pack

**Output Inverter T1 - T6**

Symbol	Definitions	Conditions	Ratings			Unit
			min.	typ.	max.	
$V_{CES}$	collector emitter voltage	$T_{VJ} = 25^{\circ}\text{C to } 150^{\circ}\text{C}$			600	V
$V_{GES}$	max. DC gate voltage	continuous			$\pm 20$	V
$V_{GEM}$	max. transient collector gate voltage	transient			$\pm 30$	V
$I_{C25}$	collector current	$T_C = 25^{\circ}\text{C}$			31	A
$I_{C80}$		$T_C = 80^{\circ}\text{C}$			21	A
$P_{tot}$	total power dissipation	$T_C = 25^{\circ}\text{C}$			100	W
$V_{CE(sat)}$	collector emitter saturation voltage	$I_C = 20\text{ A}; V_{GE} = 15\text{ V}$			2.1 2.3	V V
$V_{GE(th)}$	gate emitter threshold voltage	$I_C = 0.5\text{ mA}; V_{GE} = V_{CE}$	4.5		6.5	V
$I_{CES}$	collector emitter leakage current	$V_{CE} = V_{CES}; V_{GE} = 0\text{ V}$			1.3	mA mA
$I_{GES}$	gate emitter leakage current	$V_{CE} = 0\text{ V}; V_{GE} = \pm 20\text{ V}$			100	nA
$C_{ies}$	input capacitance	$V_{CE} = 25\text{ V}; V_{GE} = 0\text{ V}; f = 1\text{ MHz}$			1100	pF
$Q_{G(on)}$	total gate charge	$V_{CE} = 300\text{ V}; V_{GE} = 15\text{ V}; I_C = 20\text{ A}$			65	nC
$t_{d(on)}$	turn-on delay time	inductive load $V_{CE} = 300\text{ V}; I_C = 20\text{ A}$ $V_{GE} = \pm 15\text{ V}; R_G = 47\ \Omega$				
$t_r$	current rise time					
$t_{d(off)}$	turn-off delay time					
$t_f$	current fall time					
$E_{on}$	turn-on energy per pulse					
$E_{off}$	turn-off energy per pulse					
$I_{CM}$	reverse bias safe operating area	RBSOA; $V_{GE} = \pm 15\text{ V}; R_G = 47\ \Omega$ $L = 100\ \mu\text{H};$ clamped induct. load $V_{CEmax} = V_{CES} - L_S \cdot di/dt$	$T_{VJ} = 125^{\circ}\text{C}$		40	A
$t_{SC}$ (SCSOA)	short circuit safe operating area	$V_{CE} = 600\text{ V}; V_{GE} = \pm 15\text{ V};$ $R_G = 47\ \Omega;$ non-repetitive	$T_{VJ} = 125^{\circ}\text{C}$		10	$\mu\text{s}$
$R_{thJC}$	thermal resistance junction to case	(per IGBT)			1.25	K/W
$R_{thCH}$	thermal resistance case to heatsink	(per IGBT)			0.45	K/W

**Output Inverter D1 - D6**

Symbol	Definitions	Conditions	Ratings			Unit
			min.	typ.	max.	
$V_{RRM}$	max. repetitive reverse voltage	$T_{VJ} = 150^{\circ}\text{C}$			600	V
$I_{F25}$	forward current	$T_C = 25^{\circ}\text{C}$			36	A
$I_{F80}$		$T_C = 80^{\circ}\text{C}$			24	A
$V_F$	forward voltage	$I_F = 20\text{ A}; V_{GE} = 0\text{ V}$			2.2	V
$I_{RM}$	max. reverse recovery current	$V_R = 300\text{ V}$ $di_f/dt = -400\text{ A}/\mu\text{s}$ $I_F = 20\text{ A}; V_{GE} = 0\text{ V}$				
$t_{rr}$	reverse recovery time					
$E_{rec(off)}$	reverse recovery energy					
$R_{thJC}$	thermal resistance junction to case	(per diode)			1.6	K/W
$R_{thCH}$	thermal resistance case to heatsink	(per diode)			0.55	K/W

 $T_C = 25^{\circ}\text{C}$  unless otherwise stated



**Brake Chopper T7**

Symbol	Definitions	Conditions	Ratings			Unit
			min.	typ.	max.	
$V_{CES}$	collector emitter voltage	$T_{VJ} = 25^{\circ}\text{C to } 150^{\circ}\text{C}$			600	V
$V_{GES}$	max. DC gate voltage	continuous			$\pm 20$	V
$V_{GEM}$	max. transient collector gate voltage	transient			$\pm 30$	V
$I_{C25}$	collector current	$T_C = 25^{\circ}\text{C}$			19	A
$I_{C80}$		$T_C = 80^{\circ}\text{C}$			14	A
$P_{tot}$	total power dissipation	$T_C = 25^{\circ}\text{C}$			75	W
$V_{CE(sat)}$	collector emitter saturation voltage	$I_C = 10\text{ A}; V_{GE} = 15\text{ V}$			2.0 2.25	V V
$V_{GE(th)}$	gate emitter threshold voltage	$I_C = 0.35\text{ mA}; V_{GE} = V_{CE}$	3		5	V
$I_{CES}$	collector emitter leakage current	$V_{CE} = V_{CES}; V_{GE} = 0\text{ V}$			0.8	mA mA
$I_{GES}$	gate emitter leakage current	$V_{CE} = 0\text{ V}; V_{GE} = \pm 20\text{ V}$			100	nA
$C_{ies}$	input capacitance	$V_{CE} = 25\text{ V}; V_{GE} = 0\text{ V}; f = 1\text{ MHz}$			600	pF
$Q_{G(on)}$	total gate charge	$V_{CE} = 300\text{ V}; V_{GE} = 15\text{ V}; I_C = 10\text{ A}$			39	nC
$t_{d(on)}$	turn-on delay time	inductive load $V_{CE} = 300\text{ V}; I_C = 10\text{ A}$ $V_{GE} = \pm 15\text{ V}; R_G = 82\ \Omega$				
$t_r$	current rise time					
$t_{d(off)}$	turn-off delay time					
$t_f$	current fall time					
$E_{on}$	turn-on energy per pulse					
$E_{off}$	turn-off energy per pulse					
$I_{CM}$	reverse bias safe operating area	RBSOA; $V_{GE} = \pm 15\text{ V}; R_G = 82\ \Omega$ $L = 100\ \mu\text{H};$ clamped induct. load $V_{CEmax} = V_{CES} - L_S \cdot di/dt$			20	A
$t_{SC}$ (SCSOA)	short circuit safe operating area	$V_{CE} = 600\text{ V}; V_{GE} = \pm 15\text{ V};$ $R_G = 82\ \Omega;$ non-repetitive			10	$\mu\text{s}$
$R_{thJC}$	thermal resistance junction to case	(per IGBT)			1.7	K/W
$R_{thCH}$	thermal resistance case to heatsink	(per IGBT)			0.55	K/W

**Brake Chopper D7**

Symbol	Definitions	Conditions	Ratings			Unit
			min.	typ.	max.	
$V_{RRM}$	max. repetitive reverse voltage	$T_{VJ} = 150^{\circ}\text{C}$			600	V
$I_{F25}$	forward current	$T_C = 25^{\circ}\text{C}$			21	A
$I_{F80}$		$T_C = 80^{\circ}\text{C}$			14	A
$V_F$	forward voltage	$I_F = 10\text{ A}; V_{GE} = 0\text{ V}$			2.1	V
					1.4	V
$I_R$	reverse current	$V_R = V_{RRM}$			0.06	mA mA
$I_{RM}$	max. reverse recovery current	$V_R = 300\text{ V}; I_F = 10\text{ A}$ $di_f/dt = -400\text{ A}/\mu\text{s}$			12	A
$t_{rr}$	reverse recovery time		$T_{VJ} = 100^{\circ}\text{C}$			85
$R_{thJC}$	thermal resistance junction to case	(per diode)			2.5	K/W
$R_{thCH}$	thermal resistance case to heatsink	(per diode)			0.85	K/W

 $T_C = 25^{\circ}\text{C}$  unless otherwise stated

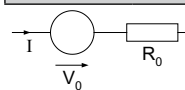
Input Rectifier Bridge D8 - D13					
Symbol	Definitions	Conditions	Maximum Ratings		
$V_{RRM}$	max. repetitive reverse voltage			1600	V
$I_{FAV}$	average forward current	sine 180°	$T_C = 80^\circ\text{C}$	23	A
$I_{DAVM}$	max. average DC output current	rectangular; $d = 1/3$ ; bridge	$T_C = 80^\circ\text{C}$	65	A
$I_{FSM}$	max. surge forward current	$t = 10\text{ ms}$ ; sine 50 Hz	$T_C = 25^\circ\text{C}$	250	A
$P_{tot}$	total power dissipation		$T_C = 25^\circ\text{C}$	65	W

Symbol	Conditions	Characteristic Values				
		min.	typ.	max.		
$V_F$	forward voltage	$I_F = 30\text{ A}$	$T_{VJ} = 25^\circ\text{C}$	1.1	1.45	V
			$T_{VJ} = 125^\circ\text{C}$	1.2		V
$I_R$	reverse current	$V_R = V_{RRM}$	$T_{VJ} = 25^\circ\text{C}$		0.02	mA
			$T_{VJ} = 125^\circ\text{C}$	0.4		mA
$R_{thJC}$	thermal resistance junction to case	(per diode)	$T_{VJ} = 25^\circ\text{C}$		1.9	K/W
$R_{thCH}$	thermal resistance case to heatsink	(per diode)		0.65		K/W

Temperature Sensor NTC							
Symbol	Definitions	Conditions	Ratings			Unit	
			min.	typ.	max.		
$R_{25}$	resistance		$T_C = 25^\circ\text{C}$	4.45	4.7	5.0	k $\Omega$
$B_{25/85}$					3510		K

Module						
Symbol	Definitions	Conditions	Ratings			Unit
			min.	typ.	max.	
$T_{VJ}$	operating temperature		-40		125	$^\circ\text{C}$
$T_{VJM}$	max. virtual junction temperature				150	$^\circ\text{C}$
$T_{stg}$	storage temperature		-40		125	$^\circ\text{C}$
$V_{ISOL}$	isolation voltage	$I_{ISOL} \leq 1\text{ mA}$ ; 50/60 Hz			2500	V~
$M_d$	mounting torque	(M4)	2.0		2.2	Nm
$d_S$	creep distance on surface		12.7			mm
$d_A$	strike distance through air		12.7			mm
<b>Weight</b>				40		g

### Equivalent Circuits for Simulation

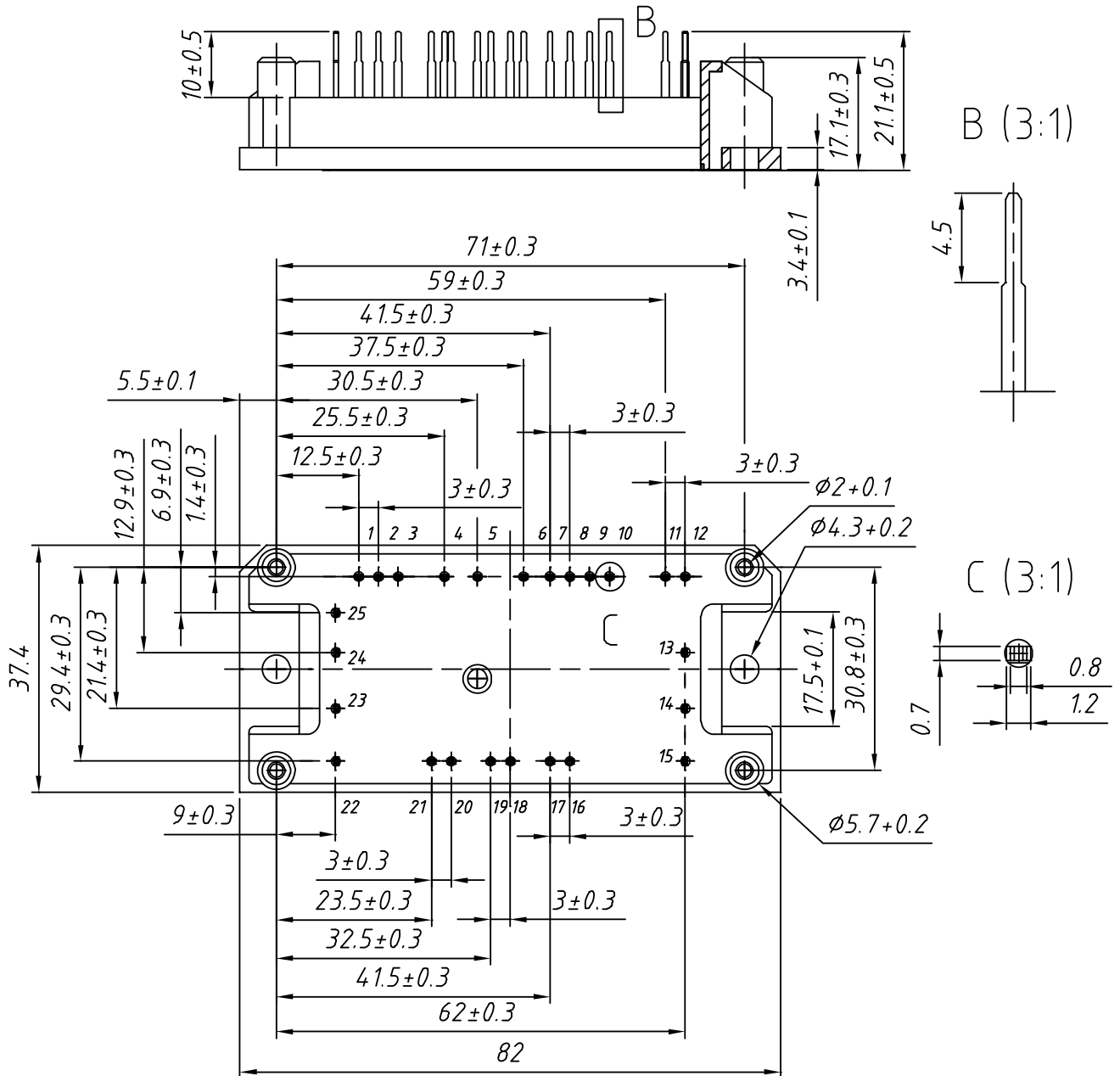


Symbol	Definitions	Conditions	Ratings			Unit
			min.	typ.	max.	
$V_0$	rectifier diode	D8 - D13	$T_{VJ} = 125^\circ\text{C}$	0.90		V
$R_0$				12		m $\Omega$
$V_0$	IGBT	T1 - T6	$T_{VJ} = 125^\circ\text{C}$	1.0		V
$R_0$				50		m $\Omega$
$V_0$	free wheeling diode	D1 - D6	$T_{VJ} = 125^\circ\text{C}$	1.25		V
$R_0$				13		m $\Omega$
$V_0$	IGBT	T7	$T_{VJ} = 125^\circ\text{C}$	1.0		V
$R_0$				110		m $\Omega$
$V_0$	free wheeling diode	D7	$T_{VJ} = 125^\circ\text{C}$	1.25		V
$R_0$				26		m $\Omega$

$T_C = 25^\circ\text{C}$  unless otherwise stated

## Outline Drawing

Dimensions in mm (1 mm = 0.0394")



## Product Marking

Ordering	Part Name	Marking on Product	Delivering Mode	Base Qty	Ordering Code
Standard	MUBW 25-06A6K	MUBW25-06A6K	Box	10	500 110