



Chipsmall Limited consists of a professional team with an average of over 10 year of expertise in the distribution of electronic components. Based in Hongkong, we have already established firm and mutual-benefit business relationships with customers from,Europe,America and south Asia,supplying obsolete and hard-to-find components to meet their specific needs.

With the principle of “Quality Parts,Customers Priority,Honest Operation,and Considerate Service”,our business mainly focus on the distribution of electronic components. Line cards we deal with include Microchip,ALPS,ROHM,Xilinx,Pulse,ON,Everlight and Freescale. Main products comprise IC,Modules,Potentiometer,IC Socket,Relay,Connector.Our parts cover such applications as commercial,industrial, and automotives areas.

We are looking forward to setting up business relationship with you and hope to provide you with the best service and solution. Let us make a better world for our industry!



Contact us

Tel: +86-755-8981 8866 Fax: +86-755-8427 6832

Email & Skype: info@chipsmall.com Web: www.chipsmall.com

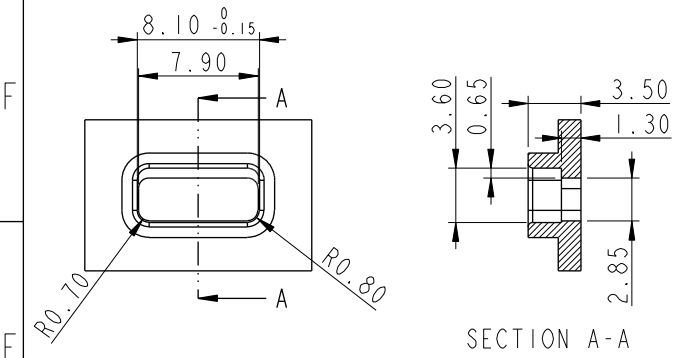
Address: A1208, Overseas Decoration Building, #122 Zhenhua RD., Futian, Shenzhen, China



THIS DOCUMENT IS SUBJECT TO CHANGE WITHOUT NOTICE. IT IS CONFIDENTIAL AND A PROPERTY OF Amphenol LTW. DISCLOSURE TO THIRD PARTY HAS TO BE AUTHORIZED BY Amphenol LTW.

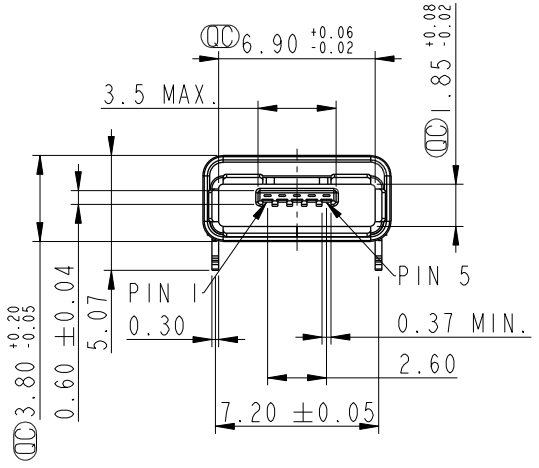
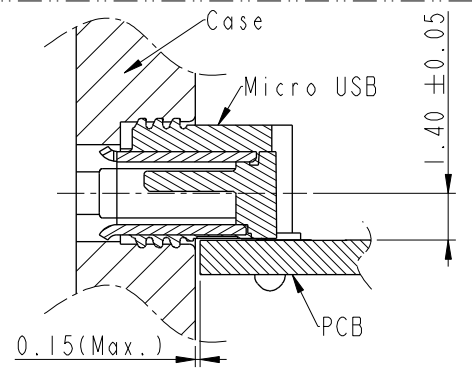
REV.	ECN NO.	DATE	SIGN	DESCRIPTION
A	Initial Release	2016/07/25	Jason Yu	New Item
B	LEN1681212~5	2016/08/18	Jason Yu	Add Dimension
C	LEN1790259~62	2017/09/15	Ruru	RoHS Label and blue and white label merger

ALTW
CONFIDENTIAL
 2017-09-15
R&D DEPT.



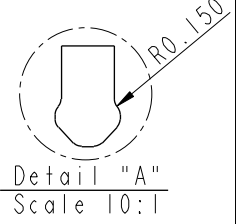
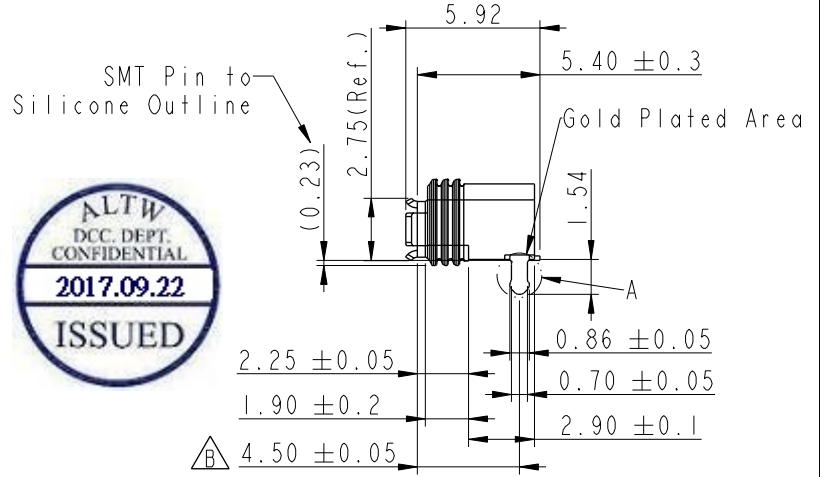
SECTION A-A

TOLERANCE Recommended Case Cut Out
 .XX±0.05 SCALE 2:1

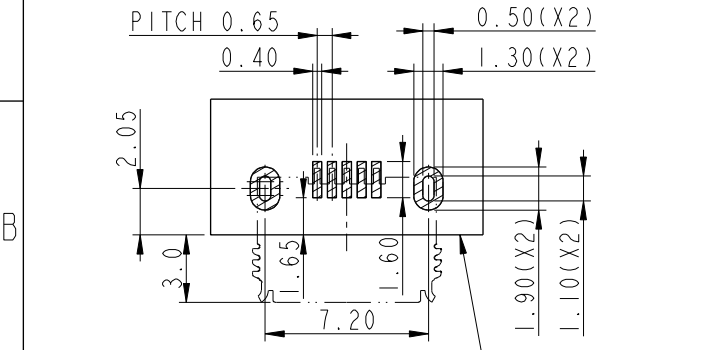


MUC-20PFFR-JSXX02

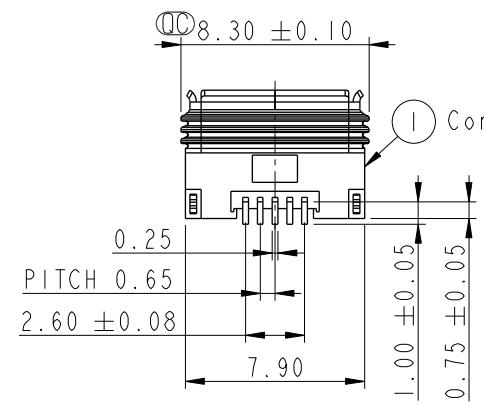
ALTW
DCC. DEPT.
CONFIDENTIAL
 2017.09.22
ISSUED



Detail "A"
 Scale 10:1



TOLERANCE .XX±0.05
 PCB Layout SCALE 2:1
 PCB front edge



- †70: 1PX7 (1M depth of water in 30min)
- †8A: 1PX8 (1M depth of water in 24hrs)
- †8B: 1PX8 (5M depth of water in 24hrs)
- †8C: 1PX8 (10M depth of water in 3hrs)

- Note:
- * (⊕) Important Dimensions To Check
 - * Current: 1&5pin(1.8A), 2~4 pin(1.0A)
 - * Housing: Nylon, Black
 - * Terminal: Copper Alloy, Gold Plated
 - * Shell: Stainless, Gold Plated
 - * Inner Gasket: Silicone, Transparent
 - * Outside Gasket: Silicone, Transparent
 - * PCB Thickness: 1.2 MAX.
 - * For Micro USB A & B type plug use
 - * SMD Temperature & Time: 260°C / 5 sec

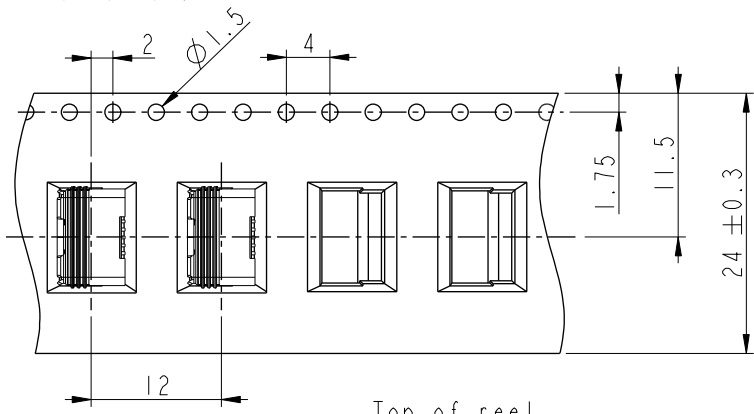
UNIT: mm			TITLE WATERPROOF MICRO-AB USB PANEL 20MAB F CONN JACK LENGHT PIN			
TOLERANCE .X ±0.25 .XX ±0.1 .XXX ±0.05 ANGLES ±1°	SCALE 3:1	SIZE A4	SHEET 1	OF 4	REV. C	WC-REV. A.6
			⊕: Inspection item			

Amphenol LTW
 安費諾亮泰企業股份有限公司

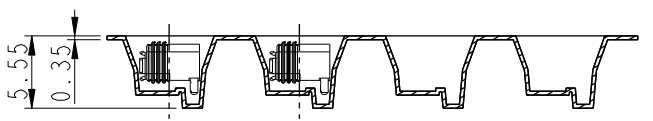
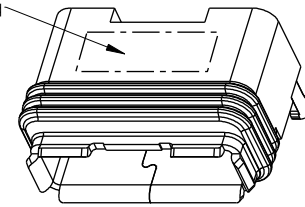
ITEM NO	DRAWN BY	DATE
DWG NO MUC-20PFFR-JSXX02	Ruru	2017-09-15
CUSTOMER	CHECKED BY	DATE
ALTW	Rita	2017-09-15
	APPROVED BY	DATE
	Max	2017-09-15

THIS DOCUMENT IS SUBJECT TO CHANGE WITHOUT NOTICE. IT IS CONFIDENTIAL AND A PROPERTY OF Amphenol LTW. DISCLOSURE TO THIRD PARTY HAS TO BE AUTHORIZED BY Amphenol LTW.

Tape & Reel Information:

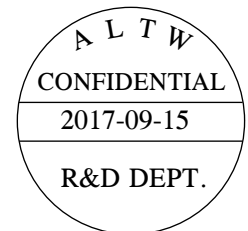
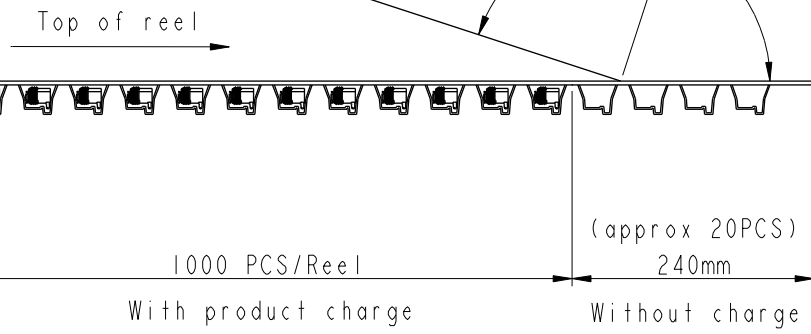
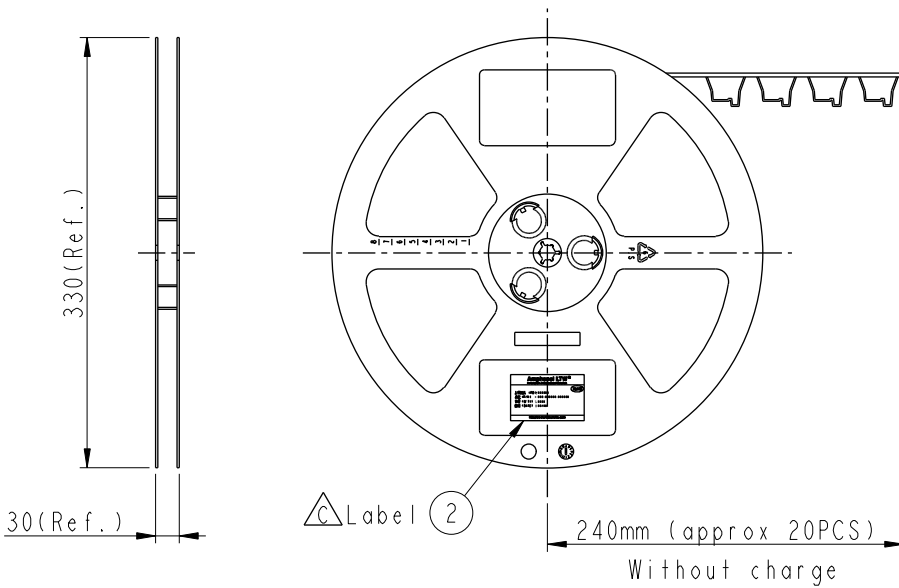


SMT Nozzle Area
(6.0x2.0mm)



Wide cover tape ground
out periphery 1 turn

Peeling strenght 0.1~1.3N Max.
(300±10mm/min)
Peeling angle
165~180°



UNIT: mm		
TOLERANCE		
.X	±0.25	
.XX	±0.1	
.XXX	±0.05	
ANGLES	±1°	

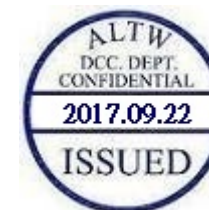
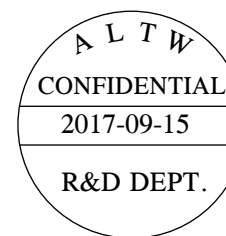
TITLE WATERPROOF MICRO-AB USB PANL 20MAB F CONN JACK LENGHT PIN			
SCALE Free	SIZE A4	SHEET 2 OF 4	
REV. C	WC-REV. A.6	QC: Inspection item	

Amphenol LTW
安費諾亮泰企業股份有限公司

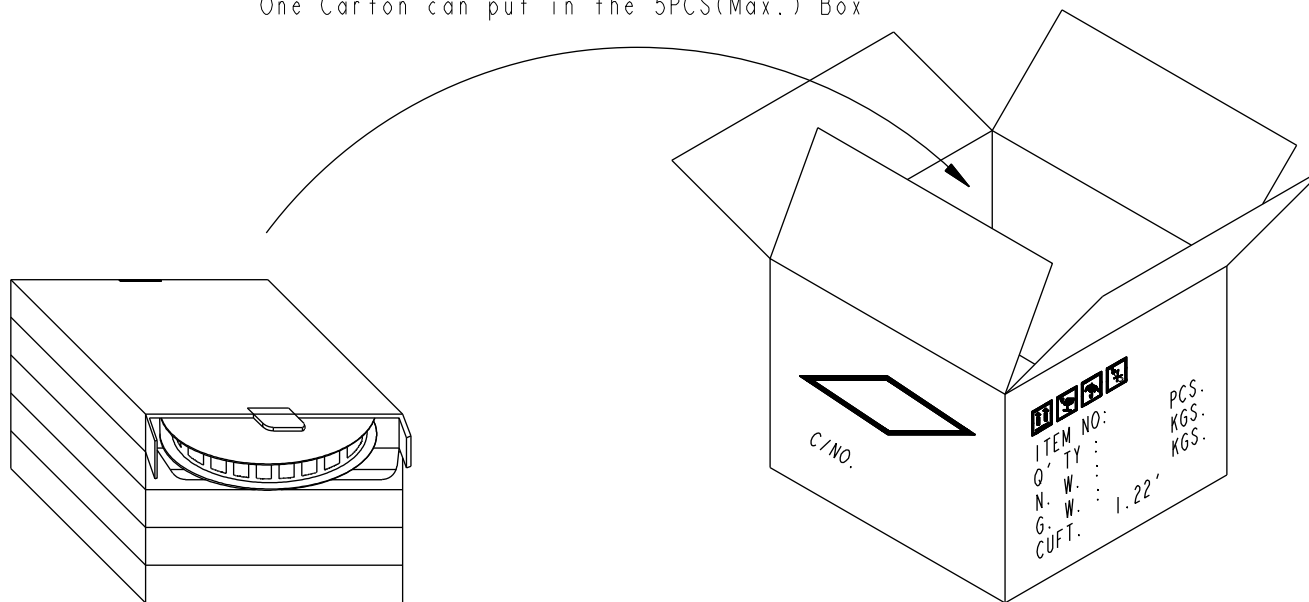
ITEM NO	DRAWN BY Ruru	DATE 2017-09-15
DWG NO MUC-20PFFR-JSXX02	CHECKED BY Rita	DATE 2017-09-15
CUSTOMER ALTW	APPROVED BY Max	DATE 2017-09-15

THIS DOCUMENT IS SUBJECT TO CHANGE WITHOUT NOTICE. IT IS CONFIDENTIAL AND A PROPERTY OF Amphenol LTW. DISCLOSURE TO THIRD PARTY HAS TO BE AUTHORIZED BY Amphenol LTW.

Package :



One Carton can put in the 5PCS(Max.) Box

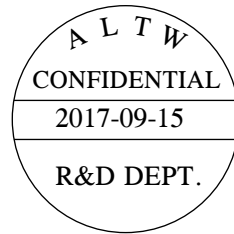


1000 PCS(Connector)/Tape&Reel, Put in a Box

(5,000 PCS/Carton)

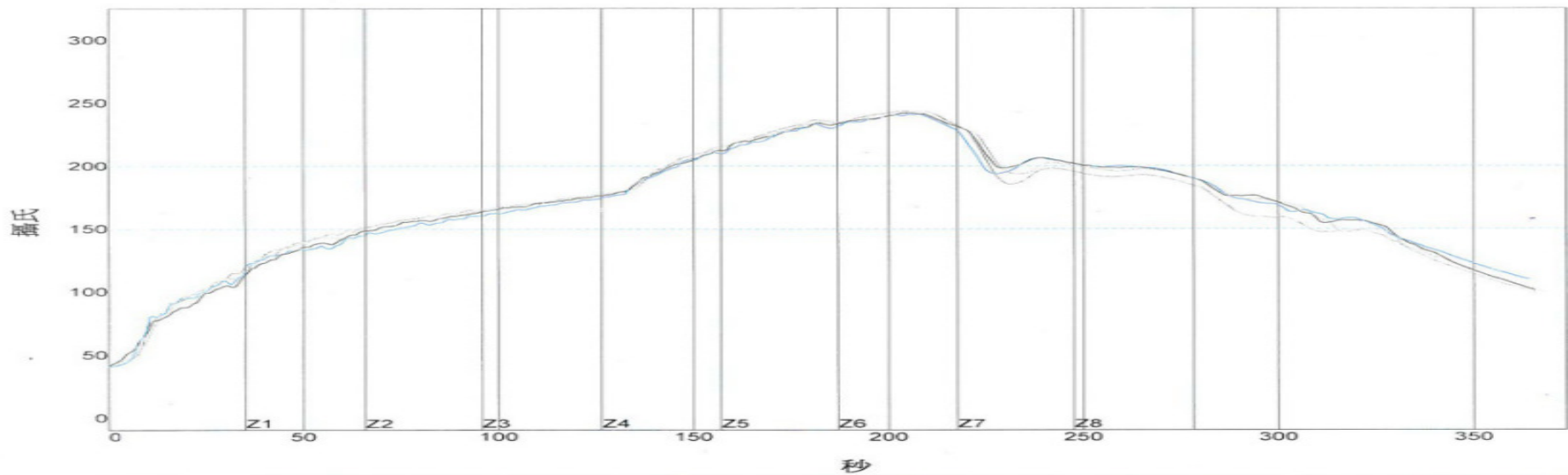
A	UNIT:mm			TITLE WATERPROOF MICRO-AB USB PANEL 20MAB F CONN JACK LENGHT PIN				Amphenol LTW		ITEM NO	DRAWN BY	DATE
	TOLERANCE .X ±0.25 .XX ±0.1 .XXX ±0.05 ANGLES ±1°	SCALE Free	SIZE A4	SHEET 3 OF 4	安費諾亮泰企業股份有限公司		DWG NO	MUC-20PFFR-JSXX02	CHECKED BY	Rita	DATE	2017-09-15
	REV. C	WC-REV. A.3	☉: Inspection item		CUSTOMER		ALTW	APPROVED BY	Max	DATE	2017-09-15	

For SMT Process Recommend:



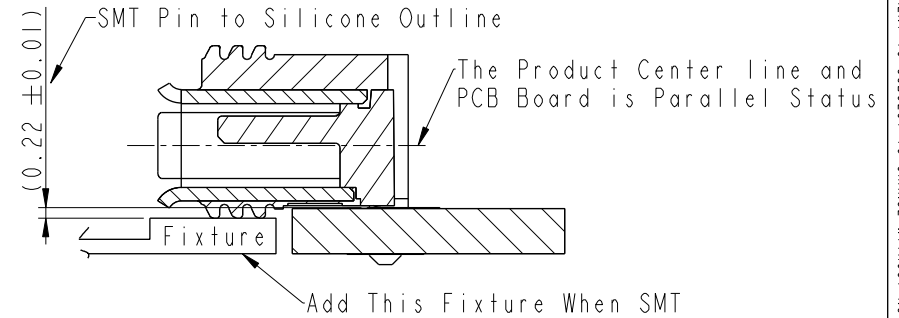
About IR Reflow Profile:

溫度設置 (攝氏)	1	2	3	4	5	6	7	8
溫區								
上溫區	160	180	180	180	190	245	265	260
下溫區	160	180	180	180	190	245	265	260
傳送帶速度 (米/分):	0.95							



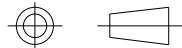
PWI= 61%	最高上升斜率	最高下降斜率	恢復時間150至200C	回流時間 /220C	最高溫度					
CON1	2.81	-6%	-2.33	33%	80.21	-33%	60.91	-30%	242.36	-18%
CON2	2.38	-21%	-2.14	43%	75.61	-48%	57.41	-42%	241.74	-22%
CON3	2.81	-6%	-2.84	8%	77.79	-41%	58.66	-38%	243.44	-10%
CON4	2.83	-6%	-2.34	33%	72.24	-59%	51.64	-61%	240.92	-27%
溫差	0.45		0.70		7.97		9.27		2.52	

About Fixture:



Add This Fixture When SMT

UNIT: mm



TITLE WATERPROOF MICRO-AB USB PANEL 20MAB F CONN JACK LENGHT PIN

Amphenol LTW
安費諾亮泰企業股份有限公司

ITEM NO	DRAWN BY	DATE
DWG NO	CHECKED BY	DATE
CUSTOMER	APPROVED BY	DATE
ALTW	Ruru	2017-09-15
	Rita	2017-09-15
	Max	2017-09-15

SCALE	SIZE	SHEET	OF
Free	A4	4	4
REV.	WC-REV.	☉: Inspection item	
C	A.3		

THIS DOCUMENT IS SUBJECT TO CHANGE WITHOUT NOTICE. IT IS CONFIDENTIAL AND A PROPERTY OF Amphenol LTW. DISCLOSURE TO THIRD PARTY HAS TO BE AUTHORIZED BY Amphenol LTW.