



Chipsmall Limited consists of a professional team with an average of over 10 year of expertise in the distribution of electronic components. Based in Hongkong, we have already established firm and mutual-benefit business relationships with customers from,Europe,America and south Asia,supplying obsolete and hard-to-find components to meet their specific needs.

With the principle of “Quality Parts,Customers Priority,Honest Operation,and Considerate Service”,our business mainly focus on the distribution of electronic components. Line cards we deal with include Microchip,ALPS,ROHM,Xilinx,Pulse,ON,Everlight and Freescale. Main products comprise IC,Modules,Potentiometer,IC Socket,Relay,Connector.Our parts cover such applications as commercial,industrial, and automotives areas.

We are looking forward to setting up business relationship with you and hope to provide you with the best service and solution. Let us make a better world for our industry!



Contact us

Tel: +86-755-8981 8866 Fax: +86-755-8427 6832

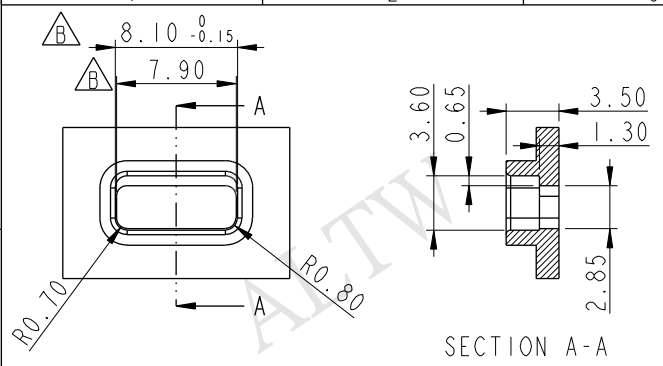
Email & Skype: info@chipsmall.com Web: www.chipsmall.com

Address: A1208, Overseas Decoration Building, #122 Zhenhua RD., Futian, Shenzhen, China

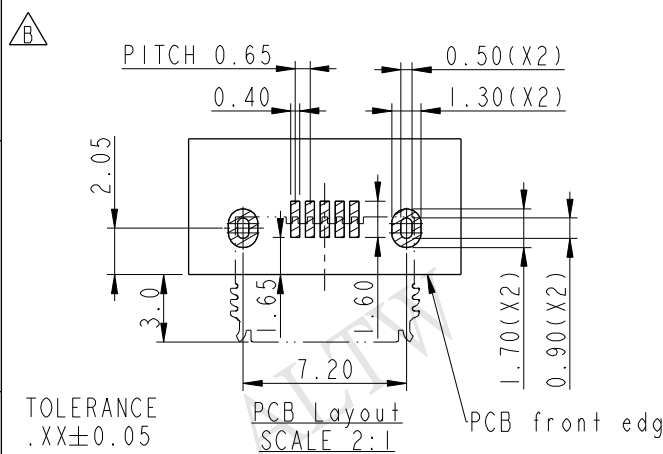
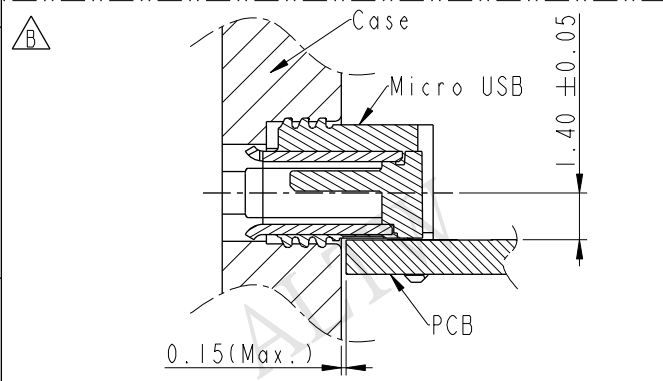


THIS DOCUMENT IS SUBJECT TO CHANGE WITHOUT NOTICE. IT IS CONFIDENTIAL AND A PROPERTY OF AMPHENOL LTW. DISCLOSURE TO THIRD PARTY HAS TO BE AUTHORIZED BY AMPHENOL LTW.

REV.	ECN NO.	DATE	SIGN	DESCRIPTION
A	Initial Release	2014/09/01	Jason.Yu	New Item
B	LEN1510438~41	2015/01/13	Jason.Yu	Modify PCB Layout & T&R & Note



TOLERANCE Recommended Case Cut Out
.XX±0.05 SCALE 2:1



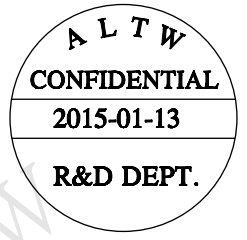
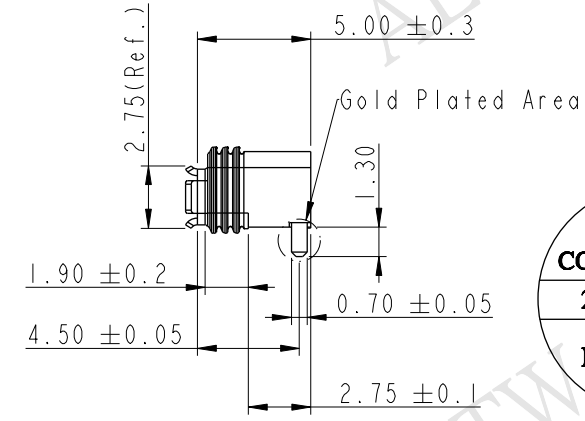
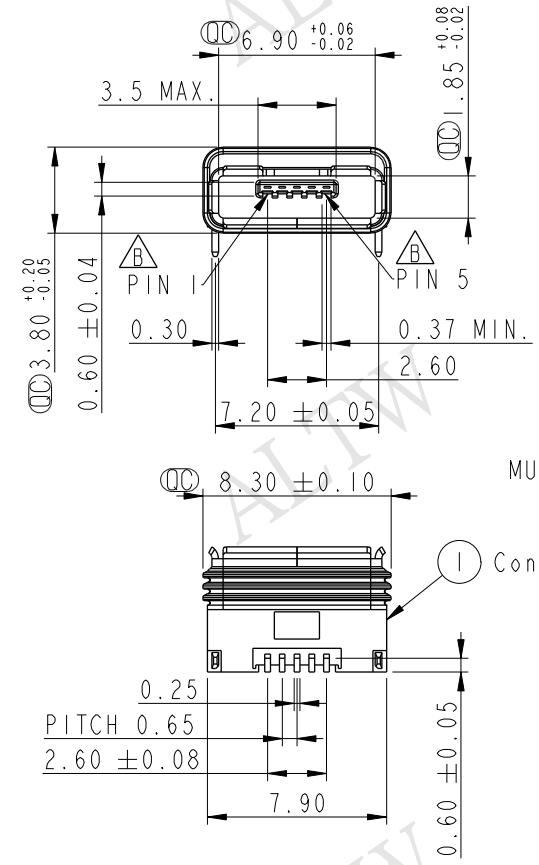
TOLERANCE .XX±0.05
SCALE 2:1

UNIT: mm

TOLERANCE	
.X	±0.25
.XX	±0.1
.XXX	±0.05
ANGLES	±1°

TITLE MICRO USB A&B SMD TYPE			
SCALE	3:1	SIZE	A4
SHEET	1	OF	3
REV.	B	WC-REV.	A.6
◎: Inspection item			

Amphenol LTW
安費諾亮泰企業股份有限公司



MUC-20PFFR-JSXX01

- ↑
- †70: IPX7(1M depth of water in 30min)
- †8A: IPX8(1M depth of water in 24hrs)
- †8B: IPX8(5M depth of water in 24hrs)
- †8C: IPX8(10M depth of water in 3hrs)

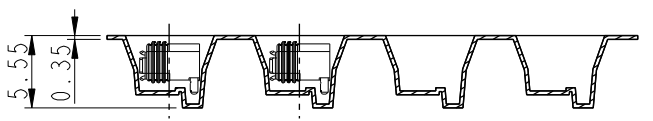
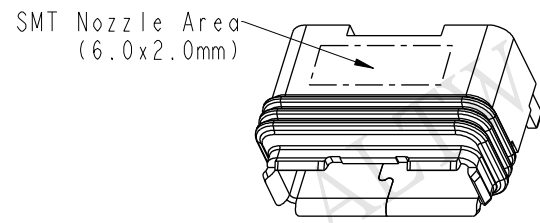
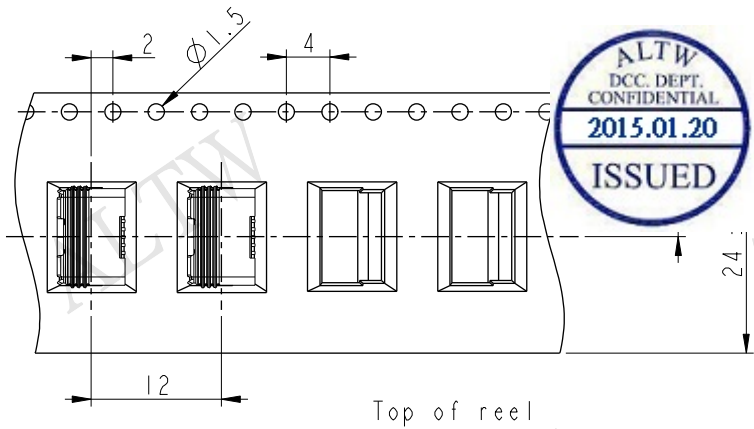
- Note:
- * ◎ Important Dimensions To Check.
 - * Current: 1&5pin(1.8A), 2~4 pin(1.0A)
 - * Housing: Nylon, Black
 - * Terminal: Copper Alloy, Gold Plated
 - * Shell: Stainless, Gold Plated
 - * Inner Gasket: Silicon, Transparent
 - * Outside Gasket: Silicon, Transparent
 - * PCB Thickness: 1.0 MAX.
 - * For Micro USB A & B type plug use

ITEM NO	DRAWN BY	DATE
DWG NO	JASON.YU	2015/01/13
MUC-20PFFR-JSXX01	CHECKED BY	DATE
CUSTOMER	ARIC	2015/01/13
APPROVED BY	WIN	DATE
ALTW	WIN	2015/01/13

A B C D E F

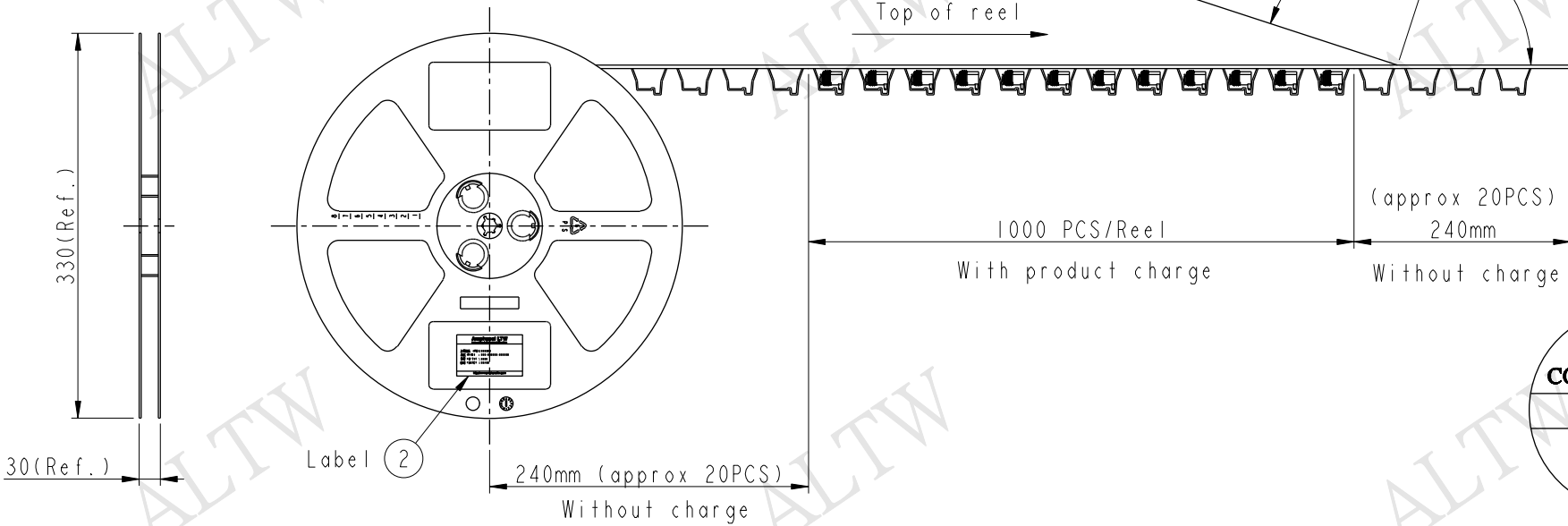
THIS DOCUMENT IS SUBJECT TO CHANGE WITHOUT NOTICE. IT IS CONFIDENTIAL AND A PROPERTY OF AMPHENOL LTW. DISCLOSURE TO THIRD PARTY HAS TO BE AUTHORIZED BY AMPHENOL LTW.

△B



Wide cover tape ground out periphery 1 turn

Peeling strenght 0.1~1.3N Max.
(300±10mm/min)
Peeling angle 165~180°



ALTW
CONFIDENTIAL
2015-01-13
R&D DEPT.

UNIT: mm		
TOLERANCE	.X ±0.25	.XX ±0.1
.XXX ±0.05		
ANGLES	±1°	

TITLE MICRO USB A&B SMD TYPE			
SCALE Free	SIZE A4	SHEET 2 OF 3	
REV. B	WC-REV. A.6	QC: Inspection item	

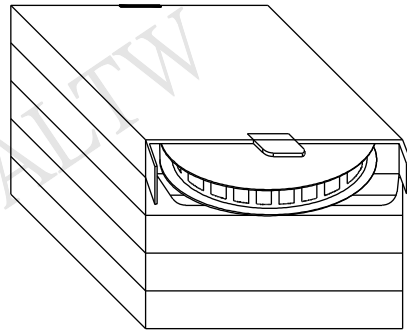
Amphenol LTW
安費諾亮泰企業股份有限公司

ITEM NO	DRAWN BY Jason.Yu	DATE 2015/01/13
DWG NO MUC-20PFFR-JSXX01	CHECKED BY Aric	DATE 2015/01/13
CUSTOMER ALTW	APPROVED BY Win	DATE 2015/01/13

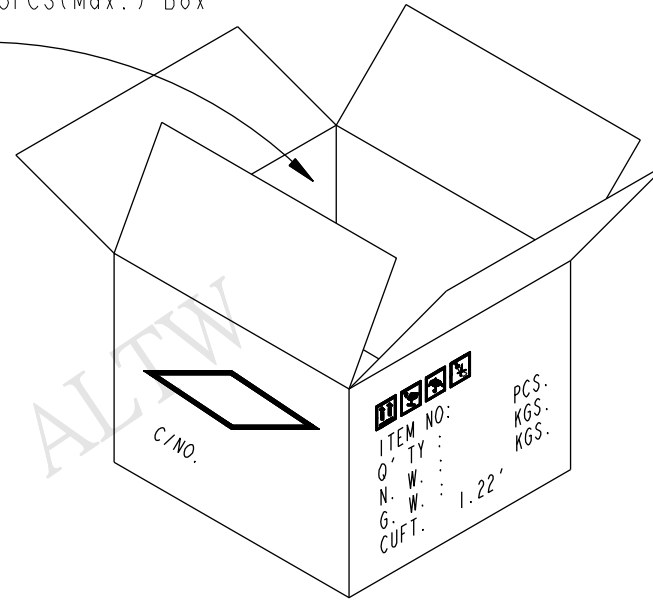
A

Package :

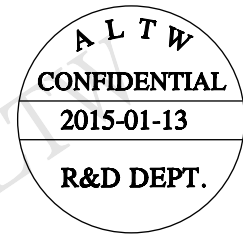
One Carton can put in the 5PCS(Max.) Box



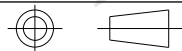
1000 PCS(Connector)/Tape&Reel, Put in a Box



(5,000 PCS/Carton)



UNIT:mm



TOLERANCE
 .X ±0.25
 .XX ±0.1
 .XXX ±0.05
 ANGLES ±1°

TITLE MICRO USB A&B SMD TYPE			
SCALE Free	SIZE A4	SHEET 3 OF 3	
REV. B	WC-REV. A.47	QC: Inspection item	

Amphenol LTW
 安費諾亮泰企業股份有限公司

ITEM NO	DRAWN BY Jason.Yu	DATE 2015/01/13
DWG NO MUC-20PFFR-JSXX01	CHECKED BY Aric	DATE 2015/01/13
CUSTOMER ALTW	APPROVED BY Win	DATE 2015/01/13

THIS DOCUMENT IS SUBJECT TO CHANGE WITHOUT NOTICE. IT IS CONFIDENTIAL AND A PROPERTY OF Amphenol LTW. DISCLOSURE TO THIRD PARTY HAS TO BE AUTHORIZED BY Amphenol LTW.