



Chipsmall Limited consists of a professional team with an average of over 10 year of expertise in the distribution of electronic components. Based in Hongkong, we have already established firm and mutual-benefit business relationships with customers from,Europe,America and south Asia,supplying obsolete and hard-to-find components to meet their specific needs.

With the principle of "Quality Parts,Customers Priority,Honest Operation,and Considerate Service",our business mainly focus on the distribution of electronic components. Line cards we deal with include Microchip,ALPS,ROHM,Xilinx,Pulse,ON,Everlight and Freescale. Main products comprise IC,Modules,Potentiometer,IC Socket,Relay,Connector.Our parts cover such applications as commercial,industrial, and automotives areas.

We are looking forward to setting up business relationship with you and hope to provide you with the best service and solution. Let us make a better world for our industry!



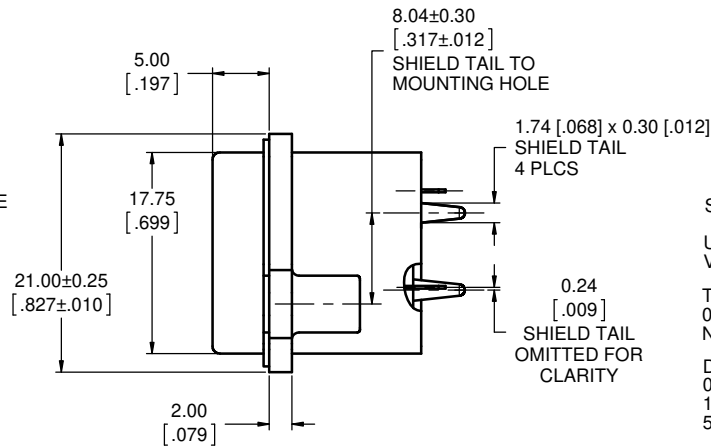
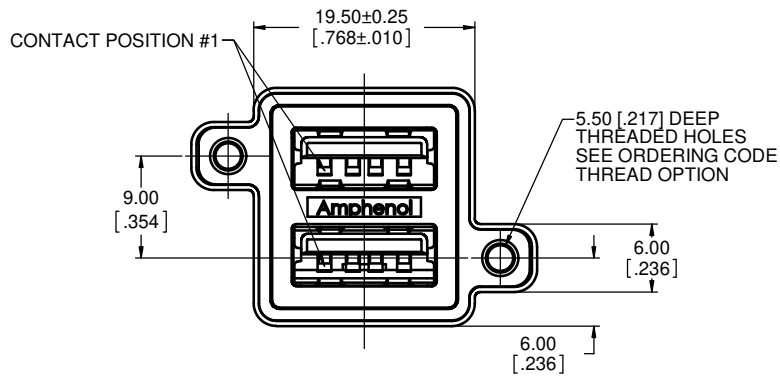
## Contact us

Tel: +86-755-8981 8866 Fax: +86-755-8427 6832

Email & Skype: info@chipsmall.com Web: www.chipsmall.com

Address: A1208, Overseas Decoration Building, #122 Zhenhua RD., Futian, Shenzhen, China





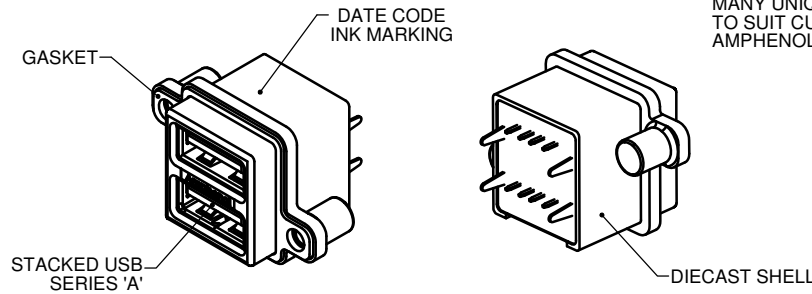
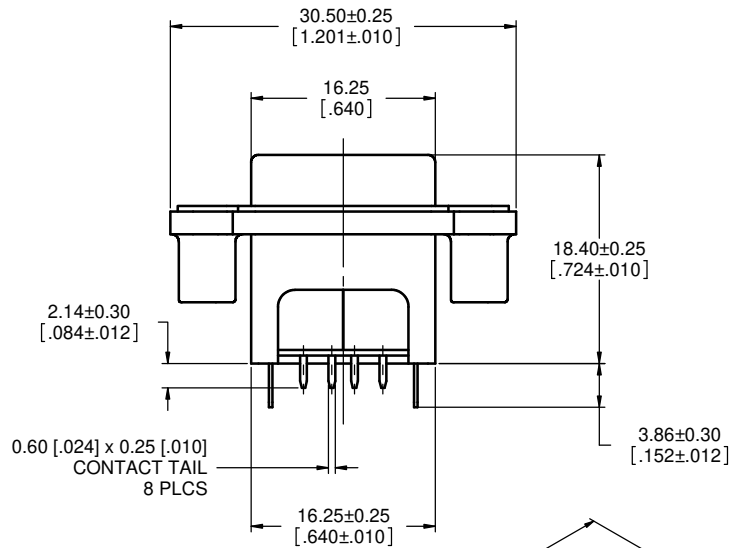
REVISIONS			
REV	DESCRIPTION, ECN, EAR NO.	DATE	APP'D
G	PRODUCT DRAWING (EAR 14057)	MAR21/12	K.L.
H	UPDATED PLATING NOTES	MAY4/12	A.G.

**ORDERING CODE: MUSB-C511-XX**

SERIES, RUGGED USB  
 USB SERIES 'A' RECEPTACLE, STACKED,  
 VERTICAL PCB TAIL  
 THREAD OPTION  
 0 = #4-40 UNC THREAD  
 N = M3 x 0.5 THREAD  
 DUST COVER OPTION  
 0 = NO DUST COVER SUPPLIED  
 1 = WITH GREY DUST COVERS SUPPLIED  
 5 = WITH BLACK DUST COVERS SUPPLIED

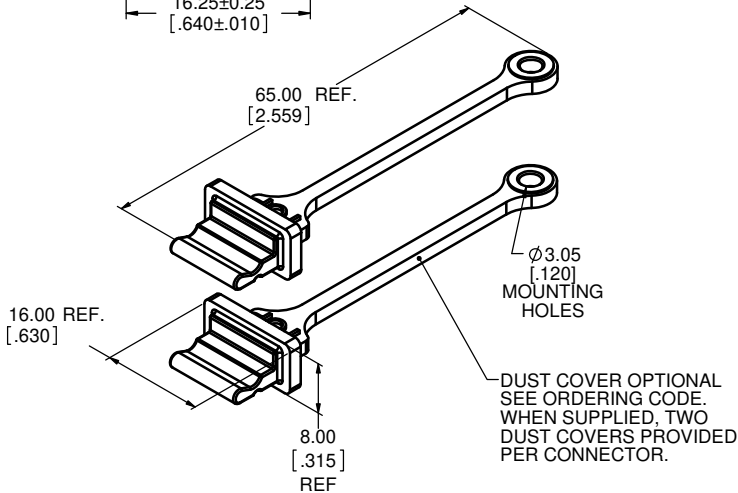
**SPECIAL CONNECTORS**

MANY UNIQUE FEATURES ARE READILY AVAILABLE TO SUIT CUSTOMER REQUIREMENTS. CONSULT WITH AMPHENOL CANADA FOR DETAILS.



**NOTES:**

- MATERIAL:**  
 ALL MATERIALS ARE RoHS COMPLIANT PER EU DIRECTIVE 2002/95/EC AND AMENDMENTS  
 • SHELL - DIECAST ZINC, NICKEL PLATED  
 • CONTACTS - PHOSPHOR BRONZE WITH 0.76µm (30µ") MIN. GOLD OVER 1.27µm (50µ") MIN. NICKEL ON THE MATING AREA AND 2.54µm (100µ") MIN. TIN OVER NICKEL ON THE CONTACT TAILS  
 • INSERTS - ENGINEERING THERMOPLASTIC, GLASS REINFORCED, UL FLAMMABILITY RATING 94V-0, COLOUR: BLACK  
 • GASKET - SILICONE RUBBER, BLACK  
 • USB SHIELD - COPPER ALLOY, NICKEL PLATED  
 • DUST COVER - SILICONE RUBBER WITH NICKEL PLATED BRASS BUSHING. SEE ORDERING CODE FOR COLOUR OPTION.
- ENVIRONMENTAL PERFORMANCE PER IEC 60529 CODE IP67 FOR SEAL BETWEEN MATING AREA AND PCB SIDE OF CONNECTOR. GASKET PROVIDES SEAL TO INSIDE FACE OF ENCLOSURE PANEL.
- CURRENT RATING: 1.5 AMPERES
- CONTACT RESISTANCE: 30 MILLIOHMS MAXIMUM
- OPERATING TEMPERATURE: -40C TO +105C
- DUST COVERS MAY BE ORDERED SEPARATELY. SPECIFY  
 • MUSB-2A111-014BP FOR GREY DUST COVER  
 • MUSB-2A111-024BP FOR BLACK DUST COVER  
 SEE SHEET 2 FOR APPLICATION VIEW.



UNLESS SPECIFIED OTHERWISE	DRAWN	B.COPPING	MAR13/12
PRIMARY UNITS MILLIMETERS	CHECKED		
SECONDARY INCHES	M.E. APP'D		
REFERENCE IN PARENTHESES	Q.A. APP'D		
GENERAL TOLERANCES	DWG APPR.	K.LAMBIE	MAR16/12
1 DECIMAL PLACE	ENG. REL. NO.	EAR 14057	
2 DECIMAL PLACES ±0.15	REF.		
3 DECIMAL PLACES	THIRD ANGLE PROJECTION		
ANGULAR DEGREES			

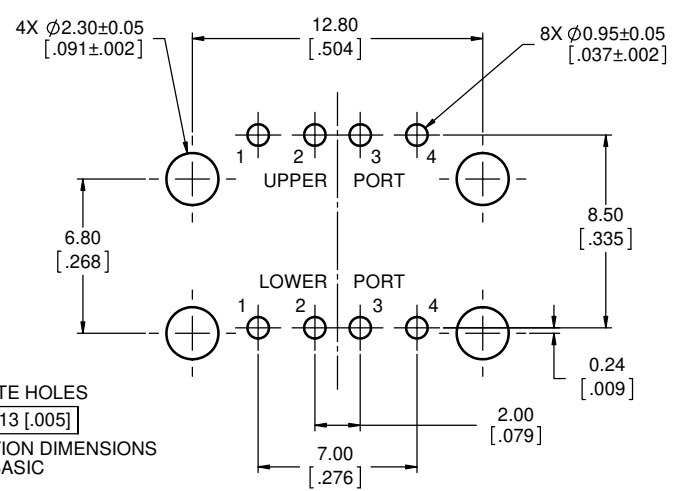
**Amphenol Canada Corp.**  
 www.amphenolcanada.com

MUSB SERIES RUGGED USB RECEPTACLE,  
 STACKED SERIES 'A' INTERFACE, VERTICAL  
 PCB MOUNT, THREAD OPTION, DUST  
 COVER OPTION, RoHS COMPLIANT

P-MUSB-C511-XX

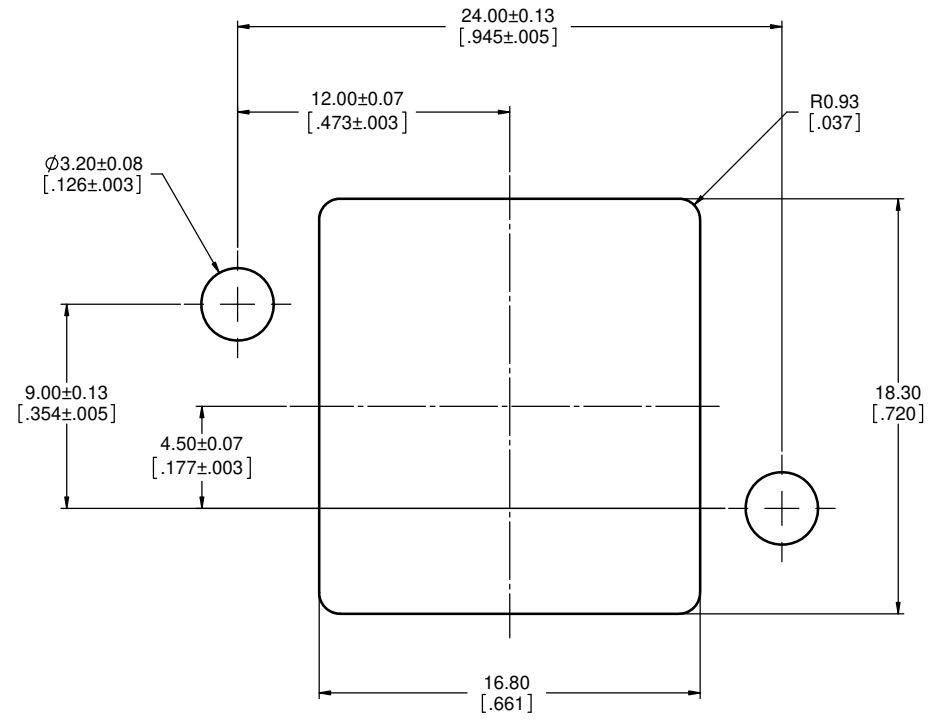
DWG. NO.	REV
	H
CODE ID NO. 03554	DWG SIZE: X
SCALE: 3:1	SHEET 1 OF 2

REVISIONS			
REV	DESCRIPTION, ECN, EAR NO.	DATE	APP'D
G	PRODUCT DRAWING (EAR 14057)	MAR21/12	K.L.
H	UPDATED PLATING NOTES	MAY4/12	A.G.

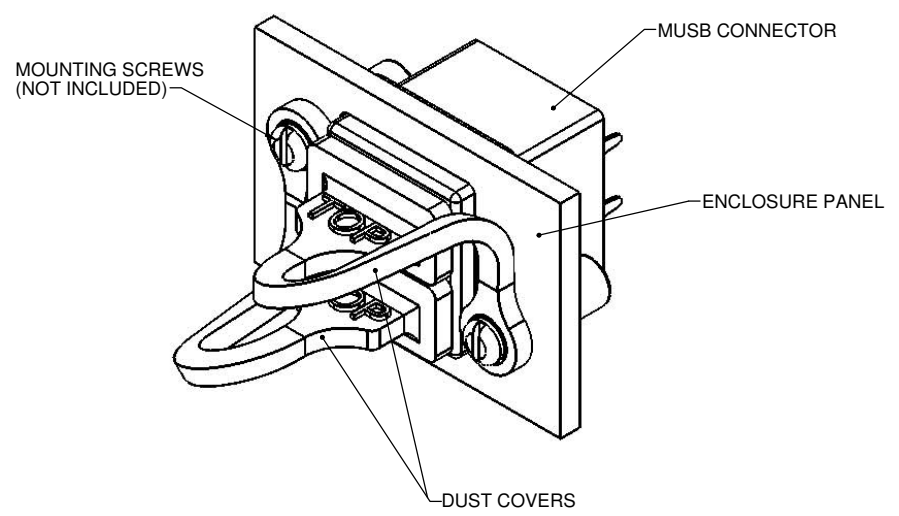


LOCATE HOLES  
 $\varnothing 0.13$  [.005]  
 POSITION DIMENSIONS ARE BASIC

**RECOMMENDED PCB LAYOUT**  
 COMPONENT SIDE OF BOARD



**RECOMMENDED PANEL CUTOUT**  
 OUTSIDE VIEW OF PANEL



**DUST COVER APPLICATION**



UNLESS SPECIFIED OTHERWISE	DRAWN	B.COPPING	MAR13/12
PRIMARY UNITS MILLIMETERS	CHECKED		
SECONDARY UNITS INCHES	M.E. APP'D		
REFERENCE IN PARENTHESES	Q.A. APP'D		
GENERAL TOLERANCES	DWG APPR.	K.LAMBIE	MAR16/12
1 DECIMAL PLACE	ENG. REL. NO.	EAR 14057	
2 DECIMAL PLACES $\pm 0.15$	REF.		
3 DECIMAL PLACES	THIRD ANGLE PROJECTION		
ANGULAR DEGREES	DO NOT SCALE DRAWING		

<b>Amphenol Canada Corp.</b> www.amphenolcanada.com			
MUSB SERIES RUGGED USB RECEPTACLE, STACKED SERIES 'A' INTERFACE, VERTICAL PCB MOUNT, THREAD OPTION, DUST COVER OPTION, RoHS COMPLIANT			
DWG. NO.	P-MUSB-C511-XX		REV H
CODE ID NO. 03554	DWG SIZE: X	SCALE: 6:1	SHEET 2 OF 2