



Chipsmall Limited consists of a professional team with an average of over 10 year of expertise in the distribution of electronic components. Based in Hongkong, we have already established firm and mutual-benefit business relationships with customers from,Europe,America and south Asia,supplying obsolete and hard-to-find components to meet their specific needs.

With the principle of "Quality Parts,Customers Priority,Honest Operation,and Considerate Service",our business mainly focus on the distribution of electronic components. Line cards we deal with include Microchip,ALPS,ROHM,Xilinx,Pulse,ON,Everlight and Freescale. Main products comprise IC,Modules,Potentiometer,IC Socket,Relay,Connector.Our parts cover such applications as commercial,industrial, and automotives areas.

We are looking forward to setting up business relationship with you and hope to provide you with the best service and solution. Let us make a better world for our industry!



Contact us

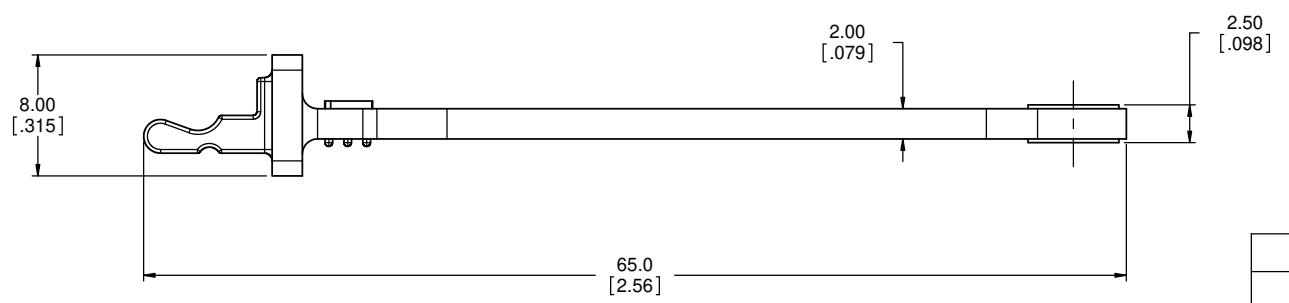
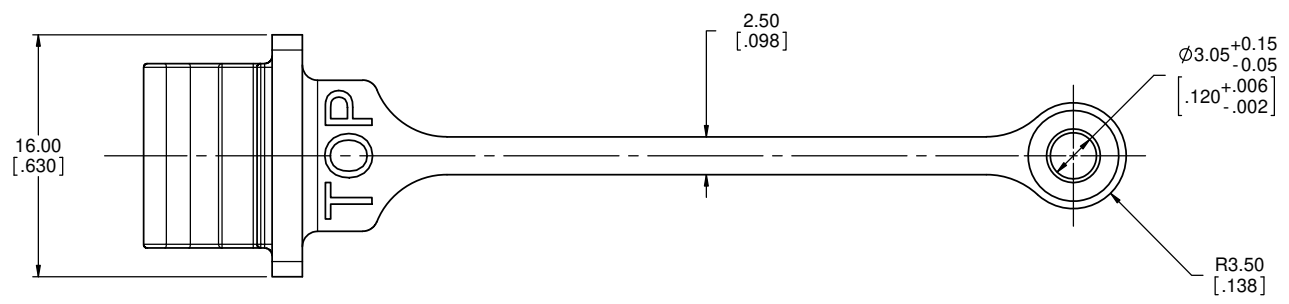
Tel: +86-755-8981 8866 Fax: +86-755-8427 6832

Email & Skype: info@chipsmall.com Web: www.chipsmall.com

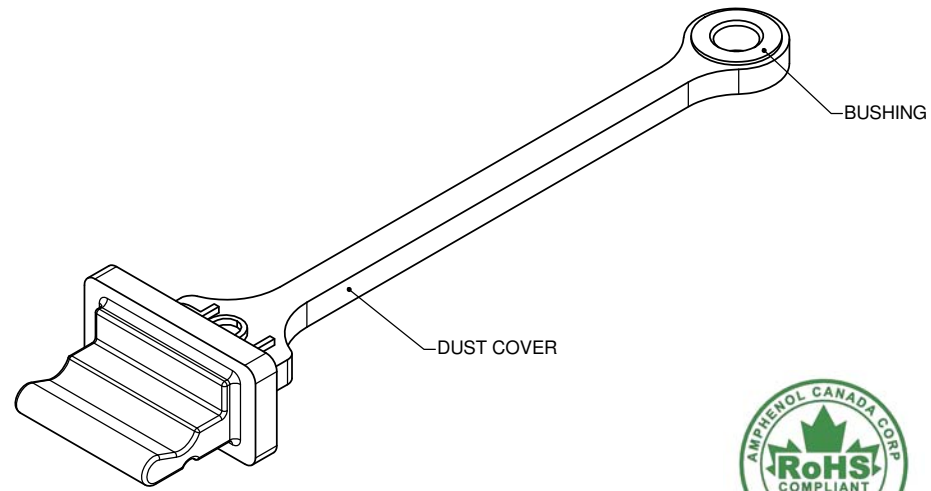
Address: A1208, Overseas Decoration Building, #122 Zhenhua RD., Futian, Shenzhen, China



REVISIONS			
REV	DESCRIPTION, ECN, EAR NO.	DATE	APP'D
D	PRODUCT DRAWING (EAR 14230)	MAR12/14	K.L.



PART NUMBER	COLOUR
MUSB-2A111-014BP	GREY
MUSB-2A111-024BP	BLACK



NOTES:

- MATERIAL:
 - DUST COVER - SILICONE RUBBER, COLOR - SEE TABLE 1.
 - BUSHING - BRASS, NICKEL PLATED.
- OPERATING TEMPERATURE: -40°C TO +105°C.
- PART IS ROHS COMPLIANT PER EU DIRECTIVE 2011/65/EU AND AMENDMENTS.
- SEE SHEET 2 FOR APPLICATION VIEWS.



UNLESS SPECIFIED OTHERWISE	DRAWN	A.ESPIE	FEB19/14
PRIMARY UNITS MILLIMETERS	CHECKED		
SECONDARY UNITS INCHES	M.E. APP'D		
REFERENCE IN PARENTHESES	Q.A. APP'D		
GENERAL TOLERANCES	DWG APPR.	K.LAMBIE	MAR12/14
1 DECIMAL PLACE ±1.0	ENG. REL. NO.	EAR 14230	
2 DECIMAL PLACES ±0.30	REF.		
3 DECIMAL PLACES	THIRD ANGLE PROJECTION		
ANGULAR DEGREES	DO NOT SCALE DRAWING		

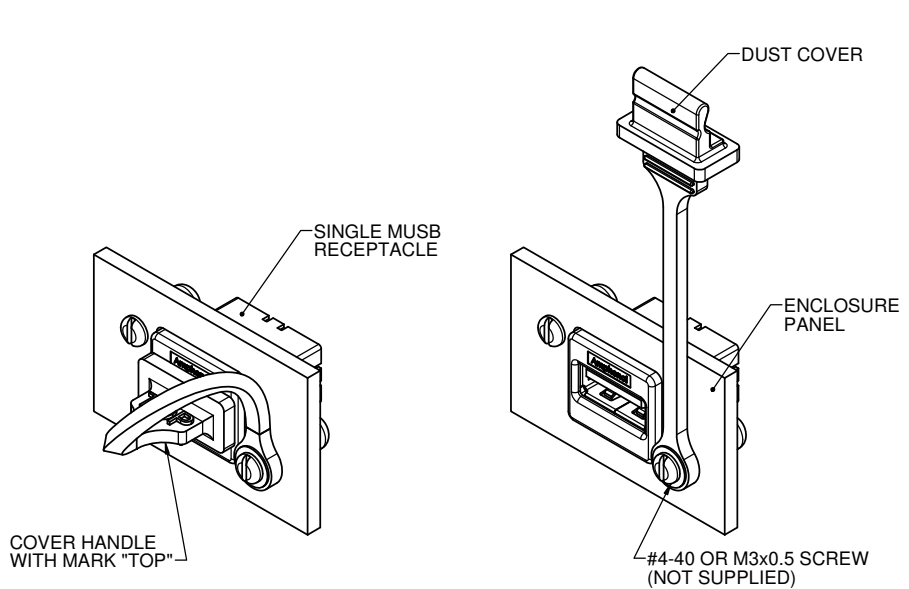
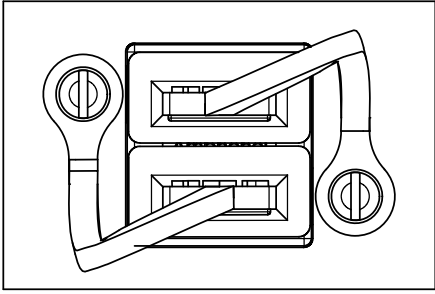
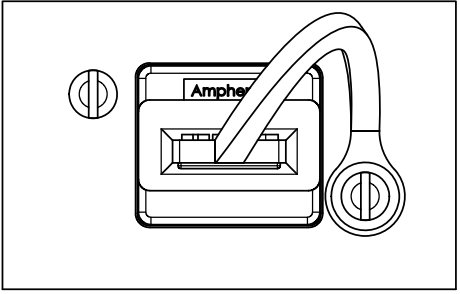
Amphenol Canada Corp.
www.amphenolcanada.com

MUSB SERIES, DUST COVER FOR RUGGED USB TYPE A, BULK PACKED, RoHS COMPLIANT

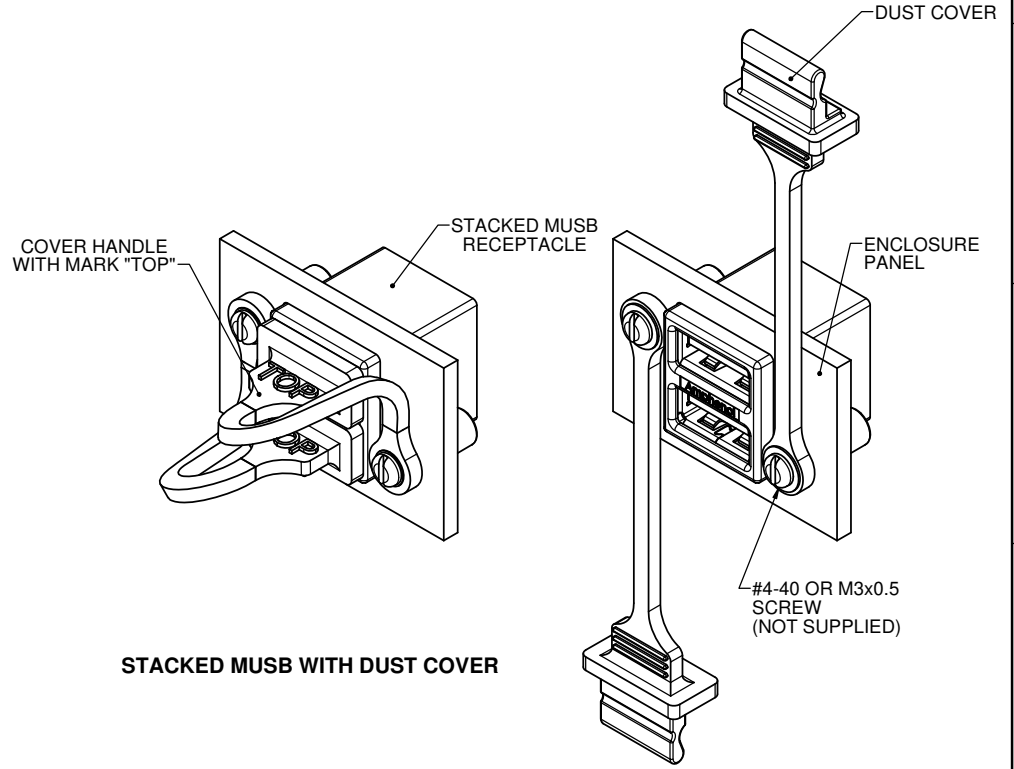
DWG. NO. P-MUSB-2A111-0X4BP REV D

CODE ID NO. 03554 DWG SIZE: X SCALE: 4:1 SHEET 1 OF 2

REVISIONS			
REV	DESCRIPTION, ECN, EAR NO.	DATE	APP'D
D	PRODUCT DRAWING (EAR 14230)	MAR12/14	K.L.



SINGLE MUSB WITH DUST COVER



STACKED MUSB WITH DUST COVER



UNLESS SPECIFIED OTHERWISE	DRAWN	A.ESPIE	FEB19/14
PRIMARY UNITS MILLIMETERS	CHECKED		
SECONDARY UNITS INCHES	M.E. APP'D		
REFERENCE IN PARENTHESES	Q.A. APP'D		
GENERAL TOLERANCES	DWG APPR.	K.LAMBIE	MAR12/14
1 DECIMAL PLACE	ENG. REL. NO.	EAR 14230	
2 DECIMAL PLACES ±0.25	REF.		
3 DECIMAL PLACES	THIRD ANGLE PROJECTION		
ANGULAR DEGREES	DO NOT SCALE DRAWING		

Amphenol Canada Corp.
www.amphenolcanada.com

MUSB SERIES, DUST COVER FOR RUGGED USB TYPE A, BULK PACKED, RoHS COMPLIANT

DWG. NO. **P-MUSB-2A111-0X4BP** REV **D**

CODE ID NO. 03554 DWG SIZE: X SCALE: 3:1 SHEET 2 OF 2

THIS DOCUMENT CONTAINS PROPRIETARY INFORMATION AND SUCH INFORMATION MAY NOT BE DISCLOSED TO OTHERS FOR ANY PURPOSE OR USED FOR MANUFACTURING PURPOSES WITHOUT WRITTEN PERMISSION FROM AMPHENOL CANADA CORP.