



Chipsmall Limited consists of a professional team with an average of over 10 year of expertise in the distribution of electronic components. Based in Hongkong, we have already established firm and mutual-benefit business relationships with customers from,Europe,America and south Asia,supplying obsolete and hard-to-find components to meet their specific needs.

With the principle of “Quality Parts,Customers Priority,Honest Operation,and Considerate Service”,our business mainly focus on the distribution of electronic components. Line cards we deal with include Microchip,ALPS,ROHM,Xilinx,Pulse,ON,Everlight and Freescale. Main products comprise IC,Modules,Potentiometer,IC Socket,Relay,Connector.Our parts cover such applications as commercial,industrial, and automotives areas.

We are looking forward to setting up business relationship with you and hope to provide you with the best service and solution. Let us make a better world for our industry!



Contact us

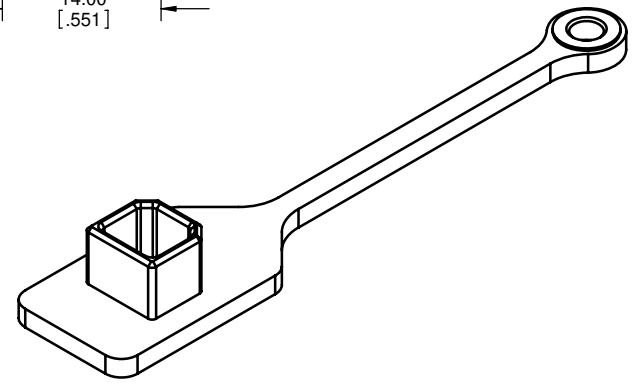
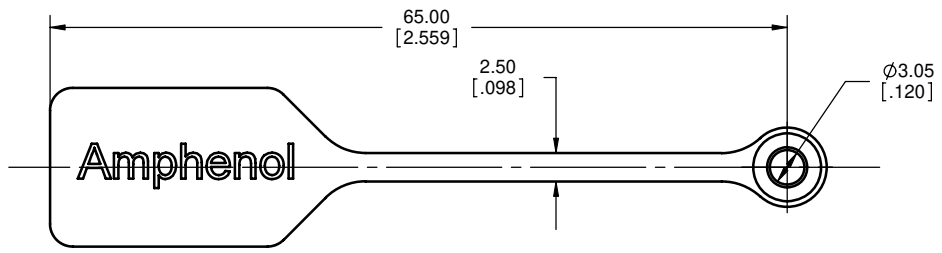
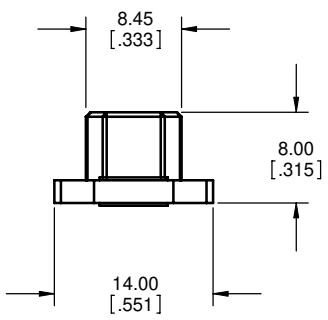
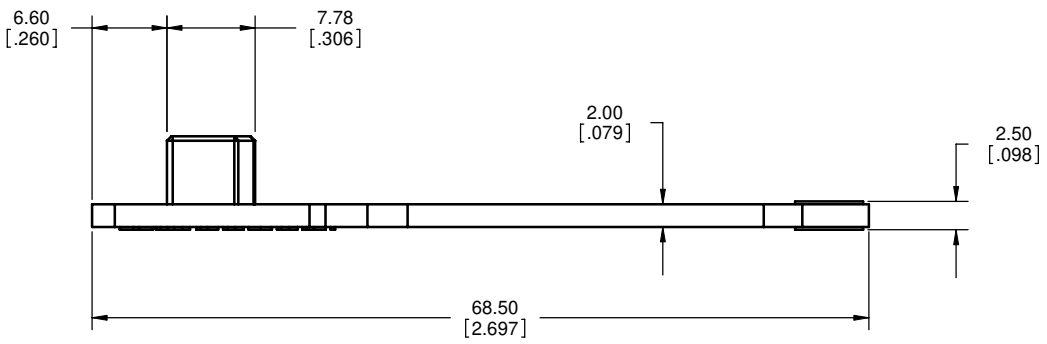
Tel: +86-755-8981 8866 Fax: +86-755-8427 6832

Email & Skype: info@chipsmall.com Web: www.chipsmall.com

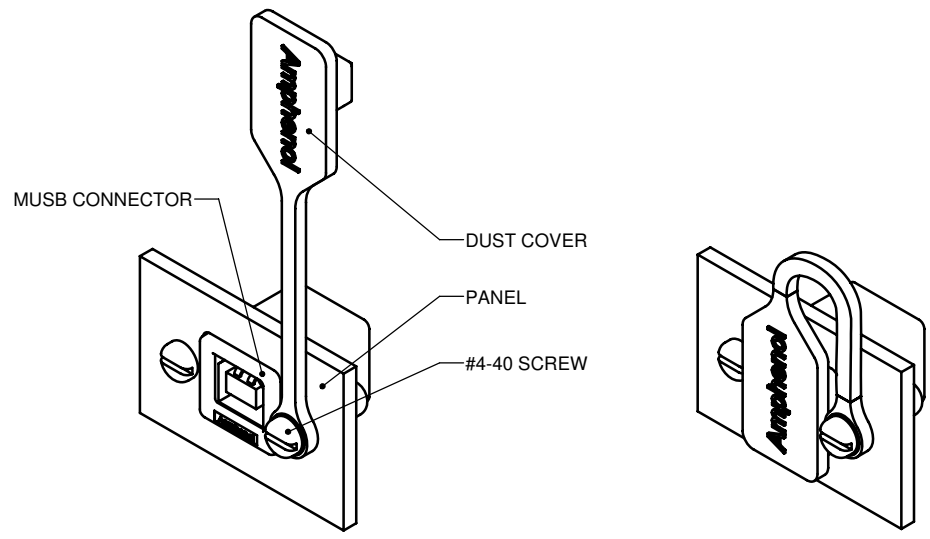
Address: A1208, Overseas Decoration Building, #122 Zhenhua RD., Futian, Shenzhen, China



| REVISIONS | | | |
|-----------|-----------------------------|------|-------|
| REV | DESCRIPTION, ECN, EAR NO. | DATE | APP'D |
| B | PRODUCT DRAWING (EAR 13713) | TBD | K.L |



| AMPENOL PART NUMBER | COVER COLOUR |
|---------------------|--------------|
| MUSB-2D11-004BP | GREY |
| MUSB-2D11-014BP | BLACK |



TYPICAL APPLICATION MUSB CONNECTOR WITH DUST COVER
SCALE 2:1

NOTES:

- MATERIAL:
- DUST COVER - SILICONE RUBBER, COLOR - SEE TABLE FOR COLOUR.
- BUSHING - BRASS, NICKEL PLATED.
- OPERATING TEMPERATURE: -40°C TO +105°C.
- PART IS ROHS COMPLIANT PER EU DIRECTIVE 2002/95/EC AND AMENDMENTS.
- PART SUPPLIED BULK PACKED.

| | | | |
|----------------------------|------------------------|-----------|----------|
| UNLESS SPECIFIED OTHERWISE | DRAWN | S.SEMENOV | MAY04/06 |
| PRIMARY UNITS MILLIMETERS | CHECKED | | |
| SECONDARY UNITS INCHES | M.E. APP'D | | |
| REFERENCE IN PARENTHESES | Q.A. APP'D | | |
| GENERAL TOLERANCES | DWG APPR. | K.BOUTROS | MAY04/06 |
| 1 DECIMAL PLACE | ENG. REL. NO. | | |
| 2 DECIMAL PLACES | REF. | | |
| 3 DECIMAL PLACES | THIRD ANGLE PROJECTION | | |
| ANGULAR DEGREES | DO NOT SCALE DRAWING | | |

Amphenol Canada Corp.

DUST COVER FOR
MUSB TYPE B CONNECTOR,
RoHS COMPLIANT

DWG. NO. **P-MUSB-2D11-0X4BP** REV **B**

CODE ID NO. 03554 DWG SIZE: C SCALE: 3:1 SHEET 1 OF 1