



Chipsmall Limited consists of a professional team with an average of over 10 year of expertise in the distribution of electronic components. Based in Hongkong, we have already established firm and mutual-benefit business relationships with customers from,Europe,America and south Asia,supplying obsolete and hard-to-find components to meet their specific needs.

With the principle of “Quality Parts,Customers Priority,Honest Operation,and Considerate Service”,our business mainly focus on the distribution of electronic components. Line cards we deal with include Microchip,ALPS,ROHM,Xilinx,Pulse,ON,Everlight and Freescale. Main products comprise IC,Modules,Potentiometer,IC Socket,Relay,Connector.Our parts cover such applications as commercial,industrial, and automotives areas.

We are looking forward to setting up business relationship with you and hope to provide you with the best service and solution. Let us make a better world for our industry!



Contact us

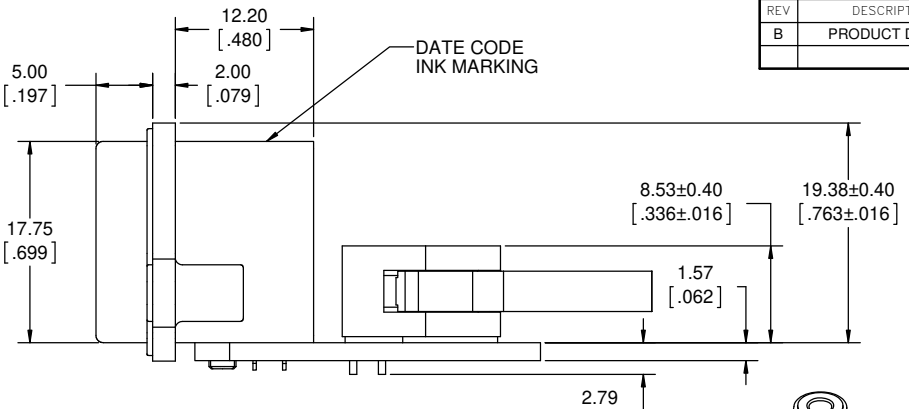
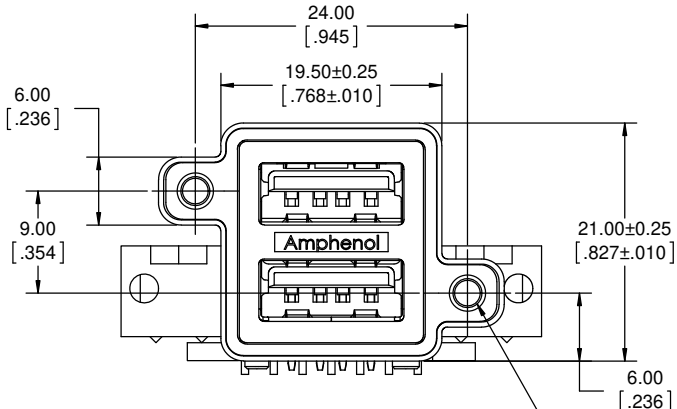
Tel: +86-755-8981 8866 Fax: +86-755-8427 6832

Email & Skype: info@chipsmall.com Web: www.chipsmall.com

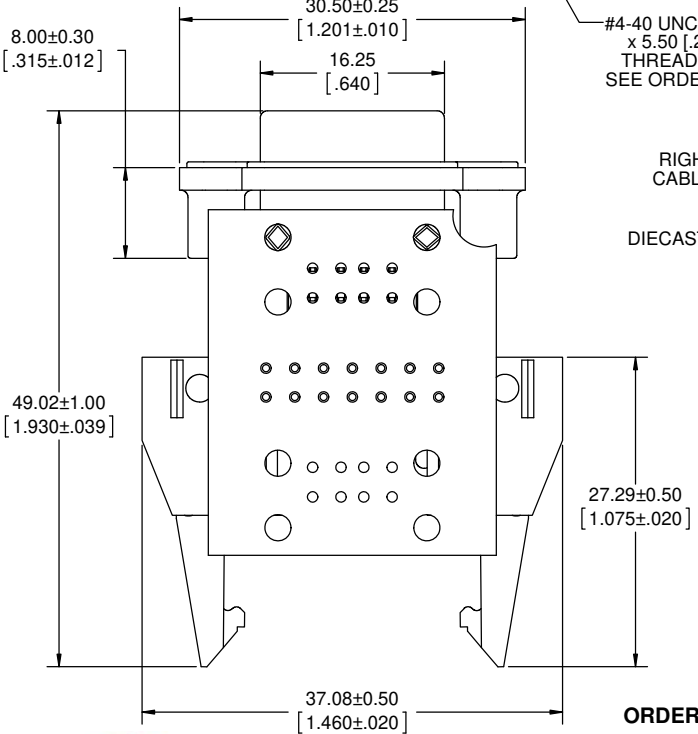
Address: A1208, Overseas Decoration Building, #122 Zhenhua RD., Futian, Shenzhen, China



REVISIONS			
REV	DESCRIPTION, ECN, EAR NO.	DATE	APP'D
B	PRODUCT DRAWING (EAR 14309)	SEP09/14	K.L.



Ø3.05
[.120]
MOUNTING HOLE

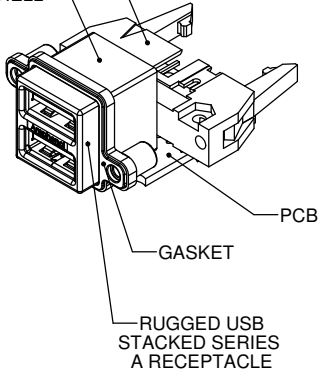


#4-40 UNC OR M3 x 0.5
x 5.50 [.217] DEEP
THREADED HOLES
SEE ORDERING CODE

DUST COVER OPTIONAL
SEE ORDERING CODE.
WHEN SUPPLIED, TWO
DUST COVERS PROVIDED
PER CONNECTOR

RIGHT ANGLE
CABLE HEADER

DIECAST SHELL



NOTES

- MATERIAL**
 - ALL MATERIALS USED ARE RoHS COMPLIANT PER EU DIRECTIVE 2011/65/EU AND AMENDMENTS.
 - OUTER SHELL - DIECAST ZINC ALLOY, NICKEL PLATED.
 - CONTACTS - PHOSPHOR BRONZE, PLATED WITH 0.76 MICRONS (30 MICROINCHES) GOLD OVER 1.27 MICRONS (50 MICROINCHES) MINIMUM NICKEL ON THE MATING AREA WITH MATTE TIN OVER NICKEL ON THE TAILS.
 - USB HOUSING - ENGINEERING THERMOPLASTIC, FLAMMABILITY RATING UL94V-0 BLACK.
 - USB SHIELD & BACK COVER - COPPER ALLOY, NICKEL PLATED.
 - GASKET - SILICONE RUBBER, BLACK.
 - PCB - FR4 FIBREGLASS, LEAD FREE.
 - CABLE HEADER: THERMOPLASTIC HOUSING (UL94V-0, BLACK) WITH BRASS CONTACTS (PLATED GOLD OVER NICKEL), TYCO P/N 5499786-2 OR EQUIVALENT. HEADER MATES WITH TYCO RECEPTACLE 1658620-2 WITH STRAIN RELIEF 499252-9 OR EQUIVALENT.
 - DUST COVER - SILICONE RUBBER WITH NICKEL PLATED BRASS BUSHING. SEE ORDERING CODE FOR DUST COVER OPTIONS.
- ENVIRONMENTAL PERFORMANCE PER IEC 60529 CODE IP67 FOR SEAL BETWEEN MATING AREA AND PCB SIDE OF CONNECTOR. GASKET PROVIDES SEAL TO INSIDE FACE OF ENCLOSURE PANEL. AVAILABLE DUST COVERS PROVIDE ADDITIONAL PROTECTION.
- CURRENT RATING: 1.5 AMPERES
- CONTACT RESISTANCE: 70 MILLIOHMS MAXIMUM (SUBJECT TO VERIFICATION)
- OPERATING TEMPERATURE: -40°C TO 105°C
- DUST COVERS MAY BE ORDERED SEPARATELY, SPECIFY
 - MUSB-2A111-014BP FOR GREY DUST COVER
 - MUSB-2A111-024BP FOR BLACK DUST COVER
 SEE SHEET 2 FOR APPLICATION VIEW

ORDERING CODE: MUSB - C 211 - X X

- SERIES RUGGED USB
- USB STACKED SERIES 'A' RECEPTACLE, RIGHT ANGLE ON PCB WITH CABLE HEADER
- THREAD OPTION
 - 3 = #4-40 UNC THREAD
 - M = M3 x 0.5 THREAD
- DUST COVER OPTION
 - 0 = NO DUST COVERS SUPPLIED
 - 1 = WITH GREY DUST COVERS SUPPLIED
 - 5 = WITH BLACK DUST COVERS SUPPLIED



SPECIAL CONNECTORS
MANY UNIQUE FEATURES ARE READILY AVAILABLE TO SUIT CUSTOMER REQUIREMENTS. CONSULT WITH AMPHENOL CANADA FOR DETAILS

UNLESS SPECIFIED OTHERWISE	DRAWN	S. SEMENOV	MAR01/07
PRIMARY UNITS MILLIMETERS	CHECKED		
SECONDARY UNITS INCHES	M.E. APP'D		
REFERENCE IN PARENTHESES	Q.A. APP'D		
GENERAL TOLERANCES	DWG APPR.	A.GREEN	MAR01/07
1 DECIMAL PLACE	ENG. REL. NO.		
2 DECIMAL PLACES ±0.15	REF.		
3 DECIMAL PLACES	THIRD ANGLE PROJECTION		
ANGULAR DEGREES	DO NOT SCALE DRAWING		

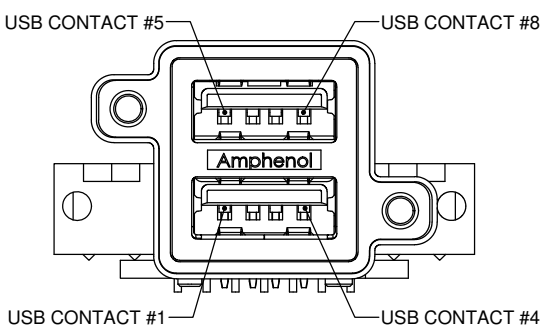
Amphenol Canada Corp.
www.amphenolcanada.com

MUSB SERIES USB RECEPTACLE, SERIES A STACKED, ON PCB WITH RIGHT ANGLE CABLE HEADER, THREAD & DUST COVER OPTIONS, RoHS COMPLIANT

DWG. NO. **P-MUSB-C211-XX** REV **B**

CODE ID NO. 03554 DWG SIZE: C SCALE: NTS SHEET 1 OF 2

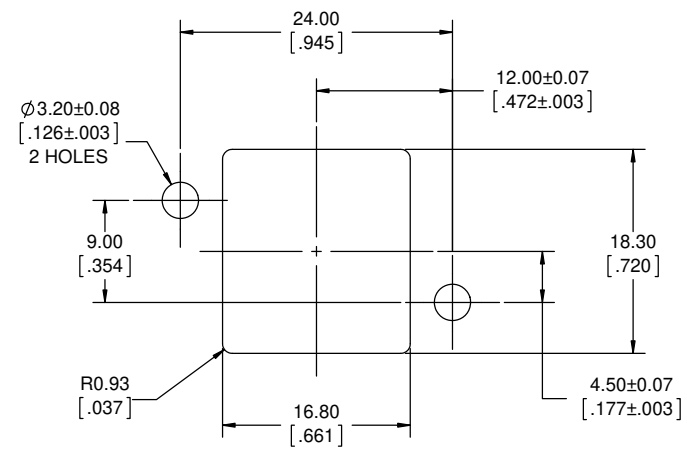
REVISIONS			
REV	DESCRIPTION, ECN, EAR NO.	DATE	APP'D
B	PRODUCT DRAWING (EAR 14309)	SEP09/14	K.L.



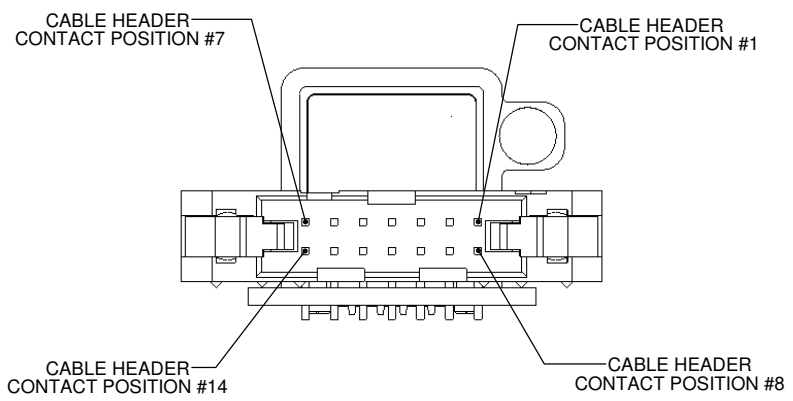
MUSB CONTACT ASSIGNMENT

MUSB CABLE TO HEADER CONNECTION CHART

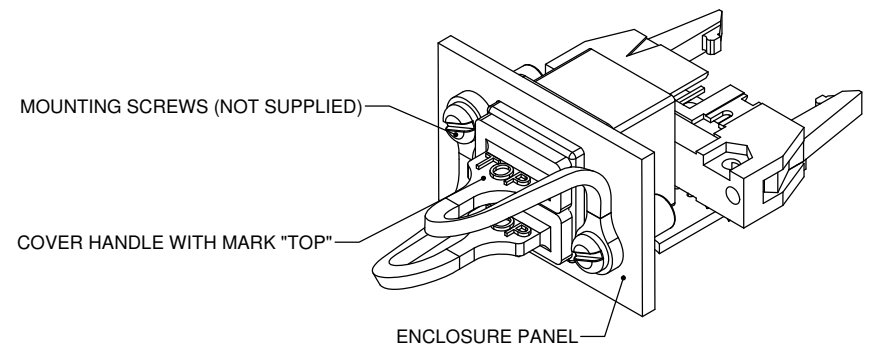
MUSB CONNECTOR CONTACTS	CABLE HEADER CONTACTS
SHELL/GROUND	1
1	14
2	13
3	12
4	11
5	7
6	6
7	5
8	4



**RECOMMENDED PANEL CUTOUT
OUTSIDE VIEW OF PANEL**



CABLE HEADER CONTACT ASSIGNMENT



DUST COVER APPLICATION VIEW



UNLESS SPECIFIED OTHERWISE	DRAWN	S. SEMENOV	MAR01/07
PRIMARY UNITS MILLIMETERS	CHECKED		
SECONDARY UNITS INCHES	M.E. APP'D		
REFERENCE IN PARENTHESES	Q.A. APP'D		
GENERAL TOLERANCES	DWG APPR.	A.GREEN	MAR01/07
1 DECIMAL PLACE	ENG. REL. NO.		
2 DECIMAL PLACES ±0.15	REF.		
3 DECIMAL PLACES	THIRD ANGLE PROJECTION		
ANGULAR DEGREES	DO NOT SCALE DRAWING		

Amphenol Canada Corp.
www.amphenolcanada.com

MUSB SERIES USB RECEPTACLE, SERIES A STACKED, ON PCB WITH RIGHT ANGLE CABLE HEADER, THREAD & DUST COVER OPTIONS, RoHS COMPLIANT

DWG. NO. **P-MUSB-C211-XX** REV **B**

CODE ID NO. 03554 DWG SIZE: C SCALE: NTS SHEET 2 OF 2