



Chipsmall Limited consists of a professional team with an average of over 10 year of expertise in the distribution of electronic components. Based in Hongkong, we have already established firm and mutual-benefit business relationships with customers from,Europe,America and south Asia,supplying obsolete and hard-to-find components to meet their specific needs.

With the principle of “Quality Parts,Customers Priority,Honest Operation,and Considerate Service”,our business mainly focus on the distribution of electronic components. Line cards we deal with include Microchip,ALPS,ROHM,Xilinx,Pulse,ON,Everlight and Freescale. Main products comprise IC,Modules,Potentiometer,IC Socket,Relay,Connector.Our parts cover such applications as commercial,industrial, and automotives areas.

We are looking forward to setting up business relationship with you and hope to provide you with the best service and solution. Let us make a better world for our industry!



Contact us

Tel: +86-755-8981 8866 Fax: +86-755-8427 6832

Email & Skype: info@chipsmall.com Web: www.chipsmall.com

Address: A1208, Overseas Decoration Building, #122 Zhenhua RD., Futian, Shenzhen, China

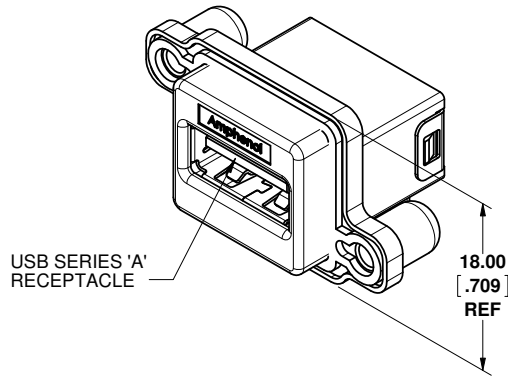


STANDARD PROFILE SHELL

LOW PROFILE SHELL

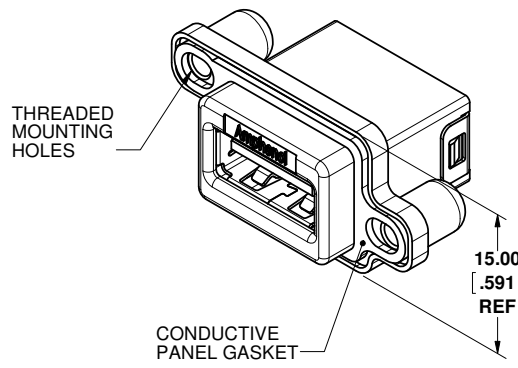


REVISIONS			
REV	DESCRIPTION, ECN, EAR NO.	DATE	APP'D
E	PRODUCT DRAWING (EAR 14444)	APR28/16	K.L.



USB SERIES 'A' RECEPTACLE

18.00
[.709]
REF



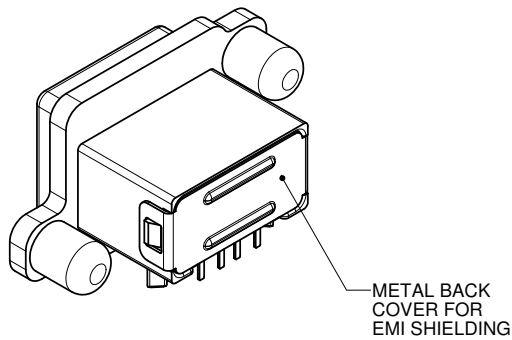
THREADED MOUNTING HOLES

CONDUCTIVE PANEL GASKET

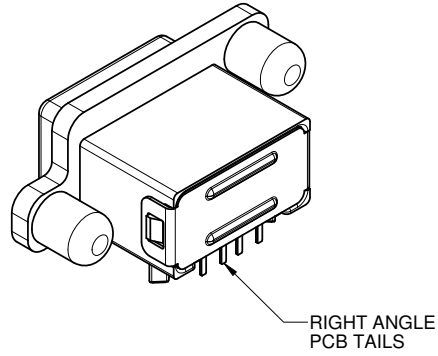
15.00
[.591]
REF

ORDERING CODE: MUSBR-A111-XX

SERIES, RUGGED USB _____
 USB SERIES 'A' RECEPTACLE, SINGLE PORT, RIGHT ANGLE PCB TAIL _____
SHELL & THREAD OPTION _____
 3 = STD. PROFILE, #4-40 UNC THREAD
 4 = LOW PROFILE, #4-40 UNC THREAD
 M = STD. PROFILE, M3 X 0.5 THREAD
 R = LOW PROFILE, M3 X 0.5 THREAD
DUST COVER OPTION _____
 0 = NO DUST COVER SUPPLIED
 1 = WITH GREY DUST COVER SUPPLIED
 5 = WITH BLACK DUST COVER SUPPLIED



METAL BACK COVER FOR EMI SHIELDING



RIGHT ANGLE PCB TAILS

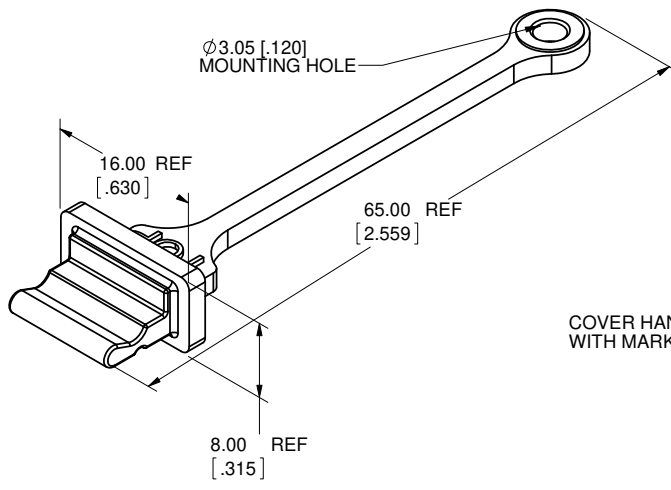
SPECIAL CONNECTORS
 MANY UNIQUE FEATURES ARE READILY AVAILABLE TO SUIT CUSTOMER REQUIREMENTS. CONSULT WITH AMPHENOL CANADA FOR DETAILS.

NOTES:

- MATERIAL:**
 - ALL MATERIALS ARE RoHS COMPLIANT PER EU DIRECTIVE 2002/95/EC AND AMENDMENTS
 - OUTER SHELL - DIECAST ZINC ALLOY, NICKEL PLATED
 - CONTACTS - PHOSPHOR BRONZE, PLATED WITH 0.76 µm (30 µ") GOLD OVER 1.27 µm (50 µ") NICKEL ON THE MATING AREA WITH MATTE TIN PLATING ON THE TAILS.
 - USB HOUSING - ENGINEERING THERMOPLASTIC, HIGH TEMPERATURE RESISTANT, FLAMMABILITY RATING UL94V-0, BLACK.
 - USB SHIELD & BACK COVER - STAINLESS STEEL, PASSIVATED
 - PANEL GASKET - CONDUCTIVE SILICONE RUBBER, BLACK
 - DUST COVER - SILICONE RUBBER WITH NICKEL PLATED BRASS BUSHING. SEE ORDERING CODE FOR DUST COVER COLOUR OPTIONS.
- ENVIRONMENTAL PERFORMANCE PER IEC 60529 CODE IP67 FOR SEAL BETWEEN MATING AREA AND PCB SIDE OF CONNECTOR. GASKET PROVIDES SEAL TO INSIDE FACE OF ENCLOSURE PANEL. AVAILABLE DUST COVER PROVIDES ADDED PROTECTION.
- CURRENT RATING: 1.5 AMPERES
- CONTACT RESISTANCE: 30 MILLIOHMS MAXIMUM.
- OPERATING TEMPERATURE: -40°C TO +105°C.
- DUST COVERS MAY BE ORDERED SEPARATELY. SPECIFY
 - PART NUMBER MUSB-2A111-014BP FOR THE GREY COVER OR
 - PART NUMBER MUSB-2A111-024BP FOR THE BLACK COVER.

DUST COVER OPTION
SEE ORDERING CODE

DUST COVER APPLICATION VIEW

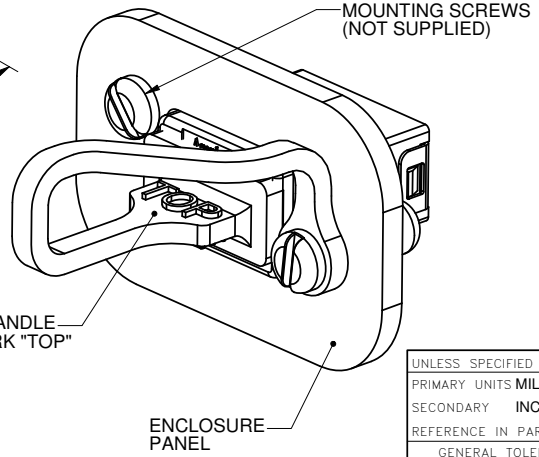


Ø3.05 [.120]
MOUNTING HOLE

16.00 REF
[.630]

65.00 REF
[2.559]

8.00 REF
[.315]



MOUNTING SCREWS (NOT SUPPLIED)

COVER HANDLE WITH MARK "TOP"

ENCLOSURE PANEL

UNLESS SPECIFIED OTHERWISE	DRAWN T.KEARSE	OCT6/11
PRIMARY UNITS MILLIMETERS	CHECKED	
SECONDARY INCHES	M.E. APP'D	
REFERENCE IN PARENTHESES	Q.A. APP'D	
GENERAL TOLERANCES	DWG APPR. K.LAMBIE	OCT6/11
1 DECIMAL PLACE	ENG. REL. NO.	
2 DECIMAL PLACES ±0.15	REF. EAR 13922	
3 DECIMAL PLACES	THIRD ANGLE PROJECTION	
ANGULAR DEGREES	DO NOT SCALE DRAWING	

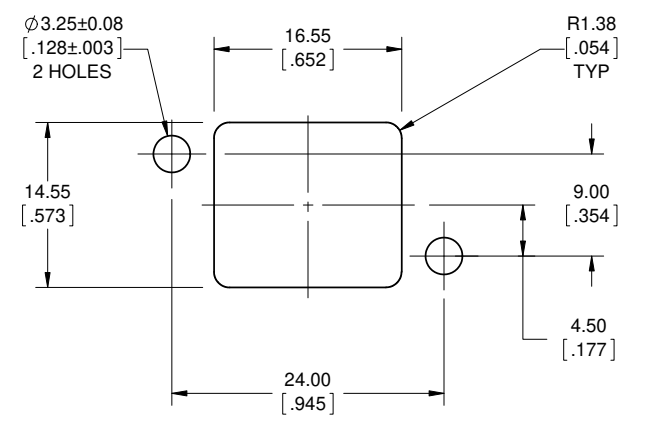
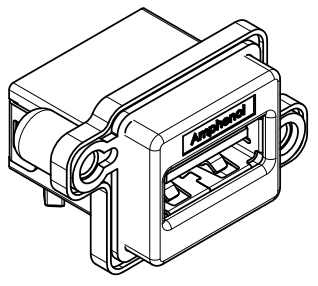
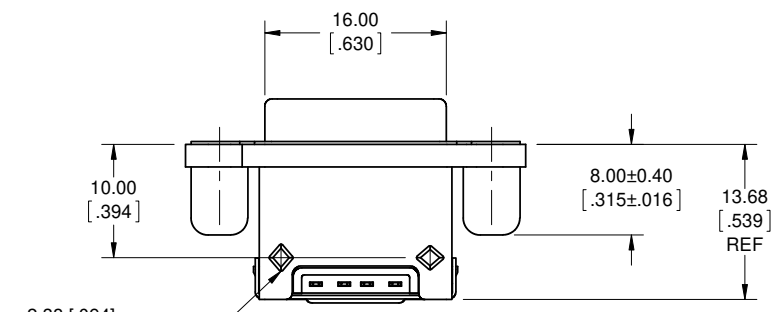
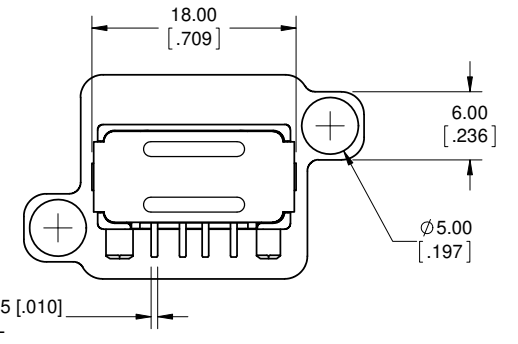
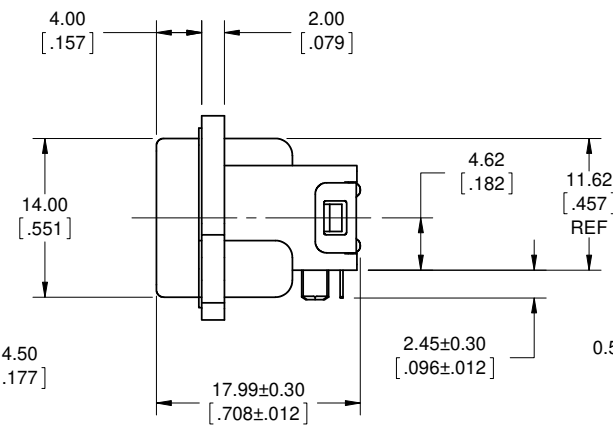
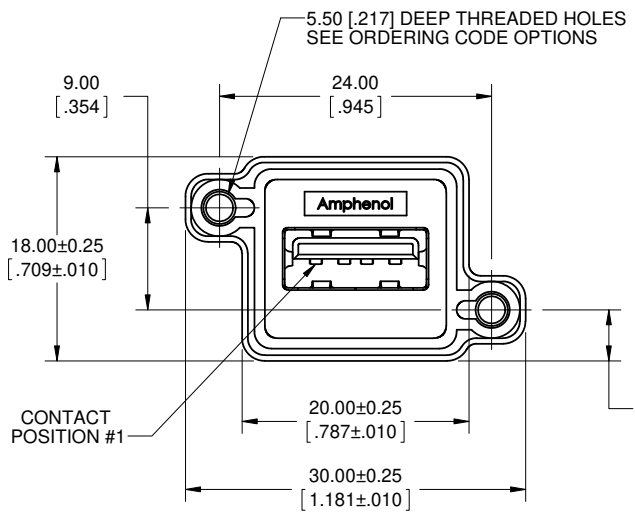
Amphenol Canada Corp.
www.amphenolcanada.com

MUSBR SERIES RUGGED USB CONNECTOR, SERIES 'A' RECEPTACLE, SINGLE PORT, RIGHT ANGLE PCB TAIL, THREAD, SHELL & DUST COVER OPTIONS, RoHS COMPLIANT

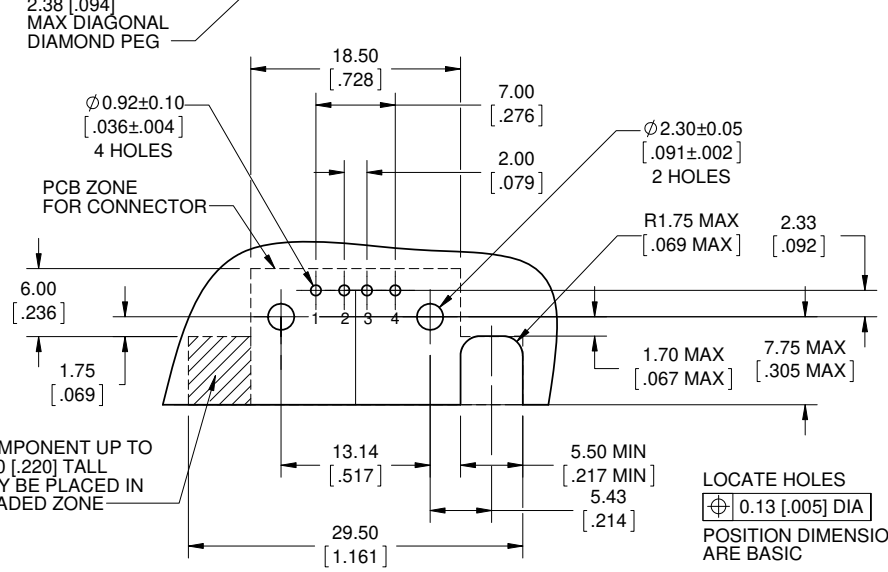
DWG. NO. **P-MUSBR-A111-XX** REV **E**

CODE ID NO. 03554 DWG SIZE: C SCALE: 3:1 SHEET 1 OF 3

REVISIONS			
REV	DESCRIPTION, ECN, EAR NO.	DATE	APP'D
E	PRODUCT DRAWING (EAR 14444)	APR28/16	K.L.



RECOMMENDED PANEL CUTOUT
OUTSIDE VIEW OF PANEL



RECOMMENDED PCB LAYOUT
COMPONENT SIDE OF BOARD

LOCATE HOLES
⊕ 0.13 [.005] DIA
POSITION DIMENSIONS ARE BASIC

STANDARD PROFILE SHELL SHOWN

**AMPHENOL CANADA PART NUMBERS: MUSBR-A111-3X
MUSBR-A111-MX**

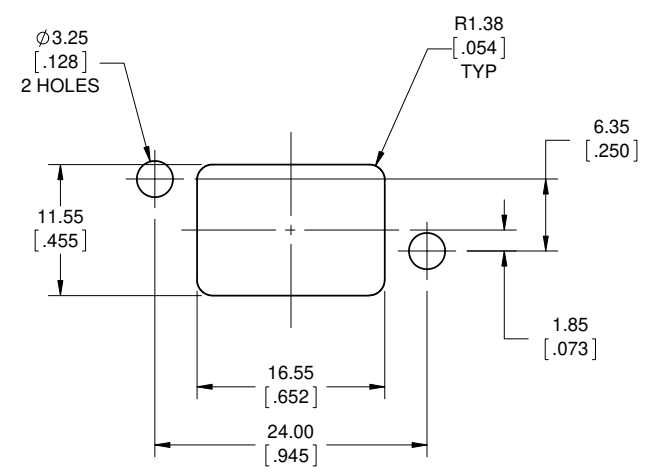
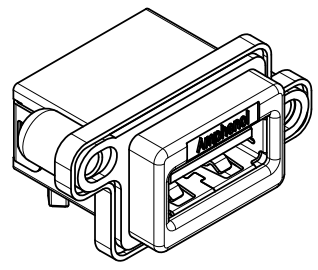
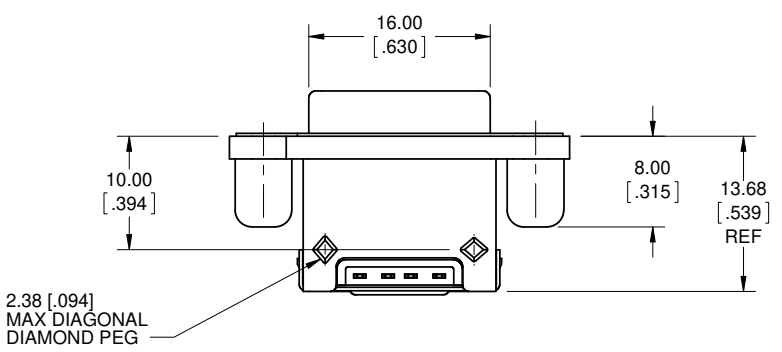
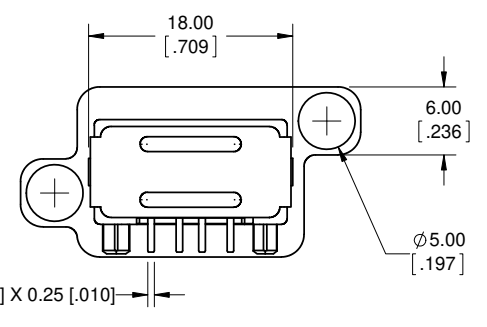
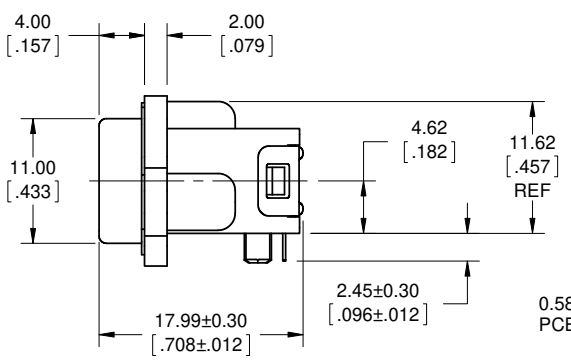
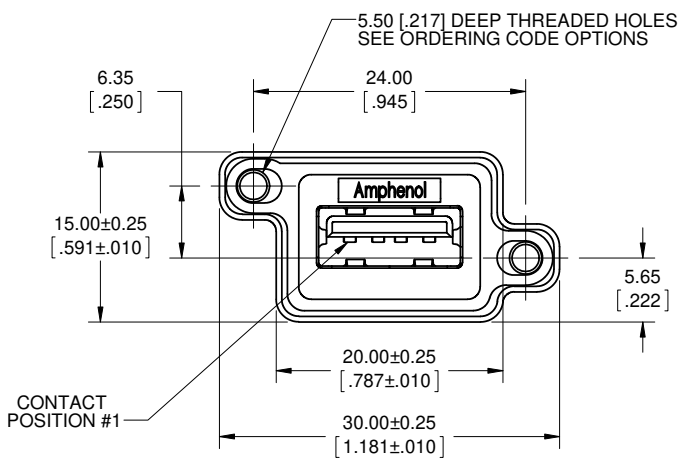


THIS DOCUMENT CONTAINS PROPRIETARY INFORMATION AND SUCH INFORMATION MAY NOT BE DISCLOSED TO OTHERS FOR ANY PURPOSE OR USED FOR MANUFACTURING PURPOSES WITHOUT WRITTEN PERMISSION FROM AMPHENOL CANADA CORP.

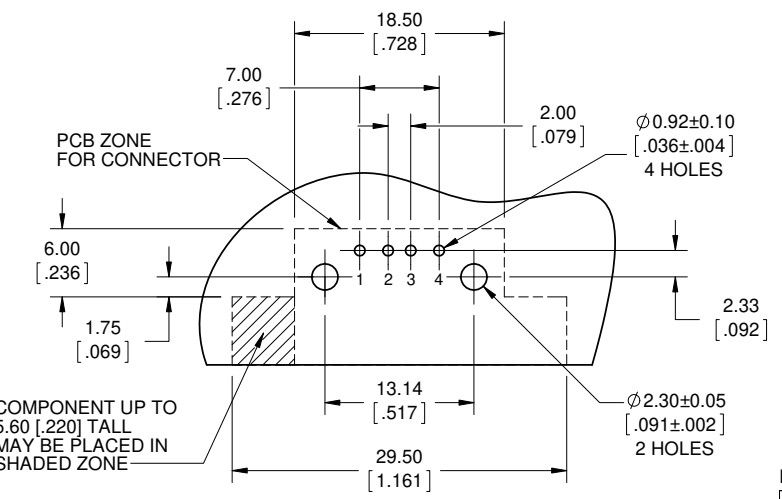
UNLESS SPECIFIED OTHERWISE	DRAWN	T.KEARSE	OCT6/11
PRIMARY UNITS MILLIMETERS	CHECKED		
SECONDARY INCHES	M.E. APP'D		
REFERENCE IN PARENTHESES	Q.A. APP'D		
GENERAL TOLERANCES	DWG APPR.	K.LAMBIE	OCT6/11
1 DECIMAL PLACE	ENG. REL. NO.		
2 DECIMAL PLACES ±0.15	REF.	EAR 13922	
3 DECIMAL PLACES	THIRD ANGLE PROJECTION		
ANGULAR DEGREES	DO NOT SCALE DRAWING		

Amphenol Canada Corp. www.amphenolcanada.com	
MUSBR SERIES RUGGED USB CONNECTOR, SERIES 'A' RECEPTACLE, SINGLE PORT, RIGHT ANGLE PCB TAIL, THREAD, SHELL & DUST COVER OPTIONS, RoHS COMPLIANT	
DWG. NO.	REV
P-MUSBR-A111-XX	E
CODE ID NO. 03554	DWG SIZE: C
SCALE: 3:1	SHEET 2 OF 3

REVISIONS			
REV	DESCRIPTION, ECN, EAR NO.	DATE	APP'D
E	PRODUCT DRAWING (EAR 14444)	APR28/16	K.L.



RECOMMENDED PANEL CUTOUT
OUTSIDE VIEW OF PANEL



RECOMMENDED PCB LAYOUT
COMPONENT SIDE OF BOARD

LOCATE HOLES
 $\text{⊕} \text{ } 0.13 \text{ } [.005] \text{ DIA}$
 POSITION DIMENSIONS
 ARE BASIC



LOW PROFILE SHELL SHOWN

**AMPHENOL CANADA PART NUMBERS: MUSBR-A111-4X
MUSBR-A111-RX**

UNLESS SPECIFIED OTHERWISE	DRAWN T.KEARSE	OCT6/11
PRIMARY UNITS MILLIMETERS	CHECKED	
SECONDARY INCHES	M.E. APP'D	
REFERENCE IN PARENTHESES	Q.A. APP'D	
GENERAL TOLERANCES	DWG APPR. K.LAMBIE	OCT6/11
1 DECIMAL PLACE	ENG. REL. NO.	
2 DECIMAL PLACES ±0.15	REF. EAR 13922	
3 DECIMAL PLACES	THIRD ANGLE PROJECTION	
ANGULAR DEGREES	DO NOT SCALE DRAWING	

Amphenol Canada Corp.
www.amphenolcanada.com
 MUSBR SERIES RUGGED USB CONNECTOR,
 SERIES 'A' RECEPTACLE, SINGLE PORT,
 RIGHT ANGLE PCB TAIL, THREAD, SHELL &
 DUST COVER OPTIONS, RoHS COMPLIANT

DWG. NO. **P-MUSBR-A111-XX** REV **E**

CODE ID NO. 03554 DWG SIZE: C SCALE: 3:1 SHEET 3 OF 3