



Chipsmall Limited consists of a professional team with an average of over 10 year of expertise in the distribution of electronic components. Based in Hongkong, we have already established firm and mutual-benefit business relationships with customers from,Europe,America and south Asia,supplying obsolete and hard-to-find components to meet their specific needs.

With the principle of “Quality Parts,Customers Priority,Honest Operation,and Considerate Service”,our business mainly focus on the distribution of electronic components. Line cards we deal with include Microchip,ALPS,ROHM,Xilinx,Pulse,ON,Everlight and Freescale. Main products comprise IC,Modules,Potentiometer,IC Socket,Relay,Connector.Our parts cover such applications as commercial,industrial, and automotives areas.

We are looking forward to setting up business relationship with you and hope to provide you with the best service and solution. Let us make a better world for our industry!



Contact us

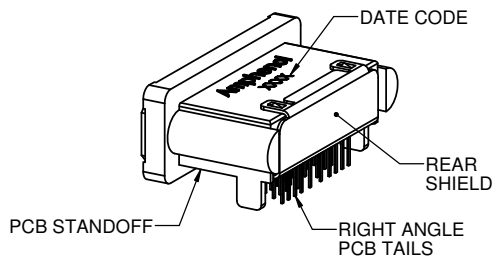
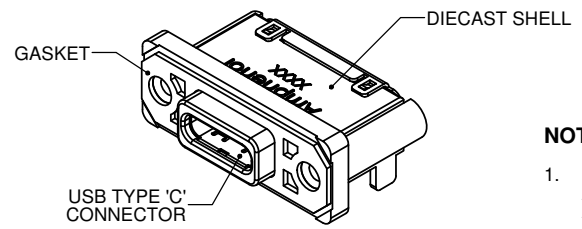
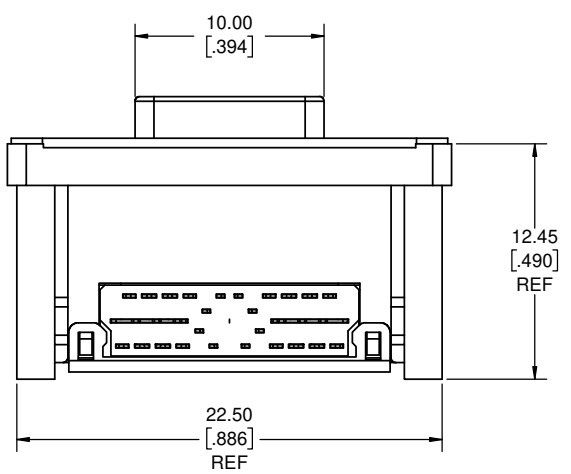
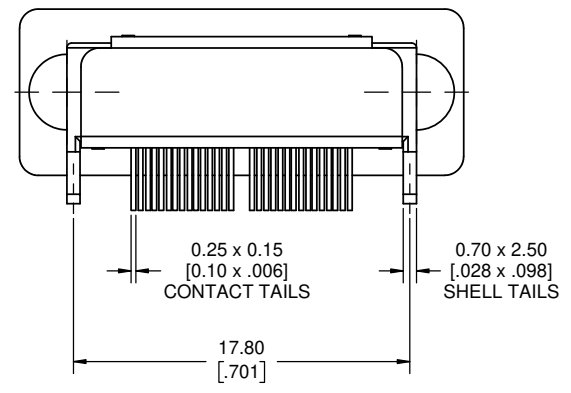
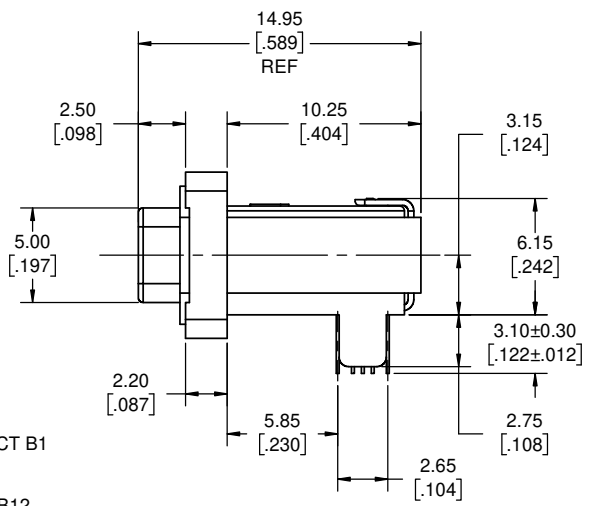
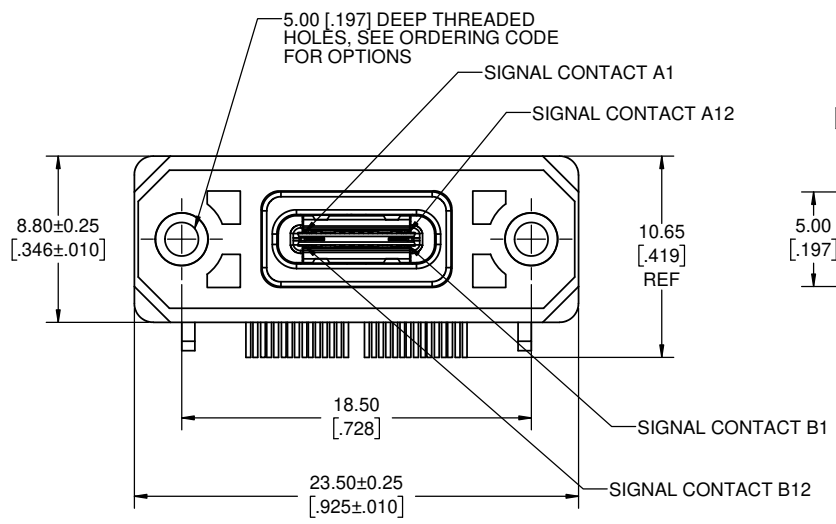
Tel: +86-755-8981 8866 Fax: +86-755-8427 6832

Email & Skype: info@chipsmall.com Web: www.chipsmall.com

Address: A1208, Overseas Decoration Building, #122 Zhenhua RD., Futian, Shenzhen, China



REVISIONS			
REV	DESCRIPTION, ECG, EAR NO.	DATE	APPD
C	PROPOSAL DRAWING EAR 14368	SEP16/15	K.L.
D	PRODUCT DRAWING EAR 14608	SEP20/17	K.L.



NOTES:

- MATERIAL:**
ALL MATERIALS ARE RoHS COMPLIANT PER EU DIRECTIVE 2011/65/EU AND AMENDMENTS
 - OUTER SHELL: DIECAST ZINC ALLOY, MATTE TIN OVER NICKEL PLATING
 - CONTACTS: COPPER ALLOY, PLATED WITH 0.76µm [30µ"] MINIMUM GOLD OVER 1.27µm [50µ"] MINIMUM NICKEL ON THE MATING AREA WITH MATTE TIN OVER NICKEL ON THE TAILS
 - USB HOUSING: ENGINEERING THERMOPLASTIC, HIGH TEMPERATURE RESISTANT, FLAMMABILITY RATING UL94V-0, BLACK
 - USB SHIELD: STAINLESS STEEL, PASSIVATED
 - REAR COVER: STAINLESS STEEL, PASSIVATED
 - GASKET: CONDUCTIVE SILICONE RUBBER, BLACK
 - DUST COVER - SILICONE RUBBER WITH NICKEL PLATED BRASS BUSHING. SEE ORDERING CODE FOR COLOUR OPTION.
- ENVIRONMENTAL PERFORMANCE PER IEC 60529 CODE IP67 FOR SEAL BETWEEN MATING AREA AND PCB SIDE OF CONNECTOR. GASKET PROVIDES SEAL TO INSIDE FACE OF ENCLOSURE PANEL.**
- CURRENT RATING: COLLECTIVELY 5A MAX. FOR PINS A4, A9, B4, & B9 PLUS 1.25A MAX. FOR PIN B5 WITH RETURN PATH SHARED THROUGH PINS A1, A12, B1 & B12. ADDITIONAL POSITIONS 0.25A MAX. EACH.**
- CONTACT RESISTANCE: 40 MILLIOHMS MAXIMUM INITIAL.**
- OPERATING TEMPERATURE: -40°C TO +105°C.**
- DUST COVERS MAY BE ORDERED SEPARATELY. SPECIFY**
 - PART NUMBER MUSBR-2M5C-004BP FOR GREY COVER OR
 - PART NUMBER MUSBR-2M5C-014BP FOR BLACK COVER

ORDERING CODE: MUSBR-M1C1-XX

SERIES, RUGGED USB

USB TYPE 'C' RECEPTACLE, SINGLE PORT, RIGHT ANGLE PCB TAILS, 24 CONTACTS

MOUNTING HOLE THREAD OPTION:
3 = #2-56 UNC THREAD
M = M2.5 X 0.45 THREAD

DUST COVER OPTION
0 = NO DUST COVER SUPPLIED
1 = WITH GREY DUST COVER SUPPLIED
5 = WITH BLACK DUST COVER SUPPLIED
SEE SHEET 2 FOR DUST COVER VIEWS



UNLESS SPECIFIED OTHERWISE	DRAWN	M. PAHULJE	MAY07/15
PRIMARY UNITS MILLIMETERS	CHECKED		
SECONDARY INCHES	M.E. APPD		
REFERENCE IN PARENTHESES	Q.A. APPD		
GENERAL TOLERANCES	DWG APPR.	K. LAMBIE	MAY14/15
1 DECIMAL PLACE	ENG. REL. NO.		
2 DECIMAL PLACES ±0.15	REF.	EAR 14368	
3 DECIMAL PLACES ±0.05	THIRD ANGLE PROJECTION		
ANGULAR DEGREES	DO NOT SCALE DRAWING		

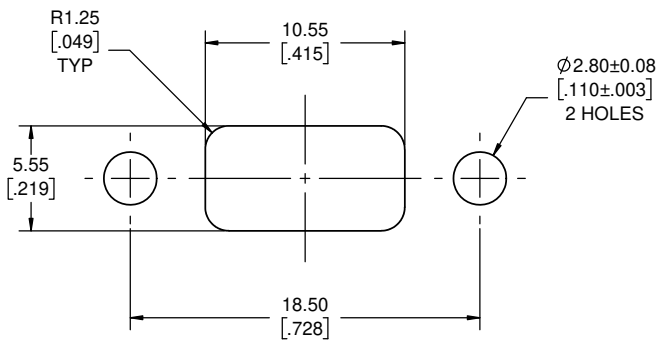
Amphenol Canada Corp.
www.amphenolcanada.com

RUGGED USB TYPE 'C' RECEPTACLE, RIGHT ANGLE, PCB MOUNT, RoHS COMPLIANT

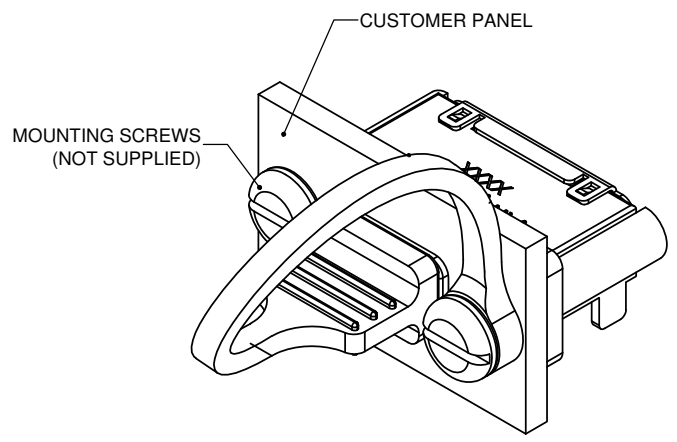
DWG. NO. **P-MUSBR-M1C1-XX** REV **D**

CODE ID NO. 03554 | DWG SIZE: X | SCALE: 5:1 | SHEET 1 OF 2

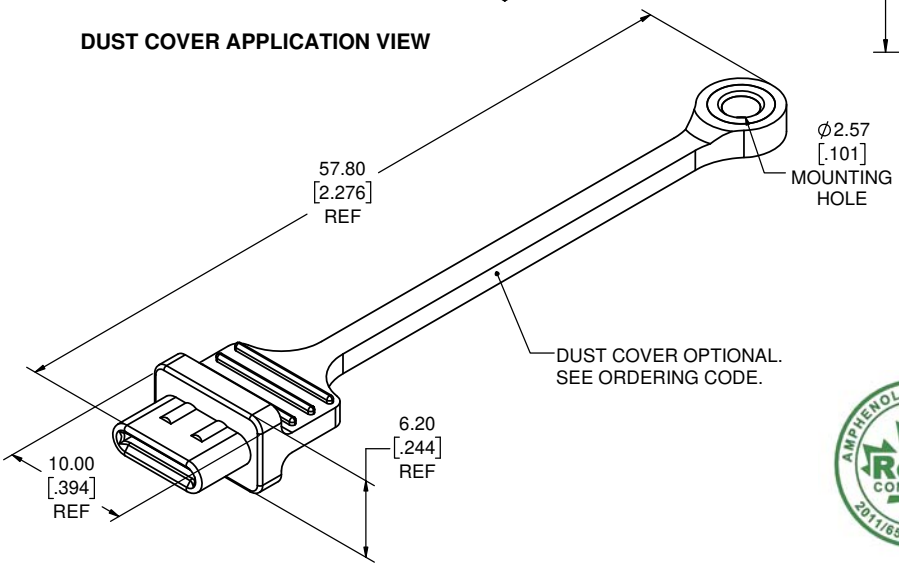
REVISIONS			
REV	DESCRIPTION, ECG, EAR NO.	DATE	APPD
C	PROPOSAL DRAWING EAR 14368	SEP16/15	K.L.
D	PRODUCT DRAWING EAR 14608	SEP20/17	K.L.



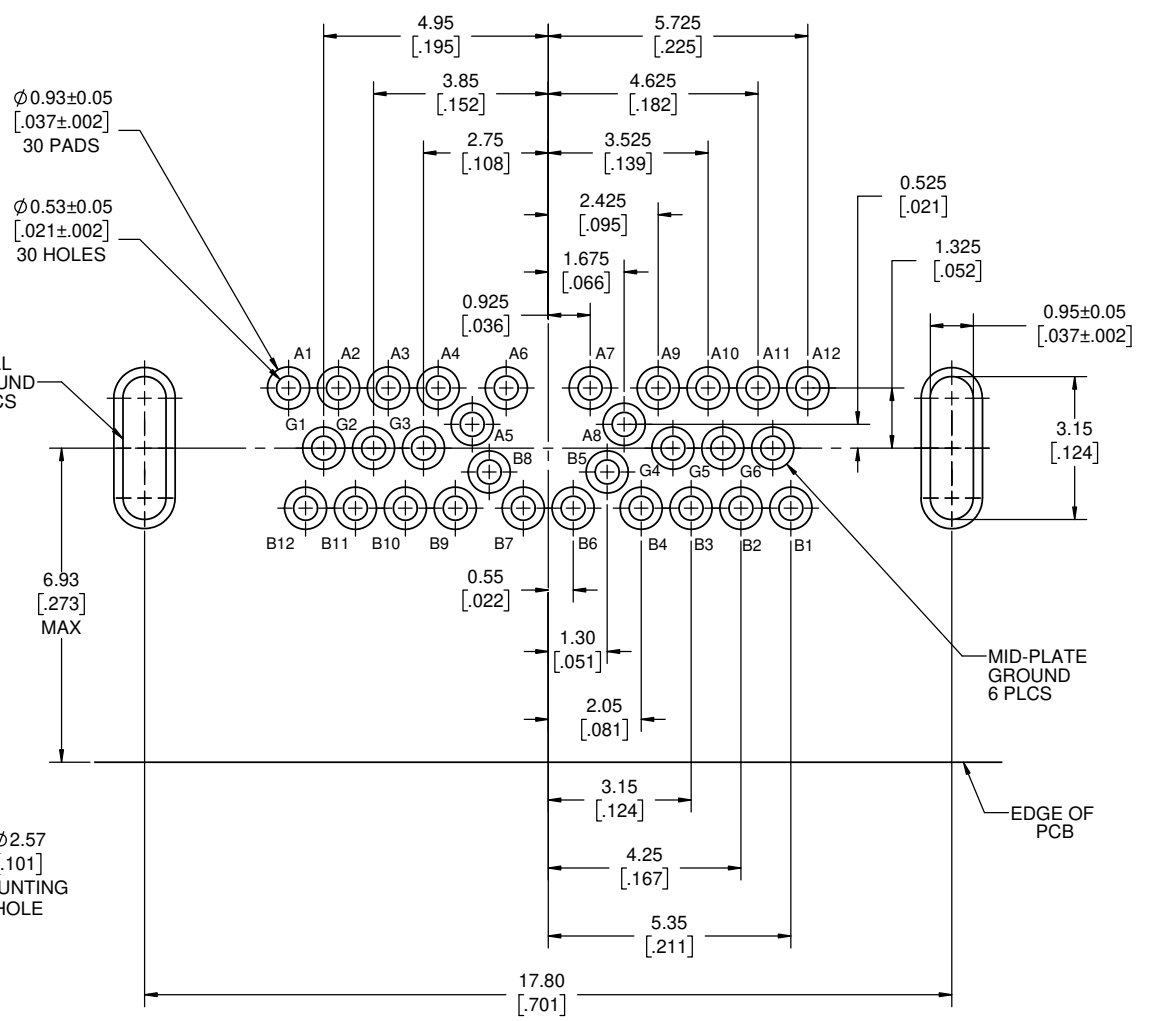
RECOMMENDED PANEL CUTOUT
OUTSIDE VIEW OF PANEL



DUST COVER APPLICATION VIEW



DUST COVER OPTIONAL.
SEE ORDERING CODE.



RECOMMENDED PCB LAYOUT
COMPONENT SIDE OF BOARD

THIS DOCUMENT CONTAINS PROPRIETARY INFORMATION AND SUCH INFORMATION MAY NOT BE DISCLOSED TO OTHERS FOR ANY PURPOSE OR USED FOR MANUFACTURING PURPOSES WITHOUT WRITTEN PERMISSION FROM AMPHENOL CANADA CORP.

UNLESS SPECIFIED OTHERWISE	DRAWN	M. PAHULJE	MAY07/15
PRIMARY UNITS MILLIMETERS	CHECKED		
SECONDARY INCHES	M.E. APPD		
REFERENCE IN PARENTHESES	Q.A. APPD		
GENERAL TOLERANCES	DWG APPR.	K. LAMBIE	MAY14/15
1 DECIMAL PLACE	ENG. REL. NO.		
2 DECIMAL PLACES ±0.15	REF.	EAR 14368	
3 DECIMAL PLACES ±0.05	THIRD ANGLE PROJECTION		
ANGULAR DEGREES	DO NOT SCALE DRAWING		

Amphenol Canada Corp.
www.amphenolcanada.com

**RUGGED USB TYPE 'C' RECEPTACLE,
RIGHT ANGLE, PCB MOUNT,
RoHS COMPLIANT**

DWG. NO. **P-MUSBR-M1C1-XX** REV **D**

CODE ID NO. 03554 DWG SIZE: X SCALE: 5:1 SHEET 2 OF 2