



Chipsmall Limited consists of a professional team with an average of over 10 year of expertise in the distribution of electronic components. Based in Hongkong, we have already established firm and mutual-benefit business relationships with customers from,Europe,America and south Asia,supplying obsolete and hard-to-find components to meet their specific needs.

With the principle of “Quality Parts,Customers Priority,Honest Operation,and Considerate Service”,our business mainly focus on the distribution of electronic components. Line cards we deal with include Microchip,ALPS,ROHM,Xilinx,Pulse,ON,Everlight and Freescale. Main products comprise IC,Modules,Potentiometer,IC Socket,Relay,Connector.Our parts cover such applications as commercial,industrial, and automotives areas.

We are looking forward to setting up business relationship with you and hope to provide you with the best service and solution. Let us make a better world for our industry!



Contact us

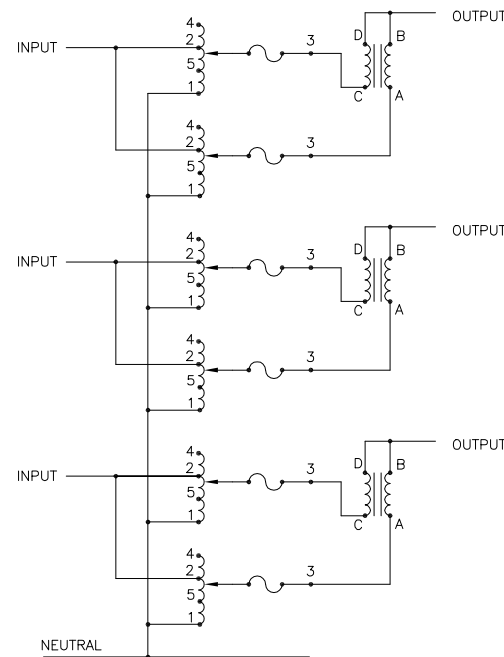
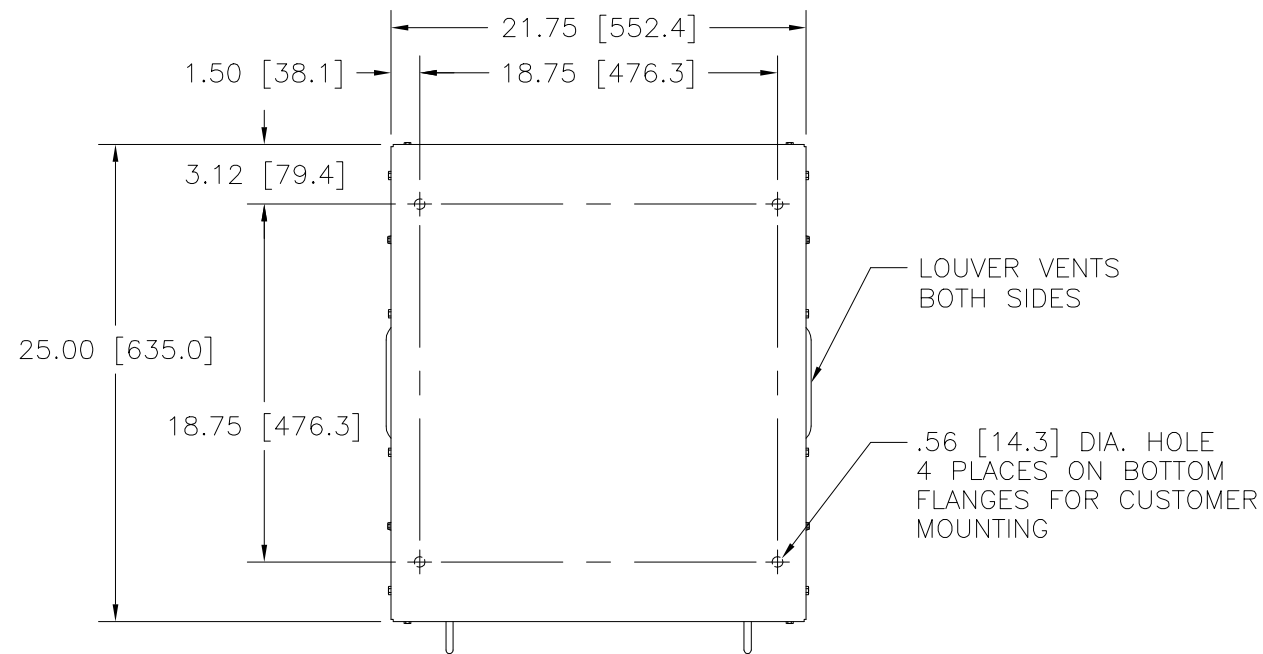
Tel: +86-755-8981 8866 Fax: +86-755-8427 6832

Email & Skype: info@chipsmall.com Web: www.chipsmall.com

Address: A1208, Overseas Decoration Building, #122 Zhenhua RD., Futian, Shenzhen, China



DWG. NO.	032-8384		
REVISIONS			
SYM.	E.C.N.	DATE	APVD.
A	23294	2/5/97	
	REVISED & UPDATED		
B	23348	3/18/97	
	REVISED & UPDATED		
C	23536	9/30/97	
	REVISED & UPDATED		
D	24158	1/19/00	
	DELETED EYENUTS		



SCHMATIC

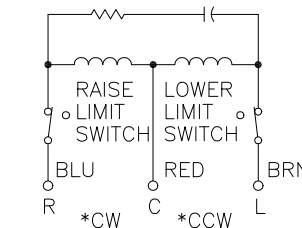
CONTROLS:

MICROTERMINAL: THE TERMINAL IS PROVIDED FOR LOCAL CONTROL OF THE UNIT WITH AN LCD DISPLAY FOR OUTPUT VOLTAGE READINGS. SEE THE MP USER'S HANDBOOK (FORM #003-1622) FOR DETAILED INFORMATION.

CONTROLLER ON/OFF SWITCH: THIS SWITCH TURNS OFF POWER TO THE MICROPROCESSOR CONTROLLER ONLY.

MOTOR ON/OFF SWITCH: THIS SWITCH TURNS OFF POWER FROM THE MICROPROCESSOR TO EACH OF THE AUTOTRANSFORMER MOTORS.

RAISE/LOWER SWITCHES: THESE SWITCHES ARE LOCATED INTERNALLY AND ARE ACCESSIBLE FROM THE FRONT VIA THE REMOVABLE ACCESS PANEL. THE SWITCHES ALLOW FOR EACH PHASE OF THE REGULATOR TO BE MANUALLY CONTROLLED INDIVIDUALLY.



MOTOR CIRCUIT

120V, 50/60 HZ
* ROTATION AS VIEWED FROM TOP END
MOTOR SPEEDS: SEE CHART

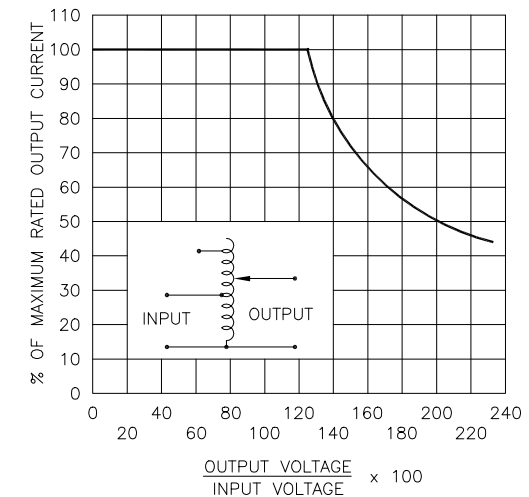


FIGURE A

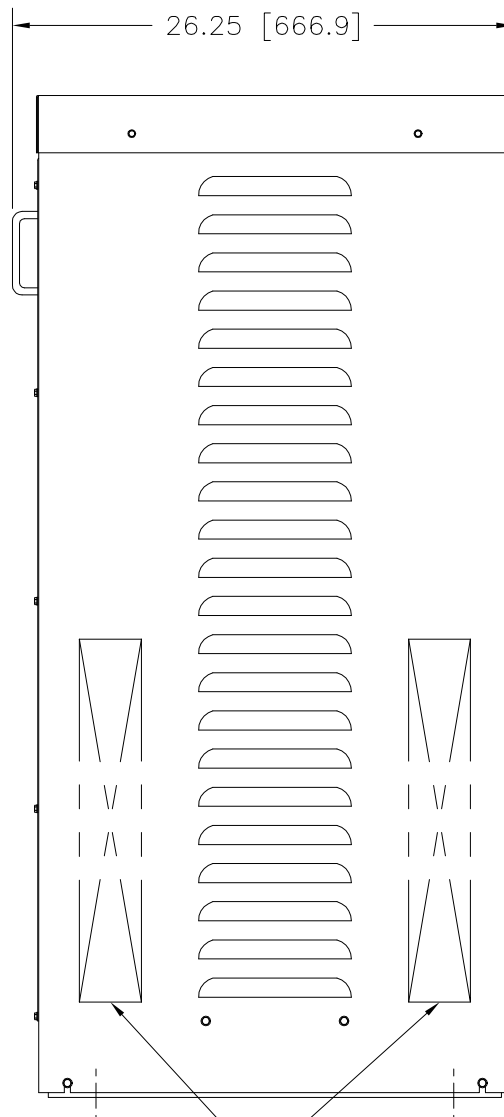
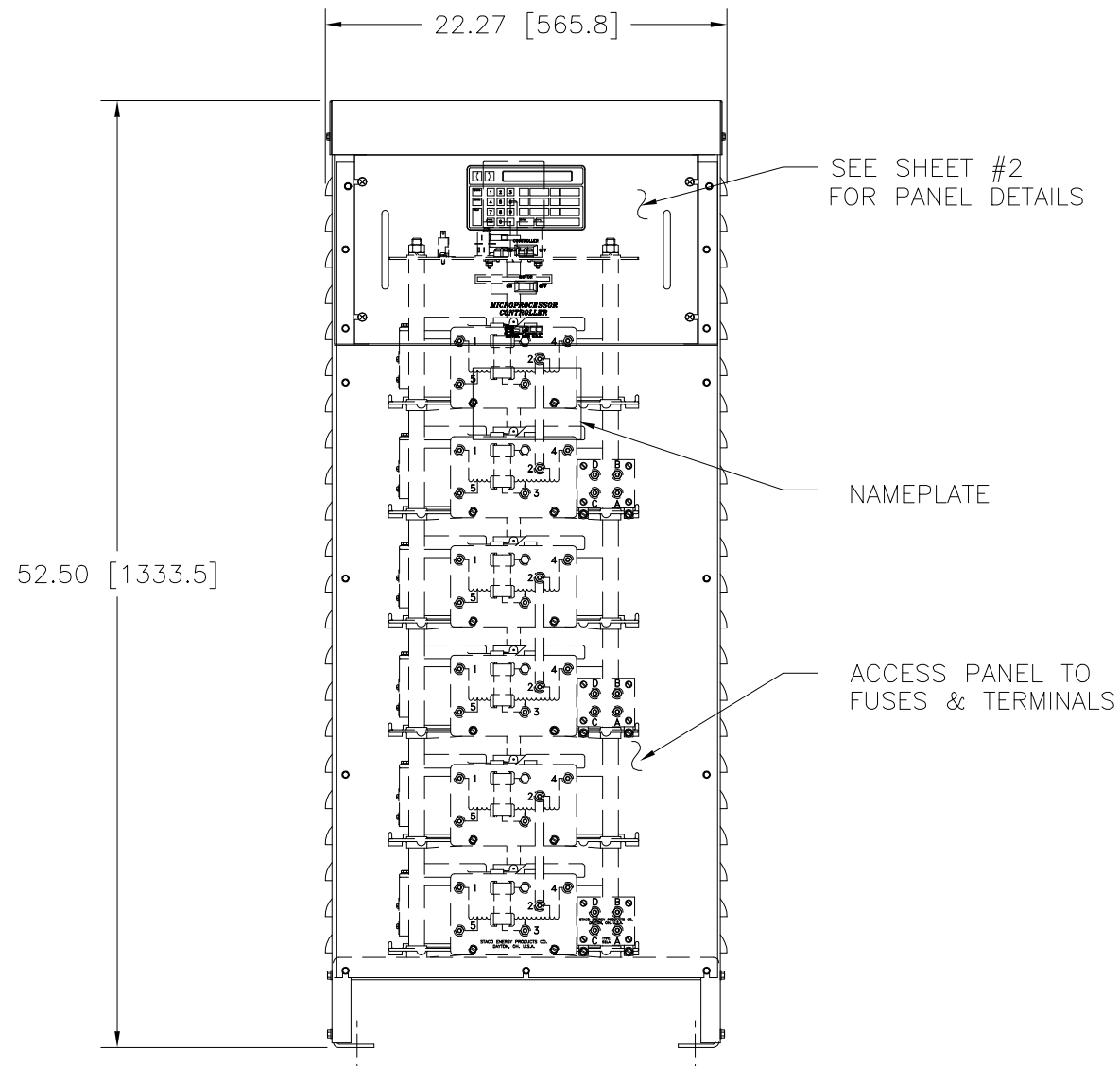
MAXIMUM OUTPUT CURRENT OF ANY DUAL INPUT VOLTAGE OR VOLTAGE DOUBLER UNIT OPERATED AT LOWER INPUT VOLTAGE.

MAXIMUM OUTPUT CURRENT IN OUTPUT VOLTAGE RANGE FROM 0 TO 25% ABOVE LINE VOLTAGE. AT HIGHER OUTPUT VOLTAGES, OUTPUT CURRENT MUST BE REDUCED ACCORDING TO RATING CURVE, FIGURE A.

++ MAXIMUM KVA AT MAXIMUM OUTPUT AND CORRESPONDING DE-RATED CURRENT. MAXIMUM KVA AT LOWER OUTPUT VOLTAGES MAY BE CALCULATED FROM RATING CURVE, FIGURE A.

V.D. = VOLTAGE DOUBLER.

SPEED (SECONDS)	MODEL NUMBER
15	MV15M6020E-6Y
30	MV30M6020E-6Y
60	MV60M6020E-6Y



SPECIFICATIONS								
WIRING	INPUT		OUTPUT			SHAFT ROTATION FOR VOLTAGE INCREASE	TERMINAL CONNECTIONS FOR INCREASING VOLTAGE AS VIEWED FROM TOP	
	VOLTS	HERTZ	VOLTS	CONSTANT CURRENT LOAD			INPUT	OUTPUT
THREE PHASE WYE	480	50/60	0-480	70	58.1	CW	4-4-4	B-B-B
		60	0-560	70	67.8	CW	2-2-2	B-B-B
	240	60	0-560	70-30 V.D.	29.1 ++	CW	5-5-5	B-B-B

UNLESS OTHERWISE SPECIFIED, TOLERANCE IS # DECIMALS .XX .XXX .005				Holes .12 .03		ANGLES 1°		DRAFT 1-1/2°		UNITS IN [mm]	
MATERIAL:				ALL DIMENSIONS APPLY AFTER PLATING		TITLE: SPECIFICATION CONTROL DRAWING MOTORIZED VARIABLE TRANSFORMER TYPE: MVM6020E-6Y					
DRAWN BY: TIM RAU		DATE: 8/5/96		FIRST USED ON: MVM6020E-6Y		DO NOT SCALE DWG.		CUSTOMER APPROVAL: _____ DATE: _____			
CHECKER: _____		DATE: _____		WEIGHT APPROX.:		CODE IDENT. NO. 83008		DWG. NO. 032-8384		SHEET 1 OF 2	

