



Chipsmall Limited consists of a professional team with an average of over 10 year of expertise in the distribution of electronic components. Based in Hongkong, we have already established firm and mutual-benefit business relationships with customers from,Europe,America and south Asia,supplying obsolete and hard-to-find components to meet their specific needs.

With the principle of “Quality Parts,Customers Priority,Honest Operation,and Considerate Service”,our business mainly focus on the distribution of electronic components. Line cards we deal with include Microchip,ALPS,ROHM,Xilinx,Pulse,ON,Everlight and Freescale. Main products comprise IC,Modules,Potentiometer,IC Socket,Relay,Connector.Our parts cover such applications as commercial,industrial, and automotives areas.

We are looking forward to setting up business relationship with you and hope to provide you with the best service and solution. Let us make a better world for our industry!



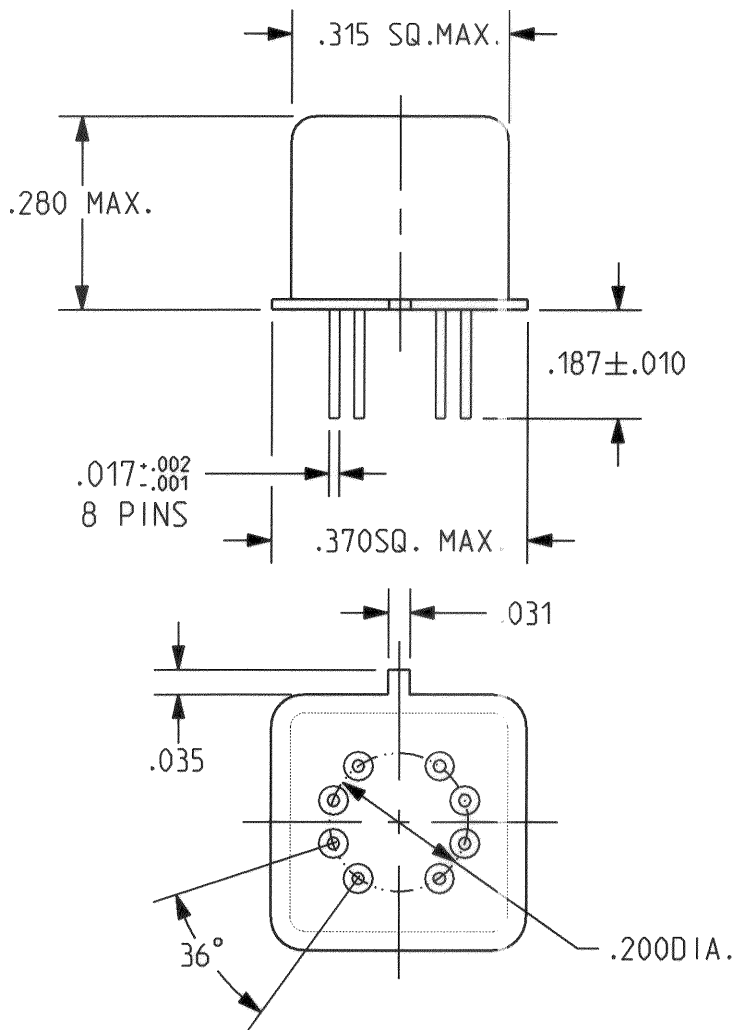
Contact us

Tel: +86-755-8981 8866 Fax: +86-755-8427 6832

Email & Skype: info@chipsmall.com Web: www.chipsmall.com

Address: A1208, Overseas Decoration Building, #122 Zhenhua RD., Futian, Shenzhen, China

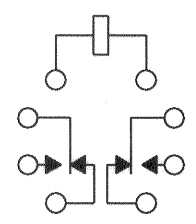




REV. A
DCO 144521

COIL: @ 25°C	
RESISTANCE	880 OHMS ±10%
NOMINAL VOLTAGE	18.0 VDC
MUST OPERATE	10.5 VDC
MUST RELEASE	6.0 VDC MAX, 0.91 VDC MIN.
ENVIRONMENT:	
VIBRATION	10 Hz TO 3000 Hz @ 30 g's
SHOCK	100 g's 11 MS. DURATION
TEMPERATURE	-65 °C TO +125 °C
NOTES:	
OPERATE TIME 2 MS MAX	
RELEASE TIME 1.5 MS MAX	
OPERATE BOUNCE 1.0 MS MAX	
RELEASE BOUNCE 1.5 MS MAX	

CUSTOMER DATA SHEET



TERMINAL VIEW

CONTACT RATING: LOW LEVEL TO 1A
28 VDC RESISTIVE 100,000 OPERATIONS

DR. B.D. 11SEP2008 CKYMB 9/11/08

Tyco Electronics ©COPYRIGHT 2005
TYCO ELECTRONICS CORPORATION
ALL INTERNATIONAL RIGHTS RESERVED

CUST. C. I. I. STD.	TE NUMBER 1617105-5
CUST. NO. REV.	

CII PART NUMBER MW 6HP-18P