



Chipsmall Limited consists of a professional team with an average of over 10 year of expertise in the distribution of electronic components. Based in Hongkong, we have already established firm and mutual-benefit business relationships with customers from,Europe,America and south Asia,supplying obsolete and hard-to-find components to meet their specific needs.

With the principle of “Quality Parts,Customers Priority,Honest Operation,and Considerate Service”,our business mainly focus on the distribution of electronic components. Line cards we deal with include Microchip,ALPS,ROHM,Xilinx,Pulse,ON,Everlight and Freescale. Main products comprise IC,Modules,Potentiometer,IC Socket,Relay,Connector.Our parts cover such applications as commercial,industrial, and automotives areas.

We are looking forward to setting up business relationship with you and hope to provide you with the best service and solution. Let us make a better world for our industry!



## Contact us

Tel: +86-755-8981 8866 Fax: +86-755-8427 6832

Email & Skype: info@chipsmall.com Web: www.chipsmall.com

Address: A1208, Overseas Decoration Building, #122 Zhenhua RD., Futian, Shenzhen, China



# RF LDMOS Wideband Integrated Power Amplifiers

The MW7IC3825N wideband integrated circuit is designed with on-chip matching that makes it usable from 3400–3600 MHz. This multi-stage structure is rated for 26 to 32 Volt operation and covers all typical cellular base station modulation formats.

- Typical WiMAX Performance:  $V_{DD} = 28$  Volts,  $I_{DQ1} = 130$  mA,  $I_{DQ2} = 230$  mA,  $P_{out} = 5$  Watts Avg.,  $f = 3600$  MHz, OFDM 802.16d, 64 QAM  $3/4$ , 4 Bursts, 10 MHz Channel Bandwidth, Input Signal PAR = 9.5 dB @ 0.01% Probability on CCDF.
  - Power Gain — 25 dB
  - Power Added Efficiency — 15%
  - Device Output Signal PAR — 8.5 dB @ 0.01% Probability on CCDF
  - ACPR @ 8.5 MHz Offset — -48 dBc in 1 MHz Channel Bandwidth

## Driver Applications

- Typical WiMAX Performance:  $V_{DD} = 28$  Volts,  $I_{DQ1} = 190$  mA,  $I_{DQ2} = 230$  mA,  $P_{out} = 0.5$  Watts Avg.,  $f = 3400$  and 3600 MHz, OFDM 802.16d, 64 QAM  $3/4$ , 4 Bursts, 10 MHz Channel Bandwidth, Input Signal PAR = 9.5 dB @ 0.01% Probability on CCDF.
  - Power Gain — 23.5 dB
  - Power Added Efficiency — 3.5%
  - Device Output Signal PAR — 9.2 dB @ 0.01% Probability on CCDF
  - ACPR @ 8.5 MHz Offset — -55 dBc in 1 MHz Channel Bandwidth
- Capable of Handling 10:1 VSWR, @ 32 Vdc, 3500 MHz, 25 Watts CW Output Power
- Stable into a 5:1 VSWR. All Spurs Below -60 dBc @ 0 to 44 dBm CW  $P_{out}$
- Typical  $P_{out}$  @ 1 dB Compression Point  $\approx 30$  Watts CW

## Features

- 100% PAR Tested for Guaranteed Output Power Capability
- Characterized with Series Equivalent Large-Signal Impedance Parameters and Common Source S-Parameters
- On-Chip Matching (50 Ohm Input, RF Choke to Ground)
- Integrated Quiescent Current Temperature Compensation with Enable/Disable Function (1)
- Integrated ESD Protection
- Greater Negative Gate-Source Voltage Range for Improved Class C Operation
- 225°C Capable Plastic Package
- RoHS Compliant
- In Tape and Reel. R1 Suffix = 500 Units, 44 mm Tape Width, 13 inch Reel.

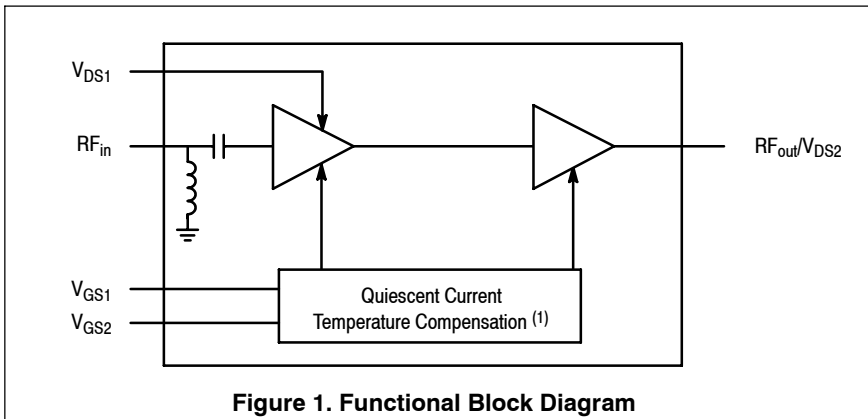


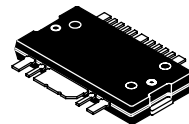
Figure 1. Functional Block Diagram

1. Refer to AN1977, Quiescent Current Thermal Tracking Circuit in the RF Integrated Circuit Family and to AN1987, Quiescent Current Control for the RF Integrated Circuit Device Family. Go to [http://www.freescale.com/rf.Select Documentation/Application Notes - AN1977 or AN1987](http://www.freescale.com/rf.Select%20Documentation/Application%20Notes%20-%20AN1977%20or%20AN1987).

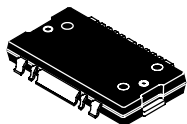
**MW7IC3825NR1**  
**MW7IC3825GNR1**  
**MW7IC3825NBR1**

**3400-3600 MHz, 5 W AVG., 28 V**  
**WiMAX**  
**RF LDMOS WIDEBAND**  
**INTEGRATED POWER AMPLIFIERS**

**CASE 1886-01**  
**TO-270 WB-16**  
**PLASTIC**  
**MW7IC3825NR1**



**CASE 1887-01**  
**TO-270 WB-16 GULL**  
**PLASTIC**  
**MW7IC3825GNR1**



**CASE 1329-09**  
**TO-272 WB-16**  
**PLASTIC**  
**MW7IC3825NBR1**

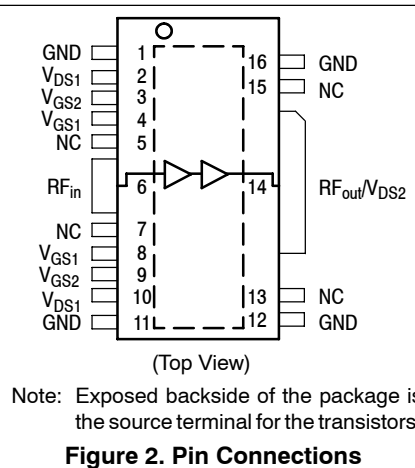
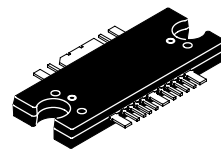


Figure 2. Pin Connections



**Table 1. Maximum Ratings**

Rating	Symbol	Value	Unit
Drain-Source Voltage	$V_{DS}$	-0.5, +65	Vdc
Gate-Source Voltage	$V_{GS}$	-6.0, +10	Vdc
Operating Voltage	$V_{DD}$	32, +0	Vdc
Storage Temperature Range	$T_{stg}$	- 65 to +150	°C
Case Operating Temperature	$T_C$	150	°C
Operating Junction Temperature (1,2)	$T_J$	225	°C
Input Power	$P_{in}$	45	dBm

**Table 2. Thermal Characteristics**

Characteristic	Symbol	Value (2,3)	Unit
Thermal Resistance, Junction to Case	$R_{\theta JC}$		°C/W
WiMAX Application (Case Temperature 71°C, $P_{out} = 5$ W CW)	Stage 1, 28 Vdc, $I_{DQ1} = 130$ mA Stage 2, 28 Vdc, $I_{DQ2} = 230$ mA	4.7 1.3	

**Table 3. ESD Protection Characteristics**

Test Methodology	Class
Human Body Model (per JESD22-A114)	1B (Minimum)
Machine Model (per EIA/JESD22-A115)	A (Minimum)
Charge Device Model (per JESD22-C101)	IV (Minimum)

**Table 4. Moisture Sensitivity Level**

Test Methodology	Rating	Package Peak Temperature	Unit
Per JESD22-A113, IPC/JEDEC J-STD-020	3	260	°C

**Table 5. Electrical Characteristics** ( $T_A = 25^\circ\text{C}$  unless otherwise noted)

Characteristic	Symbol	Min	Typ	Max	Unit
----------------	--------	-----	-----	-----	------

**Stage 1 - Off Characteristics**

Zero Gate Voltage Drain Leakage Current ( $V_{DS} = 65$ Vdc, $V_{GS} = 0$ Vdc)	$I_{DSS}$	—	—	10	$\mu\text{A}_{dc}$
Zero Gate Voltage Drain Leakage Current ( $V_{DS} = 28$ Vdc, $V_{GS} = 0$ Vdc)	$I_{DSS}$	—	—	1	$\mu\text{A}_{dc}$
Gate-Source Leakage Current ( $V_{GS} = 1.5$ Vdc, $V_{DS} = 0$ Vdc)	$I_{GSS}$	—	—	1	$\mu\text{A}_{dc}$

**Stage 1 - On Characteristics**

Gate Threshold Voltage ( $V_{DS} = 10$ Vdc, $I_D = 25$ $\mu\text{A}_{dc}$ )	$V_{GS(th)}$	1.2	2	2.7	Vdc
Gate Quiescent Voltage ( $V_{DS} = 28$ Vdc, $I_{DQ1} = 130$ mA)	$V_{GS(Q)}$	—	2.7	—	Vdc
Fixture Gate Quiescent Voltage (4) ( $V_{DD} = 28$ Vdc, $I_{DQ1} = 130$ mA, Measured in Functional Test)	$V_{GG(Q)}$	3.5	4.2	5	Vdc

1. Continuous use at maximum temperature will affect MTTF.
2. MTTF calculator available at <http://www.freescale.com/rf>. Select Software & Tools/Development Tools/Calculators to access MTTF calculators by product.
3. Refer to AN1955, *Thermal Measurement Methodology of RF Power Amplifiers*. Go to <http://www.freescale.com/rf>. Select Documentation/Application Notes - AN1955.
4.  $V_{GG} = 1.55 \times V_{GS(Q)}$ . Parameter measured on Freescale Test Fixture, due to resistive divider network on the board. Refer to Test Circuit schematic.

(continued)

**Table 5. Electrical Characteristics** ( $T_A = 25^\circ\text{C}$  unless otherwise noted) (continued)

Characteristic	Symbol	Min	Typ	Max	Unit
<b>Stage 2 - Off Characteristics</b>					
Zero Gate Voltage Drain Leakage Current ( $V_{DS} = 65\text{ Vdc}$ , $V_{GS} = 0\text{ Vdc}$ )	$I_{DSS}$	—	—	10	$\mu\text{A dc}$
Zero Gate Voltage Drain Leakage Current ( $V_{DS} = 28\text{ Vdc}$ , $V_{GS} = 0\text{ Vdc}$ )	$I_{DSS}$	—	—	1	$\mu\text{A dc}$
Gate-Source Leakage Current ( $V_{GS} = 1.5\text{ Vdc}$ , $V_{DS} = 0\text{ Vdc}$ )	$I_{GSS}$	—	—	1	$\mu\text{A dc}$

**Stage 2 - On Characteristics**

Gate Threshold Voltage ( $V_{DS} = 10\text{ Vdc}$ , $I_D = 120\ \mu\text{A dc}$ )	$V_{GS(th)}$	1.2	2	2.7	Vdc
Gate Quiescent Voltage ( $V_{DS} = 28\text{ Vdc}$ , $I_{DQ2} = 230\text{ mA}$ )	$V_{GS(Q)}$	—	2.7	—	Vdc
Fixture Gate Quiescent Voltage (1) ( $V_{DD} = 28\text{ Vdc}$ , $I_{DQ2} = 230\text{ mA}$ , Measured in Functional Test)	$V_{GG(Q)}$	2.5	3.3	4	Vdc
Drain-Source On-Voltage ( $V_{GS} = 10\text{ Vdc}$ , $I_D = 1\text{ A dc}$ )	$V_{DS(on)}$	0.2	0.5	1.2	Vdc

**Stage 2 - Dynamic Characteristics (2)**

Output Capacitance ( $V_{DS} = 28\text{ Vdc} \pm 30\text{ mV(rms)ac}$ @ 1 MHz, $V_{GS} = 0\text{ Vdc}$ )	$C_{oss}$	—	72.3	—	pF
---	-----------	---	------	---	----

**Functional Tests (3)** (In Freescale Test Fixture, 50 ohm system)  $V_{DD} = 28\text{ Vdc}$ ,  $I_{DQ1} = 130\text{ mA}$ ,  $I_{DQ2} = 230\text{ mA}$ ,  $P_{out} = 5\text{ W Avg.}$ ,  $f = 3600\text{ MHz}$ , WiMAX, OFDM 802.16d, 64 QAM  $3/4$ , 4 Bursts, 10 MHz Channel Bandwidth, Input Signal PAR = 9.5 dB @ 0.01% Probability on CCDF. ACPR measured in 1 MHz Channel Bandwidth @  $\pm 8.5\text{ MHz}$  Offset.

Power Gain	$G_{ps}$	21	25	32	dB
Power Added Efficiency	PAE	12	15	—	%
Output Peak-to-Average Ratio @ 0.01% Probability on CCDF	PAR	7.5	8.5	—	dB
Adjacent Channel Power Ratio	ACPR	—	-48	-45	dBc
Input Return Loss	IRL	—	-12	-6	dB

**Typical Performances OFDM Signal - 10 MHz Channel Bandwidth** (In Freescale Test Fixture, 50 ohm system)  $V_{DD} = 28\text{ Vdc}$ ,  $I_{DQ1} = 130\text{ mA}$ ,  $I_{DQ2} = 230\text{ mA}$ ,  $P_{out} = 5\text{ W Avg.}$ ,  $f = 3400\text{ MHz}$  and  $f = 3600\text{ MHz}$ , WiMAX, OFDM 802.16d, 64 QAM  $3/4$ , 4 Bursts, 10 MHz Channel Bandwidth, Input Signal PAR = 9.5 dB @ 0.01% Probability on CCDF.

Relative Constellation Error (4)	RCE	—	-33	—	dB
Error Vector Magnitude (4)	EVM	—	2.2	—	% rms

- $V_{GG} = 1.22 \times V_{GS(Q)}$ . Parameter measured on Freescale Test Fixture, due to resistive divider network on the board. Refer to Test Circuit schematic.
- Part internally matched both on input and output.
- Measurement made with device in straight lead configuration before any lead forming operation is applied.
- $RCE = 20\text{Log}(EVM/100)$ .

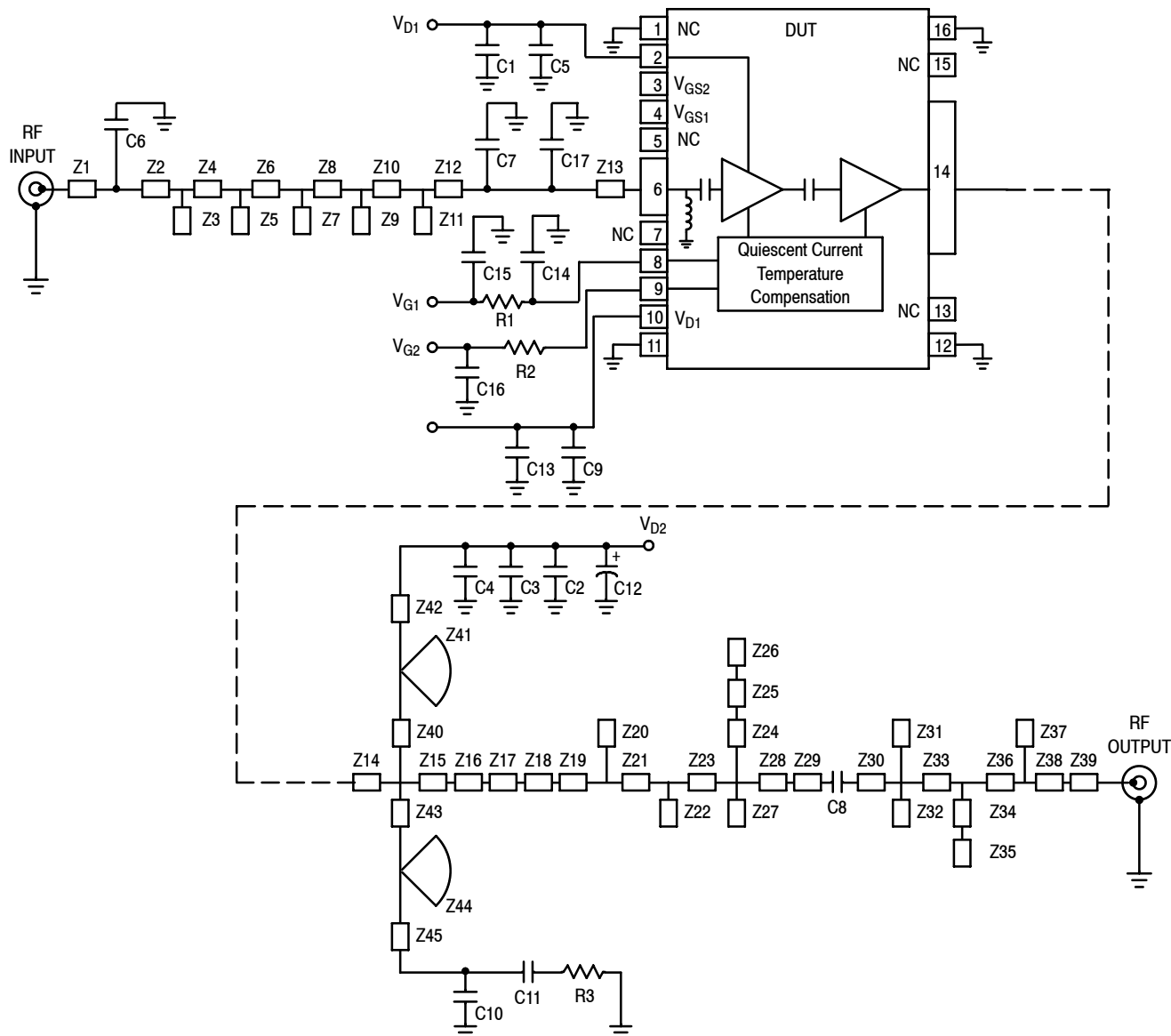
(continued)

**Table 5. Electrical Characteristics** ( $T_A = 25^\circ\text{C}$  unless otherwise noted) (continued)

Characteristic	Symbol	Min	Typ	Max	Unit
<b>Typical Performances</b> (In Freescale Test Fixture, 50 ohm system) $V_{DD} = 28\text{ Vdc}$ , $I_{DQ1} = 130\text{ mA}$ , $I_{DQ2} = 230\text{ mA}$ , 3400–3600 MHz Bandwidth					
$P_{out}$ @ 1 dB Compression Point, CW	P1dB	—	30	—	W
IMD Symmetry @ 2 W PEP, $P_{out}$ where IMD Third Order Intermodulation $\cong 30\text{ dBc}$ (Delta IMD Third Order Intermodulation between Upper and Lower Sidebands $> 2\text{ dB}$ )	IMD <sub>sym</sub>	—	83	—	MHz
VBW Resonance Point (IMD Third Order Intermodulation Inflection Point)	VBW <sub>res</sub>	—	90	—	MHz
Gain Flatness in 200 MHz Bandwidth @ $P_{out} = 5\text{ W Avg.}$	$G_F$	—	0.7	—	dB
Average Deviation from Linear Phase in 200 MHz Bandwidth @ $P_{out} = 25\text{ W CW}$	$\Phi$	—	3.15	—	$^\circ$
Average Group Delay @ $P_{out} = 25\text{ W CW}$ , $f = 3500\text{ MHz}$	Delay	—	3.21	—	ns
Part-to-Part Insertion Phase Variation @ $P_{out} = 25\text{ W CW}$ , $f = 3500\text{ MHz}$ , Six Sigma Window	$\Delta\Phi$	—	13.88	—	$^\circ$
Gain Variation over Temperature ( $-30^\circ\text{C}$ to $+85^\circ\text{C}$ )	$\Delta G$	—	0.046	—	dB/ $^\circ\text{C}$
Output Power Variation over Temperature ( $-30^\circ\text{C}$ to $+85^\circ\text{C}$ )	$\Delta P1\text{dB}$	—	0.015	—	dB/ $^\circ\text{C}$

**Typical Driver Performances** (In Freescale Test Fixture, 50 ohm system)  $V_{DD} = 28\text{ Vdc}$ ,  $I_{DQ1} = 190\text{ mA}$ ,  $I_{DQ2} = 230\text{ mA}$ ,  $P_{out} = 0.5\text{ W Avg.}$ ,  $f = 3400\text{ MHz}$  and  $f = 3600\text{ MHz}$ , WiMAX, OFDM 802.16d, 64 QAM  $3/4$ , 4 Bursts, 10 MHz Channel Bandwidth, Input Signal PAR = 9.5 dB @ 0.01% Probability on CCDF. ACPR measured in 1 MHz Channel Bandwidth @  $\pm 8.5\text{ MHz}$  Offset.

Power Gain	$G_{ps}$	—	23.5	—	dB
Power Added Efficiency	PAE	—	3.5	—	%
Output Peak-to-Average Ratio @ 0.01% Probability on CCDF	PAR	—	9.2	—	dB
Adjacent Channel Power Ratio	ACPR	—	-55	—	dBc
Input Return Loss	IRL	—	-12	—	dB

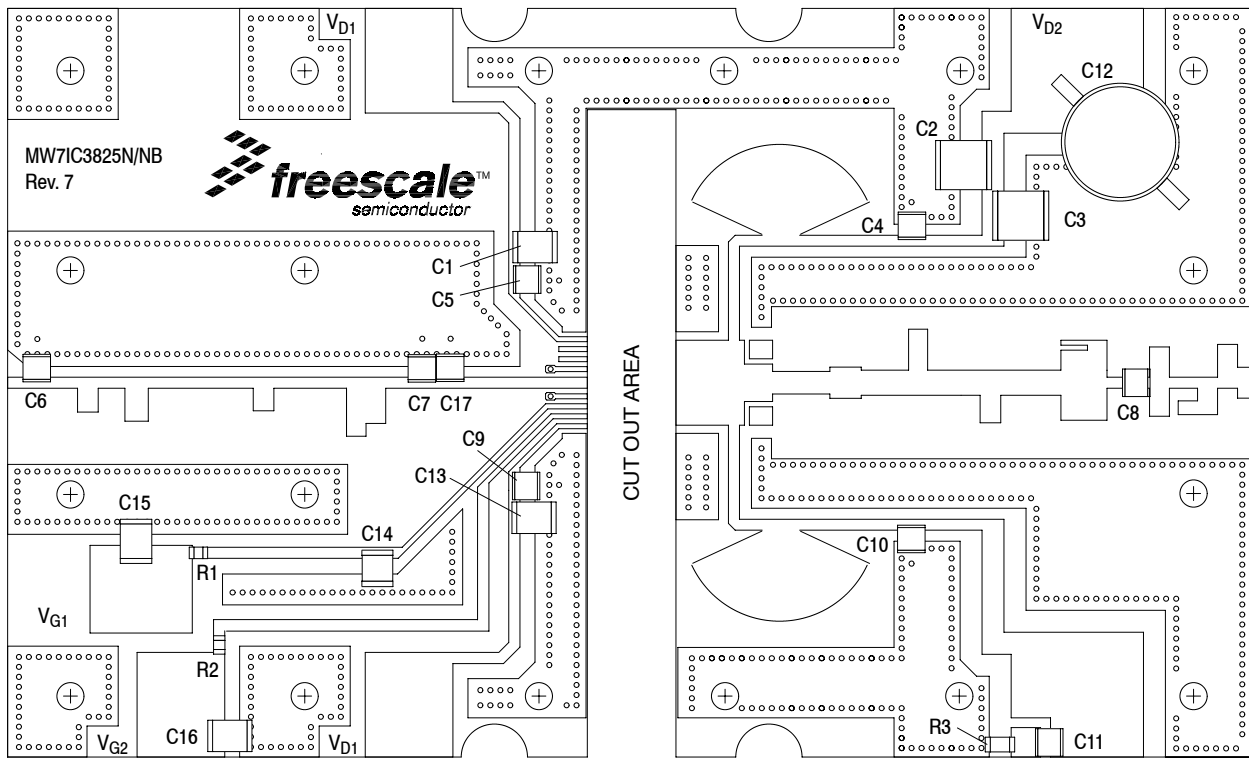


Z1	0.118" x 0.044" Microstrip	Z17	0.230" x 0.090" Microstrip	Z32	0.080" x 0.112" Microstrip
Z2	0.205" x 0.044" Microstrip	Z18	0.125" x 0.125" Microstrip	Z33	0.193" x 0.044" Microstrip
Z3	0.083" x 0.096" Microstrip	Z19	0.228" x 0.100" Microstrip	Z34	0.080" x 0.051" Microstrip
Z4	0.195" x 0.044" Microstrip	Z20	0.076" x 0.165" Microstrip	Z35	0.157" x 0.055" Microstrip
Z5	0.094" x 0.132" Microstrip	Z21	0.289" x 0.100" Microstrip	Z36	0.080" x 0.044" Microstrip
Z6	0.509" x 0.044" Microstrip	Z22	0.083" x 0.110" Microstrip	Z37	0.080" x 0.131" Microstrip
Z7	0.083" x 0.091" Microstrip	Z23	0.375" x 0.100" Microstrip	Z38	0.040" x 0.044" Microstrip
Z8	0.372" x 0.044" Microstrip	Z24	0.185" x 0.080" Microstrip	Z39	0.073" x 0.044" Microstrip
Z9	0.078" x 0.192" Microstrip	Z25	0.079" x 0.020" Microstrip	Z40	0.574" x 0.044" Microstrip
Z10	0.078" x 0.044" Microstrip	Z26	0.185" x 0.020" Microstrip	Z41	L = 0.305" wi = 0.150" Angle = 130° Microstrip
Z11	0.079" x 0.141" Microstrip	Z27	0.185" x 0.100" Microstrip	Z42	0.523" x 0.044" Microstrip
Z12	0.243" x 0.044" Microstrip	Z28	0.093" x 0.100" Microstrip	Z43	0.574" x 0.044" Microstrip
Z13	0.605" x 0.044" Microstrip	Z29	0.063" x 0.044" Microstrip	Z44	L = 0.305" wi = 0.150" Angle = 130° Microstrip
Z14	0.232" x 0.340" Microstrip	Z30	0.103" x 0.044" Microstrip	Z45	0.523" x 0.044" Microstrip
Z15	0.042" x 0.340" Microstrip	Z31	0.080" x 0.121" Microstrip	PCB	Taconic TLX8-0300, 0.020", $\epsilon_r = 2.55$
Z16	0.112" x 0.150" Microstrip				

Figure 3. MW7IC3825NR1(GNR1)(NBR1) Test Circuit Schematic

**Table 6. MW7IC3825NR1(GNR1)(NBR1) Test Circuit Component Designations and Values**

Part	Description	Part Number	Manufacturer
C1, C13, C14	2.2 $\mu$ F, 50 V Chip Capacitors	C3225X7R1H225M	TDK
C2, C3	10 $\mu$ F, 50 V Chip Capacitors	C5750X5R1H106M	TDK
C4, C5, C9, C10	2.2 pF Chip Capacitors	ATC100B2R2BT500XT	ATC
C6, C7	0.5 pF Chip Capacitors	ATC100B0R5BT500XT	ATC
C8	2 pF Chip Capacitor	ATC100B2R0BT500XT	ATC
C11	33 pF Chip Capacitor	ATC100B330JT500XT	ATC
C12	220 $\mu$ F, 63 V Electrolytic Capacitor	222213668221	BC Components
C15, C16	4.7 $\mu$ F, 50 V Chip Capacitors	C4532X5R1H475M	TDK
C17	0.3 pF Chip Capacitor	ATC100B0R3BT500XT	ATC
R1, R2	1 k $\Omega$ , 1/8 W Chip Resistors	CRCW08051001FKEA	Vishay
R3	10 $\Omega$ , 1/4 W Chip Resistor	CRCW120610R0FKEA	Vishay



**Figure 4. MW7IC3825NR1(GNR1)(NBR1) Test Circuit Component Layout**

### TYPICAL CHARACTERISTICS

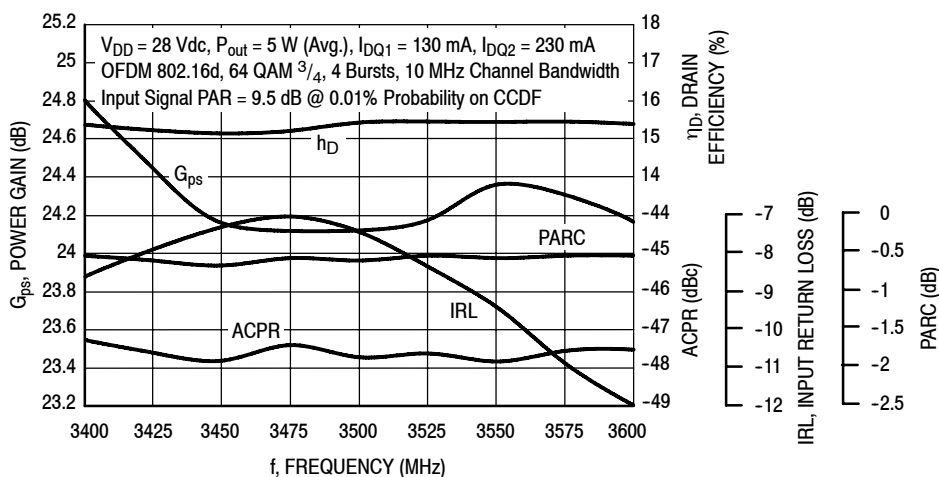


Figure 5. WiMAX Broadband Performance @  $P_{out} = 5$  Watts Avg.

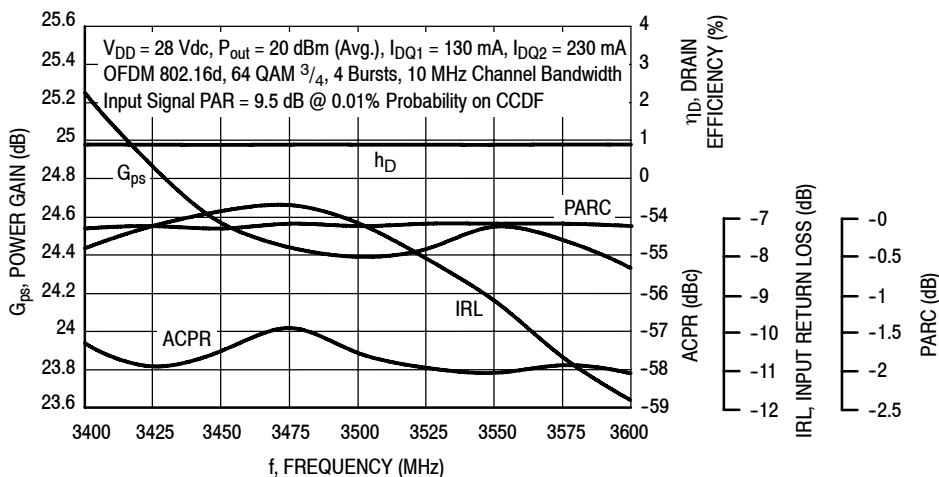


Figure 6. WiMAX Broadband Performance @  $P_{out} = 20$  dBm Avg.

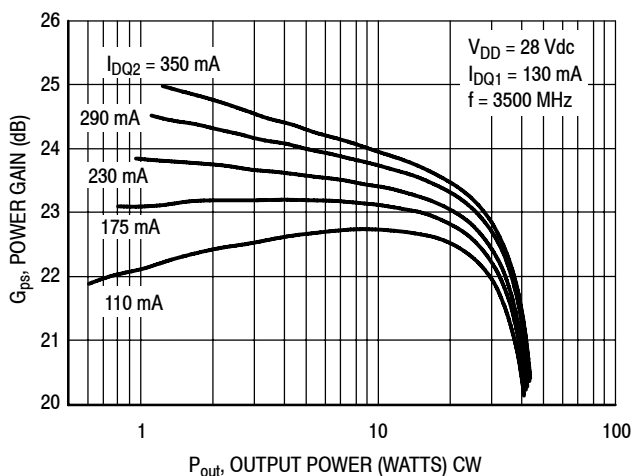


Figure 7. Power Gain versus Output Power @  $I_{DQ1} = 130$  mA

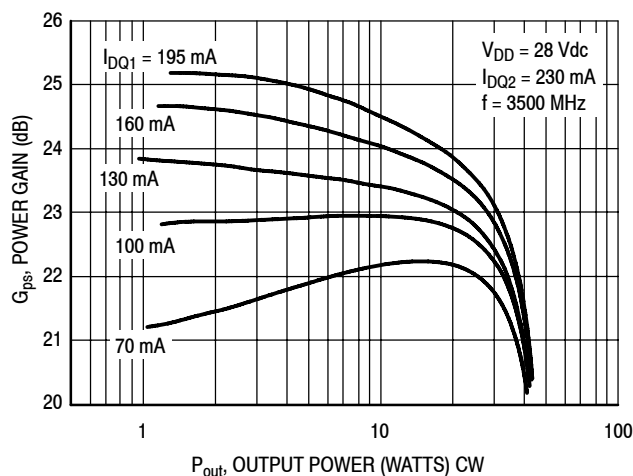
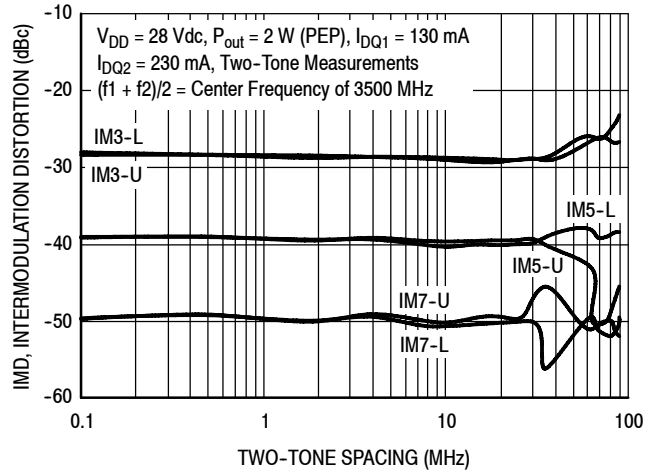


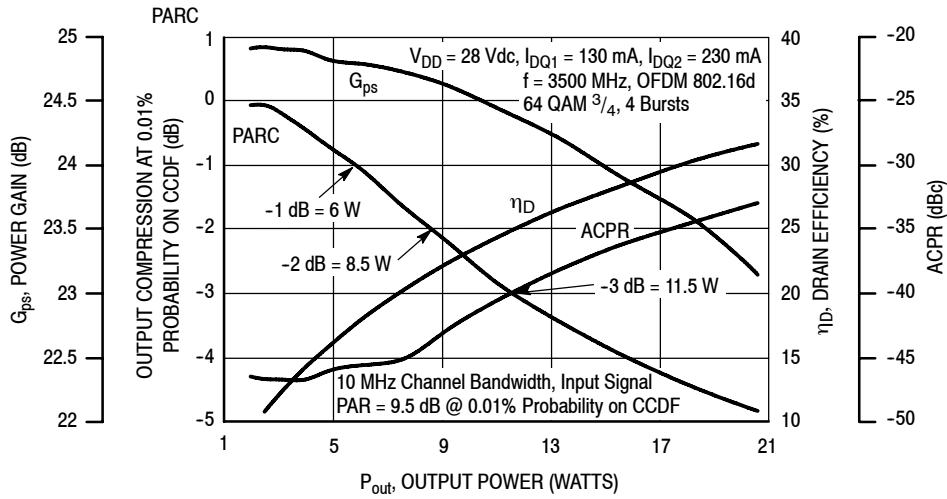
Figure 8. Power Gain versus Output Power @  $I_{DQ2} = 230$  mA



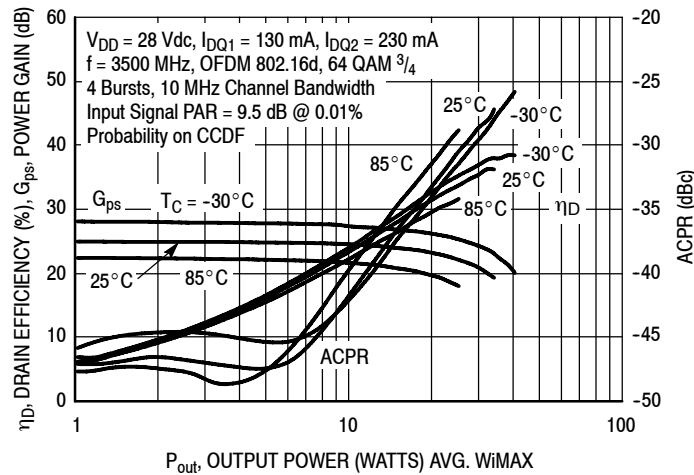
### TYPICAL CHARACTERISTICS



**Figure 9. Intermodulation Distortion Products versus Tone Spacing**

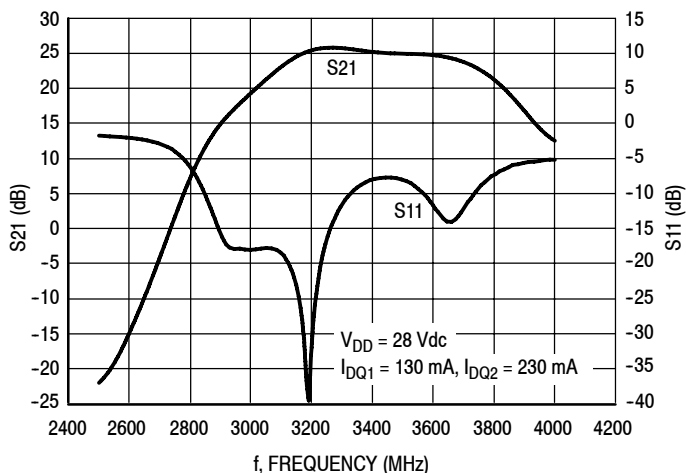


**Figure 10. Output Peak-to-Average Ratio Compression (PARC) versus Output Power**

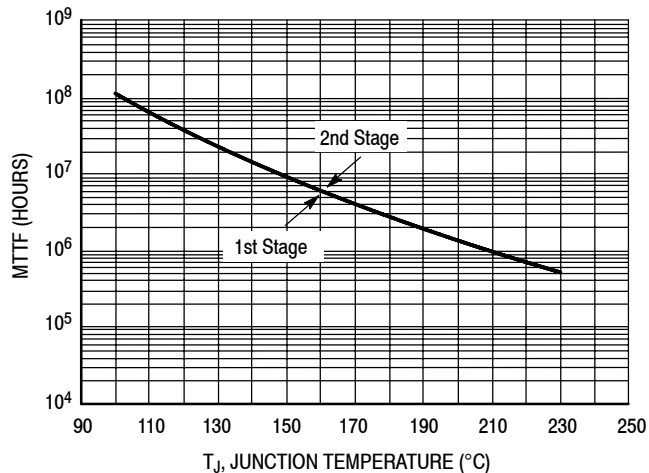


**Figure 11. WiMAX, ACPR, Power Gain and Drain Efficiency versus Output Power**

### TYPICAL CHARACTERISTICS



**Figure 12. Broadband Frequency Response**

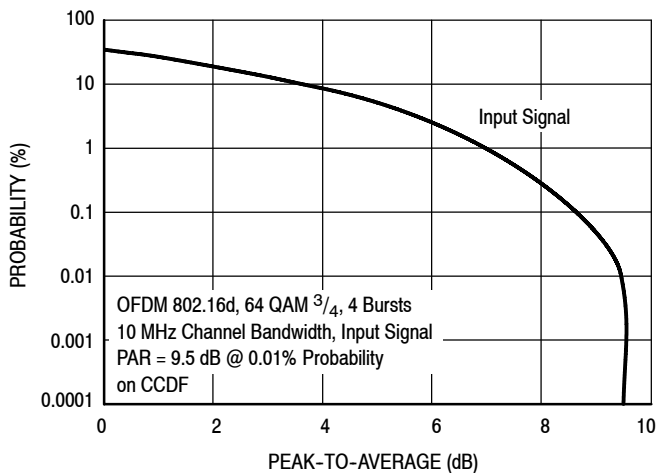


This above graph displays calculated MTTF in hours when the device is operated at  $V_{DD} = 28$  Vdc,  $P_{out} = 5$  W Avg., and PAE = 15%.

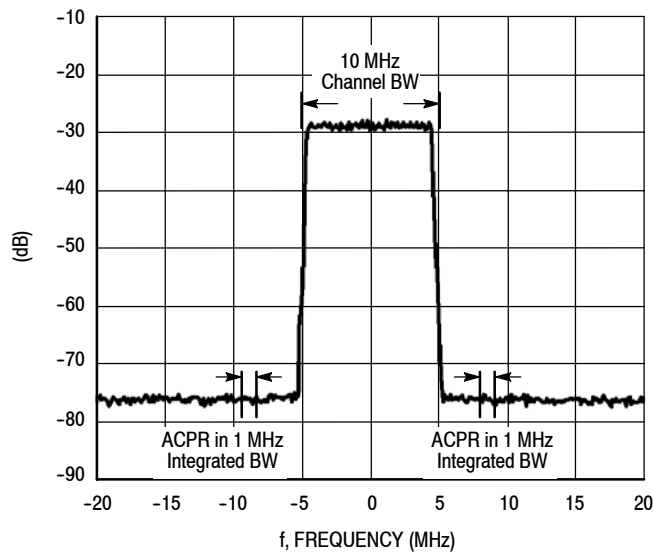
MTTF calculator available at <http://www.freescale.com/rf>. Select Software & Tools/Development Tools/Calculators to access MTTF calculators by product.

**Figure 13. MTTF versus Junction Temperature**

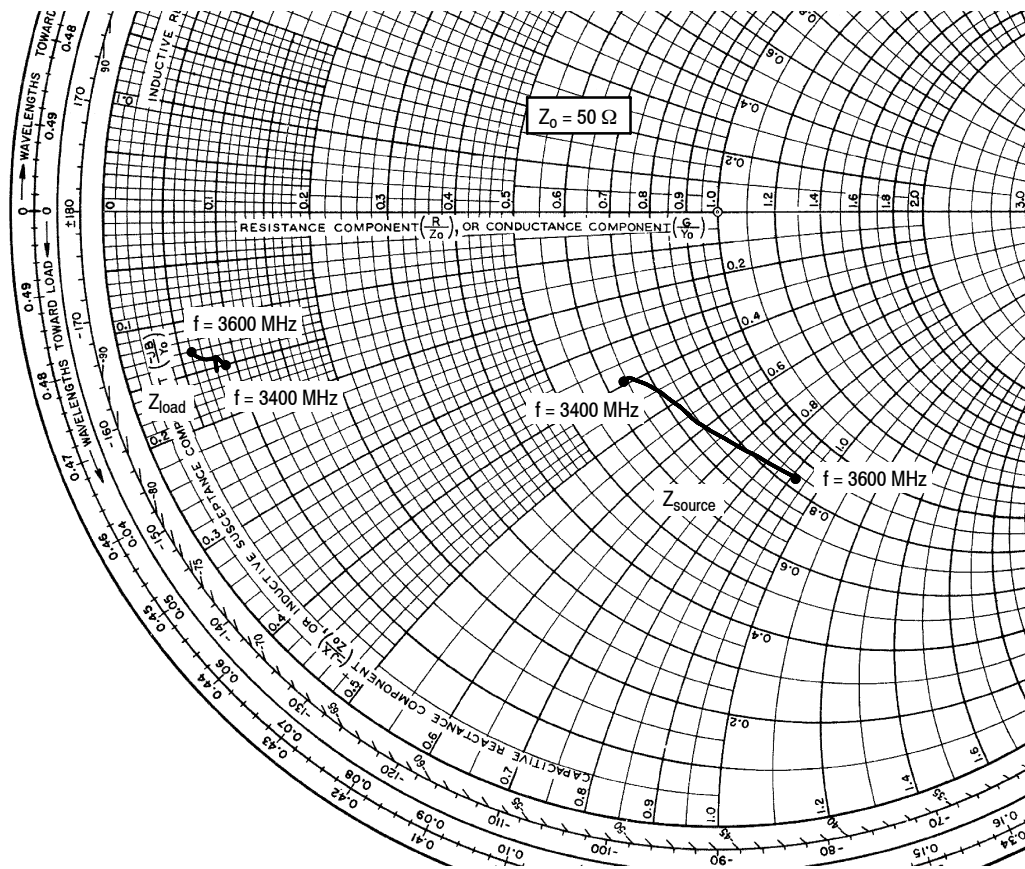
### WIMAX TEST SIGNAL



**Figure 14. OFDM 802.16d Test Signal**



**Figure 15. WIMAX Spectrum Mask Specifications**



$V_{DD} = 28 \text{ Vdc}$ ,  $I_{DQ1} = 130 \text{ mA}$ ,  $I_{DQ2} = 230 \text{ mA}$ ,  $P_{out} = 5 \text{ W Avg.}$

f MHz	$Z_{source}$ $\Omega$	$Z_{load}$ $\Omega$
3400	31.82 - j19.29	4.58 - j7.62
3425	32.86 - j19.70	4.42 - j7.33
3450	33.95 - j20.93	4.22 - j7.20
3475	35.11 - j22.97	4.13 - j7.22
3500	36.33 - j25.82	4.13 - j7.26
3525	37.61 - j29.49	4.07 - j7.20
3550	38.95 - j33.97	3.81 - j6.99
3575	40.35 - j39.26	3.48 - j6.77
3600	41.81 - j45.37	3.21 - j6.72

$Z_{source}$  = Test circuit impedance as measured from gate to ground.

$Z_{load}$  = Test circuit impedance as measured from drain to ground.

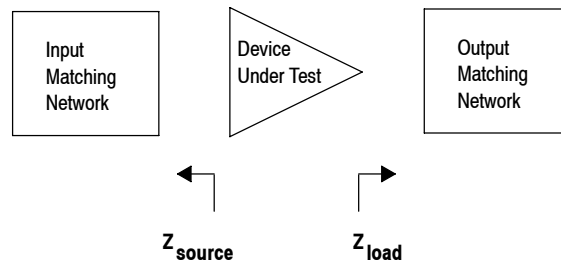
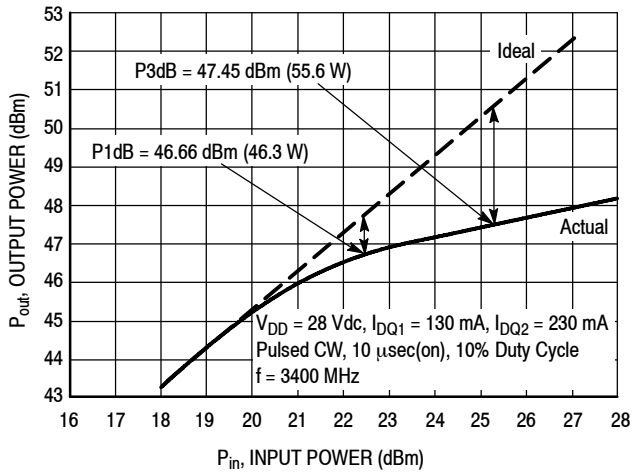


Figure 16. Series Equivalent Source and Load Impedance

**Table 7. Common Source S-Parameters** ( $V_{DD} = 28\text{ V}$ ,  $I_{DQ1} = 130\text{ mA}$ ,  $I_{DQ2} = 230\text{ mA}$ ,  $T_A = 25^\circ\text{C}$ , 50 Ohm System)

f MHz	S <sub>11</sub>		S <sub>21</sub>		S <sub>12</sub>		S <sub>22</sub>	
	S <sub>11</sub>	∠ φ	S <sub>21</sub>	∠ φ	S <sub>12</sub>	∠ φ	S <sub>22</sub>	∠ φ
3000	0.260	-47.0	7.550	-61.6	0.00485	-43.9	0.724	-87.7
3050	0.177	-63.4	8.610	-102.0	0.00423	-72.7	0.713	-113.0
3100	0.139	-68.0	10.000	-143.0	0.00424	-98.1	0.675	-141.0
3150	0.117	-59.6	11.300	177.0	0.00293	-122.0	0.612	-166.0
3200	0.190	-61.1	13.600	139.0	0.00322	-98.2	0.627	171.0
3250	0.283	-85.6	16.800	95.7	0.00533	-118.0	0.629	138.0
3300	0.395	-118.0	19.900	49.1	0.00762	-146.0	0.547	102.0
3350	0.493	-155.0	22.300	0.9	0.00950	-178.0	0.421	65.9
3400	0.575	166.0	24.000	-48.3	0.0116	148.0	0.235	23.1
3450	0.603	126.0	23.800	-99.4	0.0132	111.0	0.053	-130.0
3500	0.537	82.8	19.900	-155.0	0.0135	58.2	0.409	124.0
3550	0.479	56.7	15.600	165.0	0.00994	27.0	0.509	80.6
3600	0.458	29.8	12.900	128.0	0.00810	1.1	0.585	49.7
3650	0.465	1.3	11.200	94.1	0.00680	-19.7	0.637	21.3
3700	0.427	-27.1	9.830	58.3	0.00636	-42.4	0.672	-4.3
3750	0.429	-53.0	8.600	25.7	0.00546	-65.7	0.707	-28.9
3800	0.407	-81.6	7.770	-7.2	0.00476	-82.1	0.730	-53.8
3850	0.395	-110.0	7.020	-39.8	0.00445	-97.7	0.752	-77.2
3900	0.388	-139.0	6.380	-71.8	0.00421	-113.0	0.761	-102.0
3950	0.384	-167.0	5.900	-104.0	0.00454	-126.0	0.779	-125.0
4000	0.389	165.0	5.460	-135.0	0.00531	-145.0	0.779	-150.0

## ALTERNATIVE PEAK TUNE LOAD PULL CHARACTERISTICS

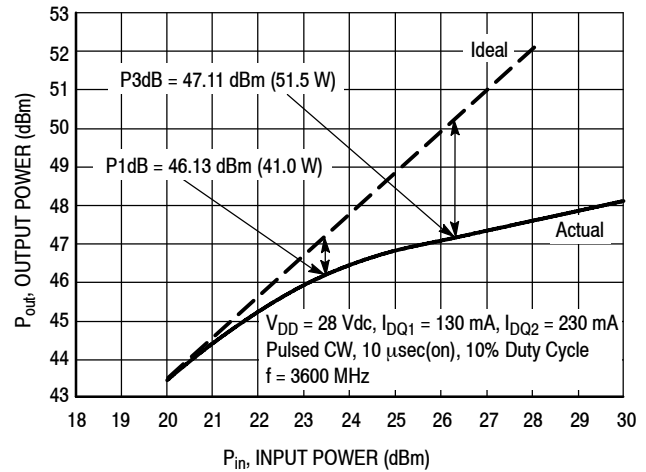


NOTE: Load Pull Test Fixture Tuned for Peak P1dB Output Power @ 28 V

Test Impedances per Compression Level

	$Z_{source}$ $\Omega$	$Z_{load}$ $\Omega$
P1dB	52.4 - j42.5	3.5 - j8.5

**Figure 17. Pulsed CW Output Power versus Input Power @ 28 V @ 3400 MHz**



NOTE: Load Pull Test Fixture Tuned for Peak P1dB Output Power @ 28 V

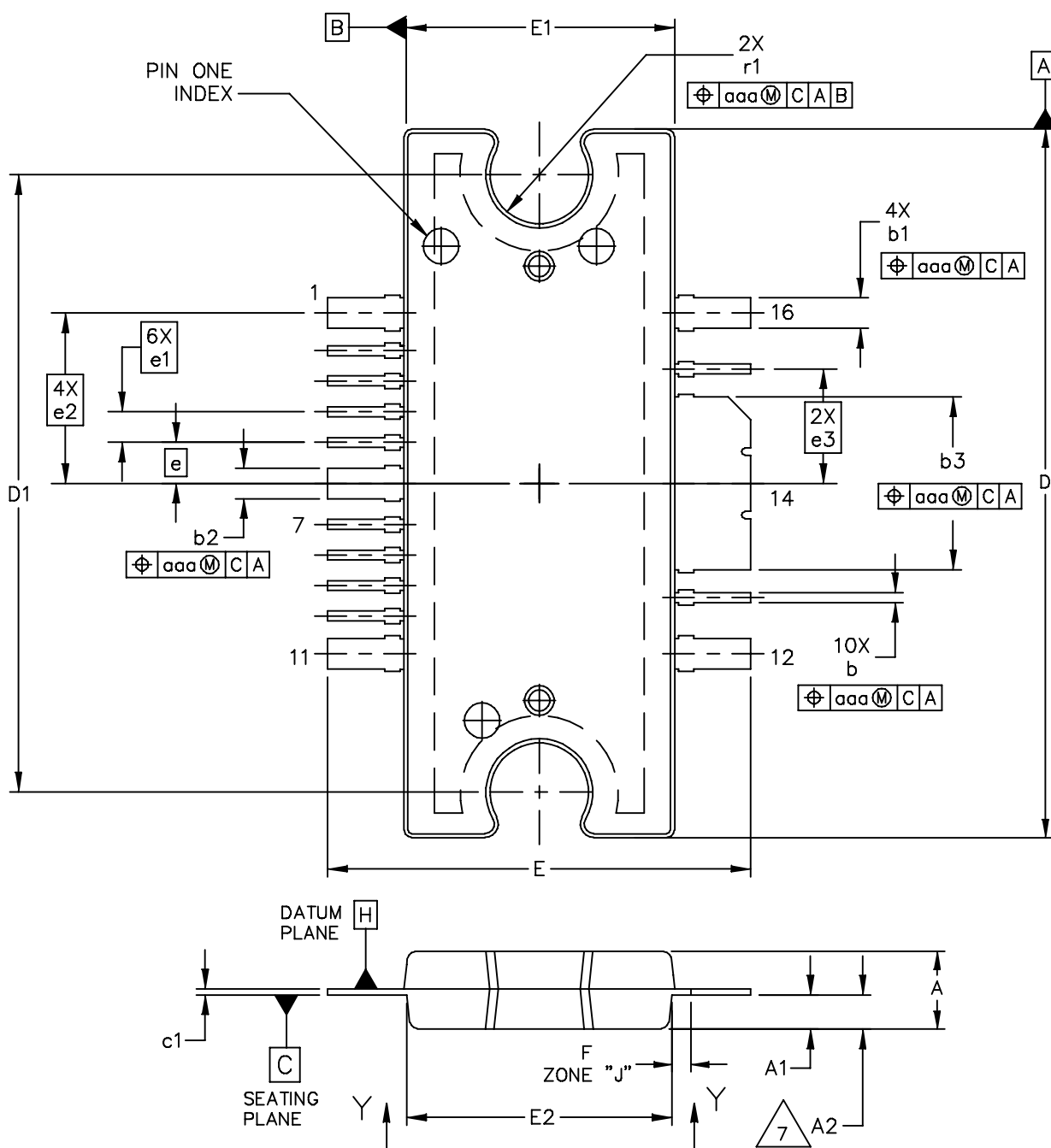
Test Impedances per Compression Level

	$Z_{source}$ $\Omega$	$Z_{load}$ $\Omega$
P1dB	126.6 - j41.9	3.3 - j8.3

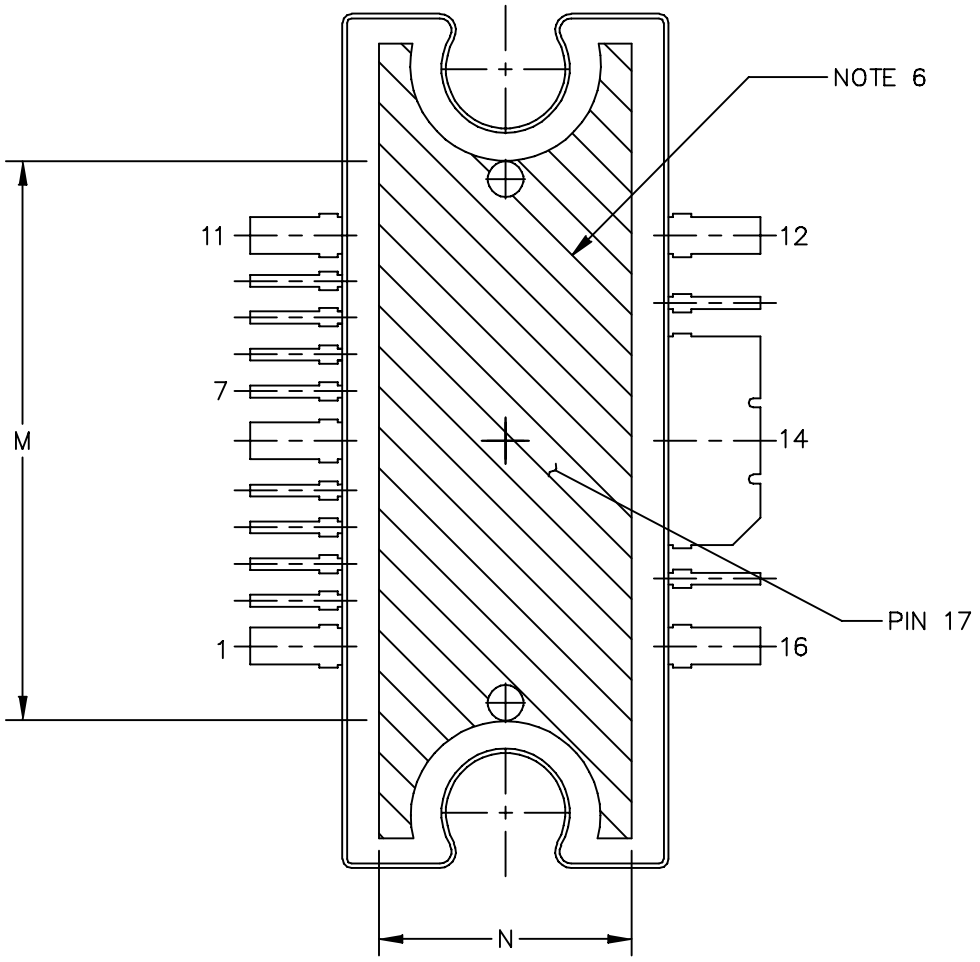
**Figure 18. Pulsed CW Output Power versus Input Power @ 28 V @ 3600 MHz**



**PACKAGE DIMENSIONS**



© FREESCALE SEMICONDUCTOR, INC. ALL RIGHTS RESERVED.	MECHANICAL OUTLINE	PRINT VERSION NOT TO SCALE	
TITLE: TO-272 WIDE BODY MULTI-LEAD	DOCUMENT NO: 98ARH99164A	REV: P	
	CASE NUMBER: 1329-09	18 MAY 2010	
	STANDARD: NON-JEDEC		



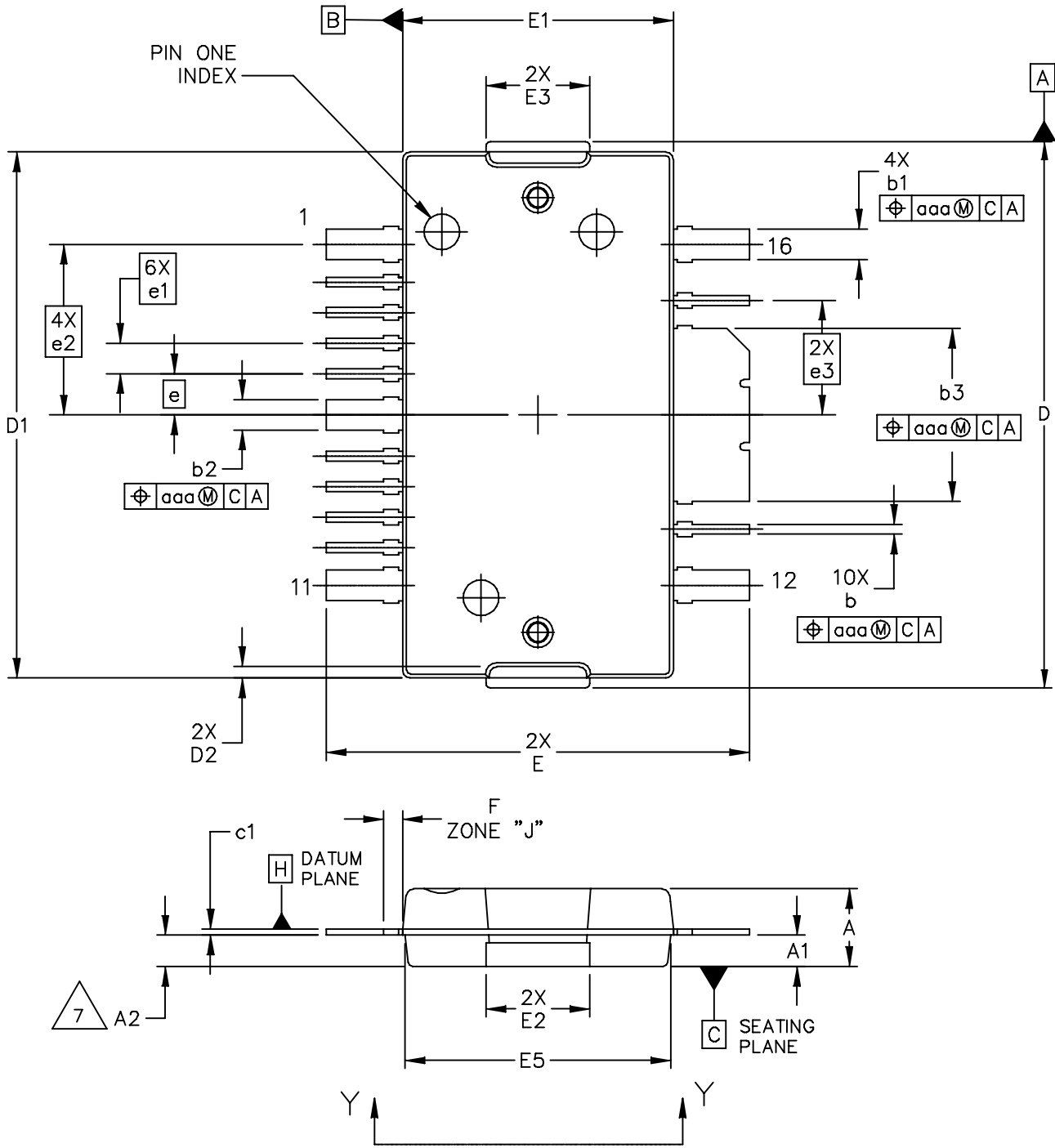
VIEW Y-Y

© FREESCALE SEMICONDUCTOR, INC. ALL RIGHTS RESERVED.	MECHANICAL OUTLINE	PRINT VERSION NOT TO SCALE	
TITLE: TO-272 WIDE BODY MULTI-LEAD	DOCUMENT NO: 98ARH99164A	REV: P	
	CASE NUMBER: 1329-09	18 MAY 2010	
	STANDARD: NON-JEDEC		

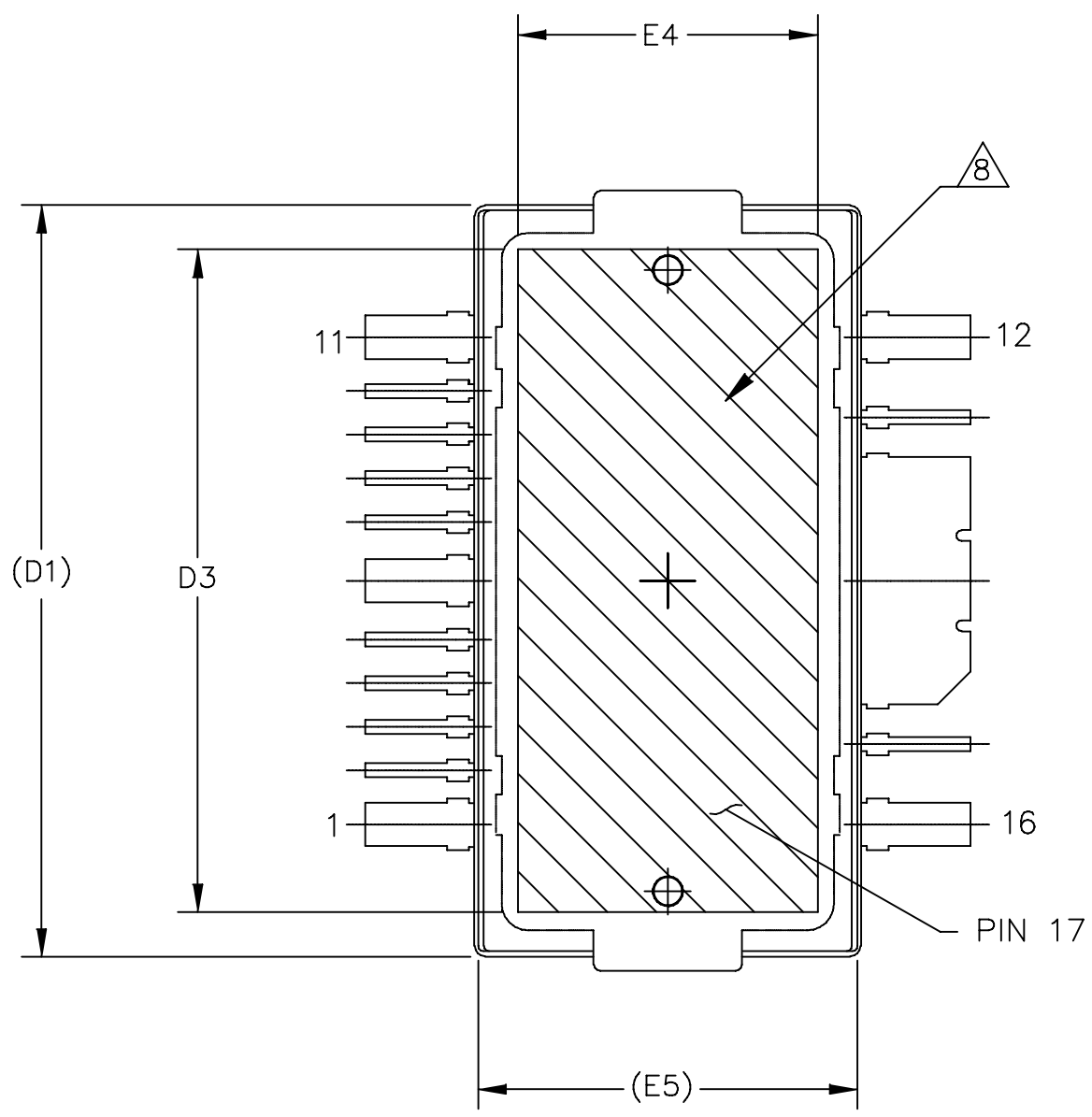
NOTES:

1. CONTROLLING DIMENSION: INCH
2. INTERPRET DIMENSIONS AND TOLERANCES PER ASME Y14.5M-1994.
3. DATUM PLANE -H- IS LOCATED AT THE TOP OF LEAD AND IS COINCIDENT WITH THE LEAD WHERE THE LEAD EXITS THE PLASTIC BODY AT THE TOP OF THE PARTING LINE.
4. DIMENSIONS "D" AND "E1" DO NOT INCLUDE MOLD PROTRUSION. ALLOWABLE PROTRUSION IS .006 (0.15) PER SIDE. DIMENSIONS "D" AND "E1" DO INCLUDE MOLD MISMATCH AND ARE DETERMINED AT DATUM PLANE -H-.
5. DIMENSIONS "b", "b1", "b2" AND "b3" DO NOT INCLUDE DAMBAR PROTRUSION. ALLOWABLE DAMBAR PROTRUSION SHALL BE .005 (0.13) TOTAL IN EXCESS OF THE "b", "b1", "b2" AND "b3" DIMENSIONS AT MAXIMUM MATERIAL CONDITION.
6. HATCHING REPRESENTS THE EXPOSED AREA OF THE HEAT SLUG. HATCHED AREA SHOWN IS ON THE SAME PLANE.
7. DIM A2 APPLIES WITHIN ZONE "J" ONLY.

DIM	INCH		MILLIMETER		DIM	INCH		MILLIMETER	
	MIN	MAX	MIN	MAX		MIN	MAX	MIN	MAX
A	.100	.104	2.54	2.64	b	.011	.017	0.28	0.43
A1	.038	.044	0.96	1.12	b1	.037	.043	0.94	1.09
A2	.040	.042	1.02	1.07	b2	.037	.043	0.94	1.09
D	.928	.932	23.57	23.67	b3	.225	.231	5.72	5.87
D1	.810 BSC		20.57 BSC		c1	.007	.011	.18	.28
E	.551	.559	14.00	14.20	e	.054 BSC		1.37 BSC	
E1	.353	.357	8.97	9.07	e1	.040 BSC		1.02 BSC	
E2	.346	.350	8.79	8.89	e2	.224 BSC		5.69 BSC	
F	.025 BSC		0.64 BSC		e3	.150 BSC		3.81 BSC	
M	.600	----	15.24	----	r1	.063	.068	1.6	1.73
N	.270	----	6.86	----	aaa	.004		.10	
© FREESCALE SEMICONDUCTOR, INC. ALL RIGHTS RESERVED.			MECHANICAL OUTLINE			PRINT VERSION NOT TO SCALE			
TITLE: TO-272 WIDE BODY MULTI-LEAD					DOCUMENT NO: 98ARH99164A			REV: P	
					CASE NUMBER: 1329-09			18 MAY 2010	
					STANDARD: NON-JEDEC				



© FREESCALE SEMICONDUCTOR, INC. ALL RIGHTS RESERVED.		MECHANICAL OUTLINE	PRINT VERSION NOT TO SCALE
TITLE: TO-270 WIDE BODY 16 LEAD	DOCUMENT NO: 98ASA10754D		REV: A
	CASE NUMBER: 1886-01		31 AUG 2007
	STANDARD: NON-JEDEC		



VIEW Y-Y

© FREESCALE SEMICONDUCTOR, INC. ALL RIGHTS RESERVED.	MECHANICAL OUTLINE	PRINT VERSION NOT TO SCALE	
TITLE: TO-270 WIDE BODY 16 LEAD	DOCUMENT NO: 98ASA10754D	REV: A	
	CASE NUMBER: 1886-01	31 AUG 2007	
	STANDARD: NON-JEDEC		

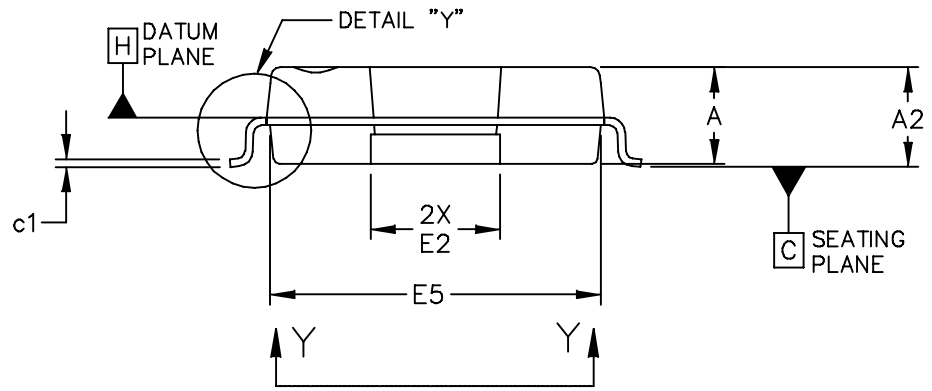
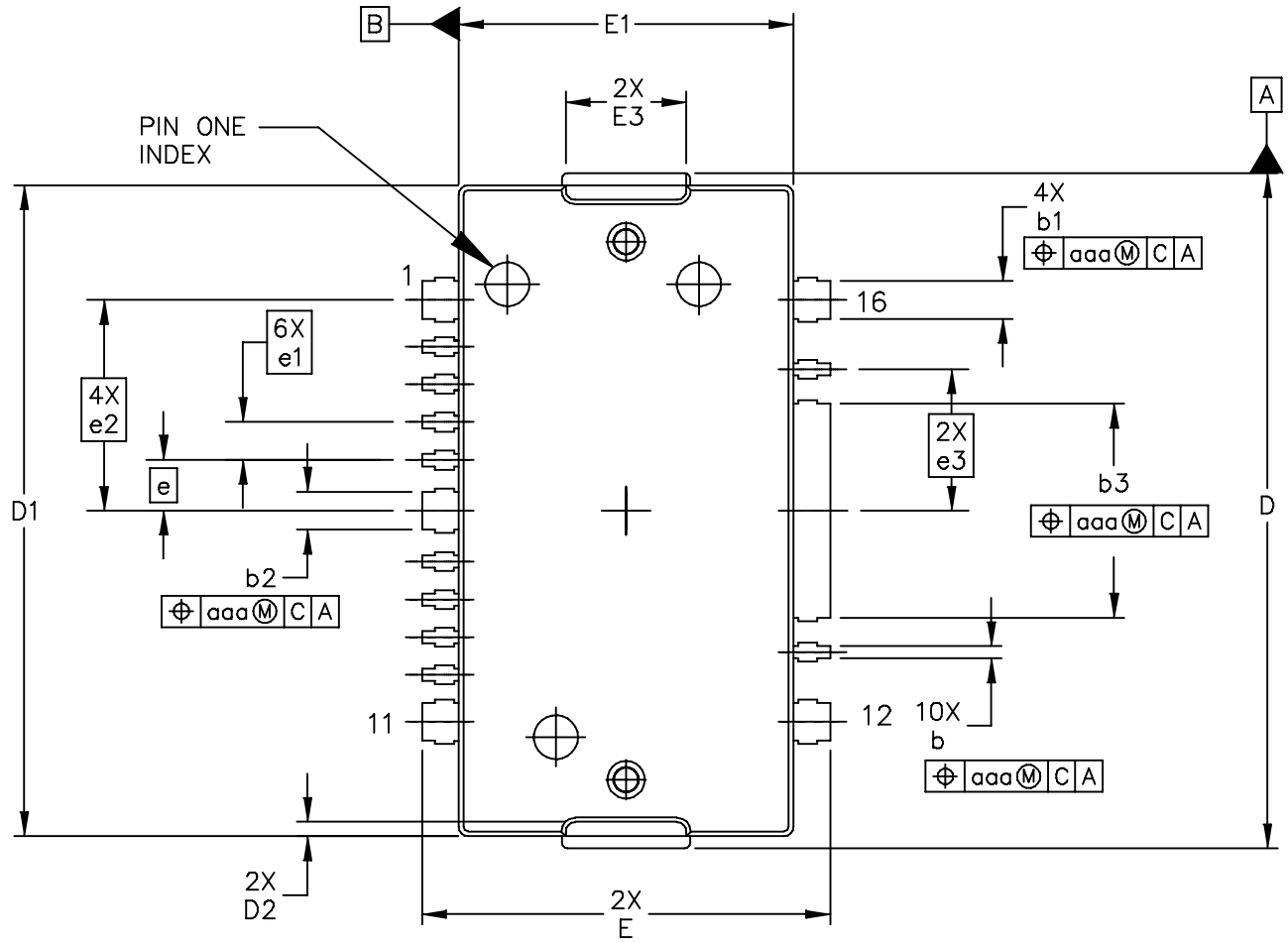
MW7IC3825NR1 MW7IC3825GNR1 MW7IC3825NBR1



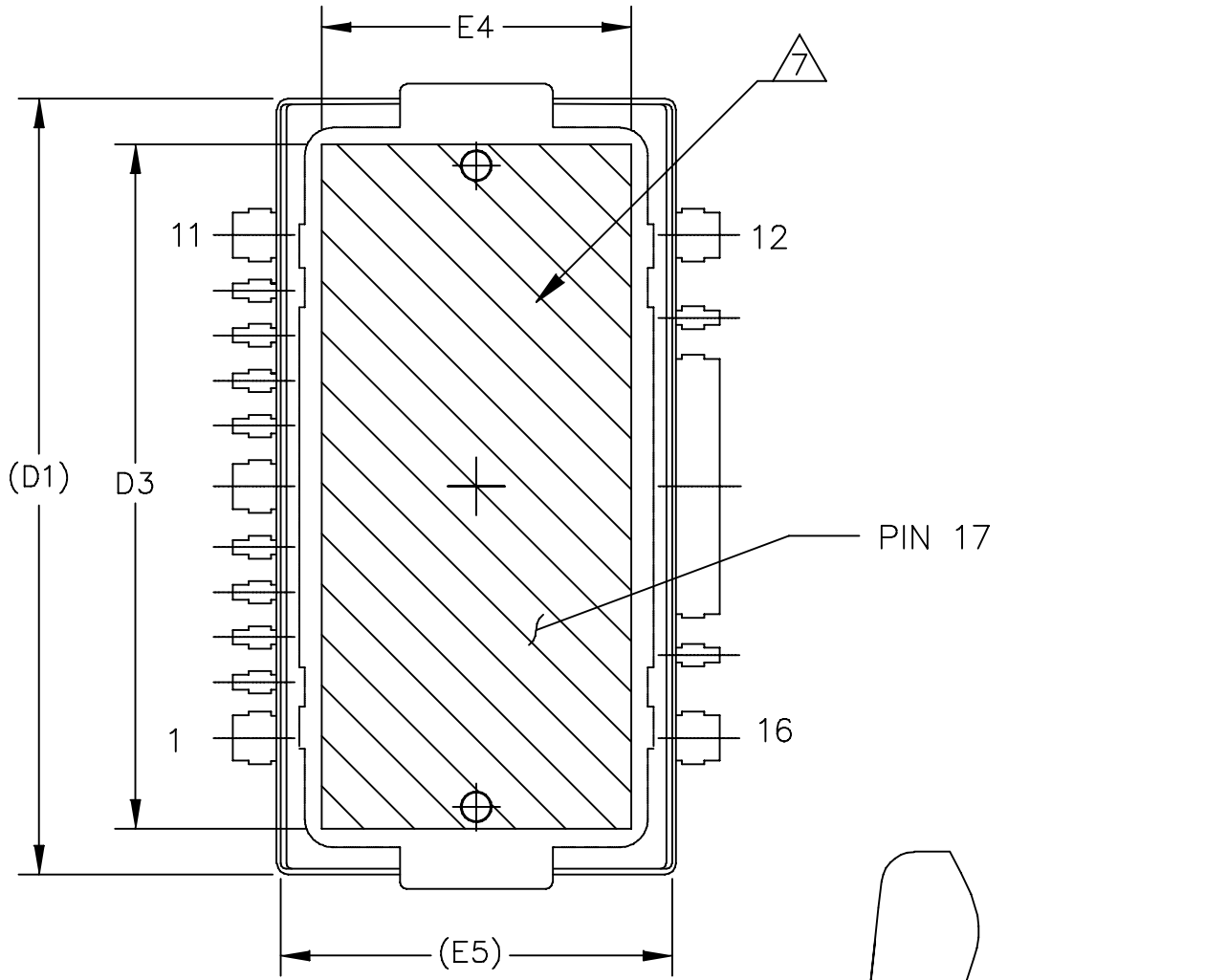
NOTES:

1. CONTROLLING DIMENSION: INCH
2. INTERPRET DIMENSIONS AND TOLERANCES PER ASME Y14.5M-1994.
3. DATUM PLANE -H- IS LOCATED AT THE TOP OF LEAD AND IS COINCIDENT WITH THE LEAD WHERE THE LEAD EXITS THE PLASTIC BODY AT THE TOP OF THE PARTING LINE.
4. DIMENSIONS "D" AND "E1" DO NOT INCLUDE MOLD PROTRUSION. ALLOWABLE PROTRUSION IS .006 (0.15) PER SIDE. DIMENSIONS "D" AND "E1" DO INCLUDE MOLD MISMATCH AND ARE DETERMINED AT DATUM PLANE -H-.
5. DIMENSIONS "b", "b1", "b2" AND "b3" DO NOT INCLUDE DAMBAR PROTRUSION. ALLOWABLE DAMBAR PROTRUSION SHALL BE .005 (0.13) TOTAL IN EXCESS OF THE "b", "b1", "b2" AND "b3" DIMENSIONS AT MAXIMUM MATERIAL CONDITION.
6. DATUM -A- AND -B- TO BE DETERMINED AT DATUM PLANE -H-.
7. DIMENSION A2 APPLIES WITHIN ZONE "J" ONLY.
8. HATCHING REPRESENTS THE EXPOSED AREA OF THE HEAT SLUG. HATCHED AREA SHOWN IS ON THE SAME PLANE.

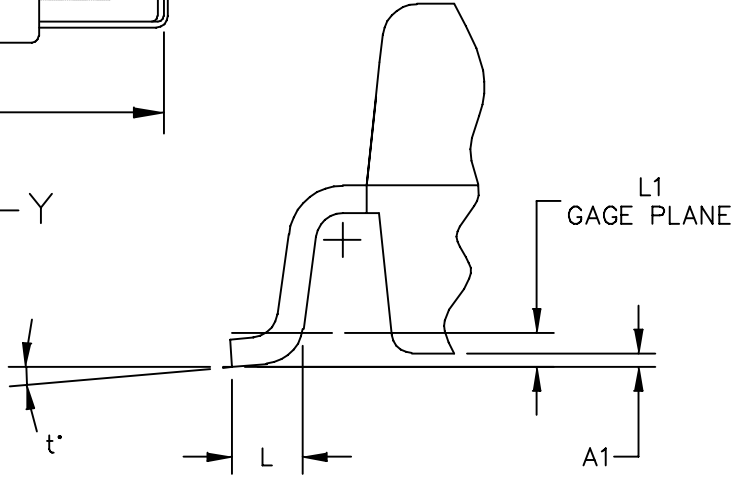
DIM	INCH		MILLIMETER		DIM	INCH		MILLIMETER	
	MIN	MAX	MIN	MAX		MIN	MAX	MIN	MAX
A	.100	.104	2.54	2.64	F	.025 BSC		0.64 BSC	
A1	.039	.043	0.99	1.09	b	.011	.017	0.28	0.43
A2	.040	.042	1.02	1.07	b1	.037	.043	0.94	1.09
D	.712	.720	18.08	18.29	b2	.037	.043	0.94	1.09
D1	.688	.692	17.48	17.58	b3	.225	.231	5.72	5.87
D2	.011	.019	0.28	0.48	c1	.007	.011	.18	.28
D3	.600	---	15.24	---	e	.054 BSC		1.37 BSC	
E	.551	.559	14	14.2	e1	.040 BSC		1.02 BSC	
E1	.353	.357	8.97	9.07	e2	.224 BSC		5.69 BSC	
E2	.132	.140	3.35	3.56	e3	.150 BSC		3.81 BSC	
E3	.124	.132	3.15	3.35	aaa	.004		.10	
E4	.270	---	6.86	---					
E5	.346	.350	8.79	8.89					
© FREESCALE SEMICONDUCTOR, INC. ALL RIGHTS RESERVED.			MECHANICAL OUTLINE			PRINT VERSION NOT TO SCALE			
TITLE: TO-270 WIDE BODY 16 LEAD					DOCUMENT NO: 98ASA10754D			REV: A	
					CASE NUMBER: 1886-01			31 AUG 2007	
					STANDARD: NON-JEDEC				



© FREESCALE SEMICONDUCTOR, INC. ALL RIGHTS RESERVED.		MECHANICAL OUTLINE		PRINT VERSION NOT TO SCALE	
TITLE: TO-270 WIDE BODY 16 LEAD, GULL WING	DOCUMENT NO: 98ASA10755D		REV: A		
	CASE NUMBER: 1887-01		31 AUG 2007		
	STANDARD: NON-JEDEC				



VIEW Y-Y



DETAIL "Y"

© FREESCALE SEMICONDUCTOR, INC. ALL RIGHTS RESERVED.		MECHANICAL OUTLINE	PRINT VERSION NOT TO SCALE
TITLE: TO-270 WIDE BODY 16 LEAD, GULL WING	DOCUMENT NO: 98ASA10755D		REV: A
	CASE NUMBER: 1887-01		31 AUG 2007
	STANDARD: NON-JEDEC		

NOTES:

1. CONTROLLING DIMENSION: INCH
2. INTERPRET DIMENSIONS AND TOLERANCES PER ASME Y14.5M-1994.
3. DATUM PLANE -H- IS LOCATED AT THE TOP OF LEAD AND IS COINCIDENT WITH THE LEAD WHERE THE LEAD EXITS THE PLASTIC BODY AT THE TOP OF THE PARTING LINE.
4. DIMENSIONS "D" AND "E1" DO NOT INCLUDE MOLD PROTRUSION. ALLOWABLE PROTRUSION IS .006 (0.15) PER SIDE. DIMENSIONS "D" AND "E1" DO INCLUDE MOLD MISMATCH AND ARE DETERMINED AT DATUM PLANE -H-.
5. DIMENSIONS "b", "b1", "b2" AND "b3" DO NOT INCLUDE DAMBAR PROTRUSION. ALLOWABLE DAMBAR PROTRUSION SHALL BE .005 (0.13) TOTAL IN EXCESS OF THE "b", "b1", "b2" AND "b3" DIMENSIONS AT MAXIMUM MATERIAL CONDITION.
6. DATUM -A- AND -B- TO BE DETERMINED AT DATUM PLANE -H-.
7. HATCHING REPRESENTS EXPOSED AREA OF THE HEAT SLUG. HATCHED AREA SHOWN IS ON THE SAME PLANE.

DIM	INCH		MILLIMETER		DIM	INCH		MILLIMETER	
	MIN	MAX	MIN	MAX		MIN	MAX	MIN	MAX
A	.100	.104	2.54	2.64	L	.018	.024	0.46	0.61
A1	.001	.004	0.02	0.10	L1	.010 BSC		0.25 BSC	
A2	.099	.110	2.51	2.79	b	.011	.017	0.28	0.43
D	.712	.720	18.08	18.29	b1	.037	.043	0.94	1.09
D1	.688	.692	17.48	17.58	b2	.037	.043	0.94	1.09
D2	.011	.019	0.28	0.48	b3	.225	.231	5.72	5.87
D3	.600	---	15.24	---	c1	.007	.011	0.18	0.28
E	.429	.437	10.9	11.1	e	.054 BSC		1.37 BSC	
E1	.353	.357	8.97	9.07	e1	.040 BSC		1.02 BSC	
E2	.132	.140	3.35	3.56	e2	.224 BSC		5.69 BSC	
E3	.124	.132	3.15	3.35	e3	.150 BSC		3.81 BSC	
E4	.270	---	6.86	---	t	2'	8'	2'	8'
E5	.346	.350	8.79	8.89	aaa	.004		0.10	
© FREESCALE SEMICONDUCTOR, INC. ALL RIGHTS RESERVED.			MECHANICAL OUTLINE			PRINT VERSION NOT TO SCALE			
TITLE: TO-270 WIDE BODY 16 LEAD, GULL WING					DOCUMENT NO: 98ASA10755D			REV: A	
					CASE NUMBER: 1887-01			31 AUG 2007	
					STANDARD: NON-JEDEC				

## PRODUCT DOCUMENTATION AND SOFTWARE

Refer to the following documents and software to aid your design process.

### Application Notes

- AN1907: Solder Reflow Attach Method for High Power RF Devices in Plastic Packages
- AN1955: Thermal Measurement Methodology of RF Power Amplifiers
- AN1977: Quiescent Current Thermal Tracking Circuit in the RF Integrated Circuit Family
- AN1987: Quiescent Current Control for the RF Integrated Circuit Device Family
- AN3263: Bolt Down Mounting Method for High Power RF Transistors and RFICs in Over-Molded Plastic Packages

### Engineering Bulletins

- EB212: Using Data Sheet Impedances for RF LDMOS Devices

### Software

- Electromigration MTTF Calculator
- RF High Power Model

For Software, do a Part Number search at <http://www.freescale.com>, and select the “Part Number” link. Go to the Software & Tools tab on the part’s Product Summary page to download the respective tool.

## REVISION HISTORY

The following table summarizes revisions to this document.

Revision	Date	Description
0	Nov. 2008	<ul style="list-style-type: none"> <li>• Initial Release of Data Sheet</li> </ul>
1	Nov. 2010	<ul style="list-style-type: none"> <li>• Corrected data sheet to remove “DC Block” from On-chip Matching feature bullet and replaced with “RF Choke to Ground”, p. 1</li> <li>• Modified data sheet to reflect RF Test Reduction described in Product and Process Change Notification number, PCN13628, p. 1, 3</li> <li>• Added “RF Input Choke to Ground” circuitry to Functional Block Diagram and Test Circuit Schematic, p. 1, 5</li> <li>• Added Electromigration MTTF Calculator and RF High Power Model availability to Product Software, p. 22</li> </ul>



## ***How to Reach Us:***

### **Home Page:**

[www.freescale.com](http://www.freescale.com)

### **Web Support:**

<http://www.freescale.com/support>

### **USA/Europe or Locations Not Listed:**

Freescale Semiconductor, Inc.  
Technical Information Center, EL516  
2100 East Elliot Road  
Tempe, Arizona 85284  
1-800-521-6274 or +1-480-768-2130  
[www.freescale.com/support](http://www.freescale.com/support)

### **Europe, Middle East, and Africa:**

Freescale Halbleiter Deutschland GmbH  
Technical Information Center  
Schatzbogen 7  
81829 Muenchen, Germany  
+44 1296 380 456 (English)  
+46 8 52200080 (English)  
+49 89 92103 559 (German)  
+33 1 69 35 48 48 (French)  
[www.freescale.com/support](http://www.freescale.com/support)

### **Japan:**

Freescale Semiconductor Japan Ltd.  
Headquarters  
ARCO Tower 15F  
1-8-1, Shimo-Meguro, Meguro-ku,  
Tokyo 153-0064  
Japan  
0120 191014 or +81 3 5437 9125  
[support.japan@freescale.com](mailto:support.japan@freescale.com)

### **Asia/Pacific:**

Freescale Semiconductor China Ltd.  
Exchange Building 23F  
No. 118 Jianguo Road  
Chaoyang District  
Beijing 100022  
China  
+86 10 5879 8000  
[support.asia@freescale.com](mailto:support.asia@freescale.com)

### **For Literature Requests Only:**

Freescale Semiconductor Literature Distribution Center  
1-800-441-2447 or +1-303-675-2140  
Fax: +1-303-675-2150  
[LDCForFreescaleSemiconductor@hibbertgroup.com](mailto:LDCForFreescaleSemiconductor@hibbertgroup.com)

Information in this document is provided solely to enable system and software implementers to use Freescale Semiconductor products. There are no express or implied copyright licenses granted hereunder to design or fabricate any integrated circuits or integrated circuits based on the information in this document.

Freescale Semiconductor reserves the right to make changes without further notice to any products herein. Freescale Semiconductor makes no warranty, representation or guarantee regarding the suitability of its products for any particular purpose, nor does Freescale Semiconductor assume any liability arising out of the application or use of any product or circuit, and specifically disclaims any and all liability, including without limitation consequential or incidental damages. "Typical" parameters that may be provided in Freescale Semiconductor data sheets and/or specifications can and do vary in different applications and actual performance may vary over time. All operating parameters, including "Typicals", must be validated for each customer application by customer's technical experts. Freescale Semiconductor does not convey any license under its patent rights nor the rights of others. Freescale Semiconductor products are not designed, intended, or authorized for use as components in systems intended for surgical implant into the body, or other applications intended to support or sustain life, or for any other application in which the failure of the Freescale Semiconductor product could create a situation where personal injury or death may occur. Should Buyer purchase or use Freescale Semiconductor products for any such unintended or unauthorized application, Buyer shall indemnify and hold Freescale Semiconductor and its officers, employees, subsidiaries, affiliates, and distributors harmless against all claims, costs, damages, and expenses, and reasonable attorney fees arising out of, directly or indirectly, any claim of personal injury or death associated with such unintended or unauthorized use, even if such claim alleges that Freescale Semiconductor was negligent regarding the design or manufacture of the part.

Freescale™ and the Freescale logo are trademarks of Freescale Semiconductor, Inc. All other product or service names are the property of their respective owners.

© Freescale Semiconductor, Inc. 2008, 2010. All rights reserved.