



Chipsmall Limited consists of a professional team with an average of over 10 year of expertise in the distribution of electronic components. Based in Hongkong, we have already established firm and mutual-benefit business relationships with customers from,Europe,America and south Asia,supplying obsolete and hard-to-find components to meet their specific needs.

With the principle of “Quality Parts,Customers Priority,Honest Operation,and Considerate Service”,our business mainly focus on the distribution of electronic components. Line cards we deal with include Microchip,ALPS,ROHM,Xilinx,Pulse,ON,Everlight and Freescale. Main products comprise IC,Modules,Potentiometer,IC Socket,Relay,Connector.Our parts cover such applications as commercial,industrial, and automotives areas.

We are looking forward to setting up business relationship with you and hope to provide you with the best service and solution. Let us make a better world for our industry!



Contact us

Tel: +86-755-8981 8866 Fax: +86-755-8427 6832

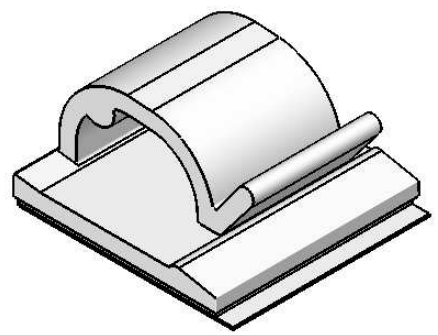
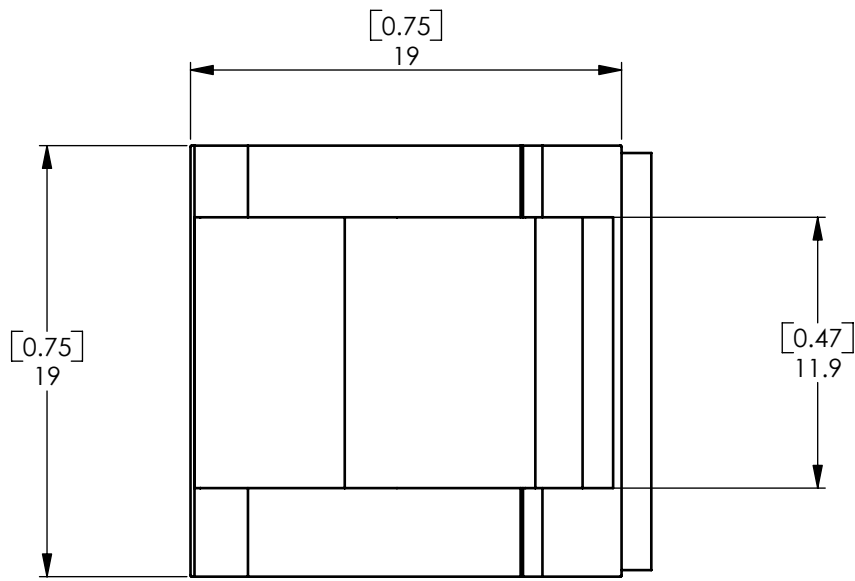
Email & Skype: info@chipsmall.com Web: www.chipsmall.com

Address: A1208, Overseas Decoration Building, #122 Zhenhua RD., Futian, Shenzhen, China



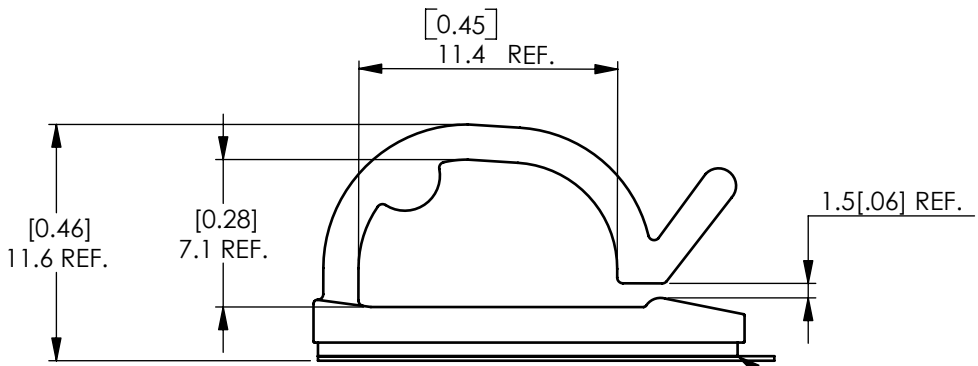
A B C D E F

REV.	MODIFICATION.	DATE	DRN
01	ECN2007-241	18/12/07	SF
02	CO2010167	28/03/08	SF



NOTES:

1. MATERIAL: NYLON 6/6 UL94-V2(RMS-01)
2. TAPE: ACRYLIC ADHESIVE, YELLOW PE FILM LINER, WHITE PE FOAM. (RMS-324)
3. PARTS AVAILABLE IN NYLON 6/6 UL94-V0(RMS-19) BY SPECIAL ORDER
4. PARTS ALSO AVAILABLE IN BLACK BY SPECIAL ORDER, ADD BK TO END OF PART NUMBER.



INFORMATION CONTAINED IN THIS DOCUMENT IS CONFIDENTIAL TO RICHCO INTERNATIONAL Co. Ltd. AND MAY NOT BE DISCLOSED OR REPRODUCED IN WHOLE OR PART WITHOUT THEIR WRITTEN CONSENT.

	ALL DIMENSIONS IN mm GENERAL TOLERANCES ±0.25 UNLESS OTHERWISE STATED 1 DECIMAL PLACE ±0.25 2 DECIMAL PLACES ± 0.10 ANGULAR ±1°	THIRD ANGLE

MATERIAL: SEE NOTES	COLOUR: NATURAL
------------------------	--------------------

DESCRIPTION: WIRE CORD KLIP	PART No: SEE TABLE
--------------------------------	-----------------------

DRG No: 07-146	NPR No: N/A	Mass:(g) 0.9	SHEET SIZE A4
-------------------	----------------	-----------------	------------------

DRN SF	DATE 18/12/07	CHKD TC	DATE 18/12/07	SCALE NTS	SHEET No. 1 OF 1
-----------	------------------	------------	------------------	--------------	---------------------

PART NUMBER
MWCK-460-01A4-RT
MWCK-460-01
MWCK-460-19

A B C D E F FORM No. 0145/02