



Chipsmall Limited consists of a professional team with an average of over 10 year of expertise in the distribution of electronic components. Based in Hongkong, we have already established firm and mutual-benefit business relationships with customers from,Europe,America and south Asia,supplying obsolete and hard-to-find components to meet their specific needs.

With the principle of “Quality Parts,Customers Priority,Honest Operation,and Considerate Service”,our business mainly focus on the distribution of electronic components. Line cards we deal with include Microchip,ALPS,ROHM,Xilinx,Pulse,ON,Everlight and Freescale. Main products comprise IC,Modules,Potentiometer,IC Socket,Relay,Connector.Our parts cover such applications as commercial,industrial, and automotives areas.

We are looking forward to setting up business relationship with you and hope to provide you with the best service and solution. Let us make a better world for our industry!



Contact us

Tel: +86-755-8981 8866 Fax: +86-755-8427 6832

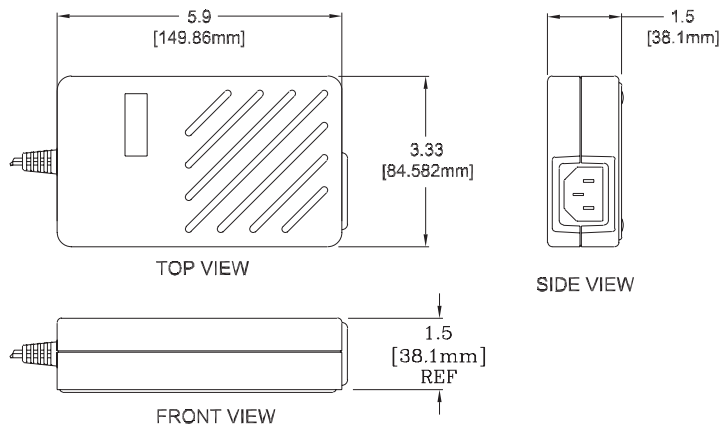
Email & Skype: info@chipsmall.com Web: www.chipsmall.com

Address: A1208, Overseas Decoration Building, #122 Zhenhua RD., Futian, Shenzhen, China



MWP90 series

90 Watt Medical Grade AC Adapter



Features

- Power factor correction
- Wide range AC input
- Fully regulated output
- High efficiency
- Medical grade approval
- Also available in white
- 5 year warranty

Environmental

- Operating temperature..... 0° C to 40° C
- Storage temperature..... -55° C to 85° C
- Weight = 1.40 lbs

EMI/EMC

- Meets FCC class B, CISPR 11 class B
- EMC per EN60601-1-2
- EN61000-3-2 and EN61000-3-3

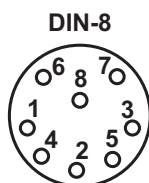
Safety

- UR/cUR UL2601-1
- CE Marked EN60601-1-2:2001

Polarity	1	2	3	4	5	6	7	8
DIN-8	V1	V1	Com	V1	Com	V1	Com	Com

Input and Output Connections

- Input connector (P1) = IEC 60320 inlet plug
- Output connector (P2) = DIN-8 pin circular connector
- Output cable length = 6 ft



Electrical Specifications

Input

- Voltage..... 90 - 264 VAC
- Current..... 2.0 Amp @ 90 VAC
- Frequency..... 47 - 63 Hz
- Earth leakage current.....

Test Voltage	Normal	Single-fault
132 VAC 60 Hz	100 uA	190 uA
264 VAC 50 Hz	190 uA	330 uA

Output

- Line regulation..... TYP +/- 1%
- Load regulation..... TYP +/- 5%
- Set point..... +/- 3% at 60% load
- Hold up time..... 20 ms min at full load, 115 VAC
- Transient response..... 500 ms for 50% to 100% load change
- Over voltage protection..... Built-in
- Over current protection..... Built-in
- Short circuit protection..... Pulsing mode, auto recovery
- Efficiency..... 90% typical
- Ripple/noise (V_{p-p})..... +/- 1% pk-pk (20 MHz bandwidth)

Model No.	Voltage	Power	Current
MWP9012-D8-NC-BK	12V	90W	7.5A
MWP9015-D8-NC-BK	15V	90W	6.0A
MWP9018-D8-NC-BK	18V	90W	5.0A
MWP9024-D8-NC-BK	24V	90W	3.75A