



Chipsmall Limited consists of a professional team with an average of over 10 year of expertise in the distribution of electronic components. Based in Hongkong, we have already established firm and mutual-benefit business relationships with customers from,Europe,America and south Asia,supplying obsolete and hard-to-find components to meet their specific needs.

With the principle of “Quality Parts,Customers Priority,Honest Operation,and Considerate Service”,our business mainly focus on the distribution of electronic components. Line cards we deal with include Microchip,ALPS,ROHM,Xilinx,Pulse,ON,Everlight and Freescale. Main products comprise IC,Modules,Potentiometer,IC Socket,Relay,Connector.Our parts cover such applications as commercial,industrial, and automotives areas.

We are looking forward to setting up business relationship with you and hope to provide you with the best service and solution. Let us make a better world for our industry!



Contact us

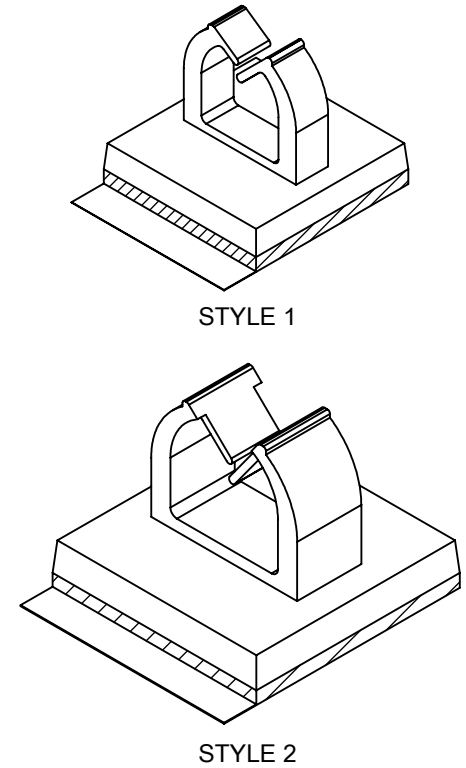
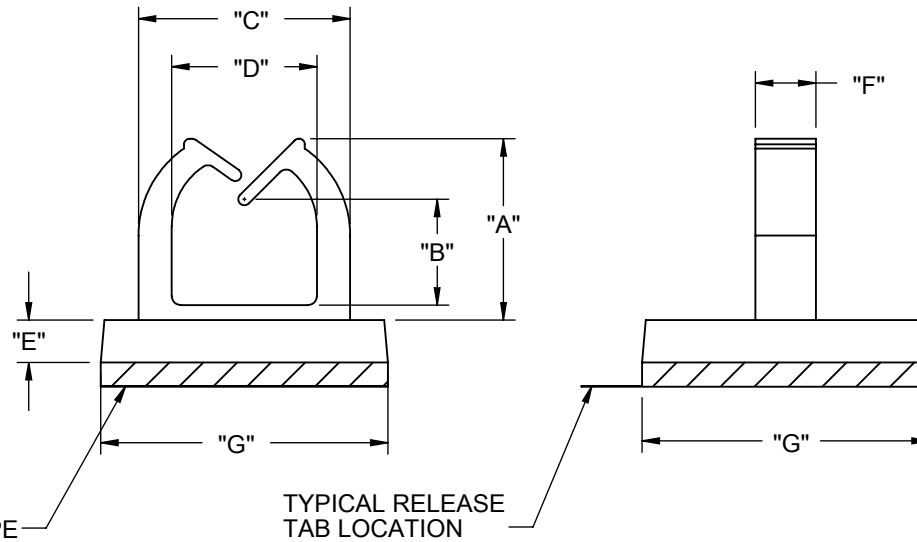
Tel: +86-755-8981 8866 Fax: +86-755-8427 6832

Email & Skype: info@chipsmall.com Web: www.chipsmall.com

Address: A1208, Overseas Decoration Building, #122 Zhenhua RD., Futian, Shenzhen, China



MATERIAL: NYLON 6/6 UL 94 V-2 (RMS-01). COLOR: NATURAL PART NO.	MATERIAL: NYLON 6/6 UL 94 V-0 (RMS-19). COLOR: NATURAL PART NO.	"A" REF	"B" REF	"C" REF	"D" REF	"E" REF	"F" REF	"G" REF	STYLE
MWSEB-1-01A-RT	MWSEB-1-19A-RT	4 [.16]	1.3 [.05]	7 [.28]	4.8 [.19]	1.6 [.06]	2 [.08]	9.5 [.37]	1
MWSEB-2-01A-RT	MWSEB-2-19A-RT	6 [.24]	3.3 [.13]	7 [.28]	4.8 [.19]	1.6 [.06]	2 [.08]	9.5 [.37]	1
MWSEB-3-01A-RT	MWSEB-3-19A-RT	7.3 [.29]	3 [.12]	9 [.35]	6.6 [.26]	2 [.08]	4 [.16]	12.7 [.50]	2
MWSEB-4-01A-RT	MWSEB-4-19A-RT	9.2 [.36]	4.8 [.19]	10.8 [.43]	8 [.32]	2 [.08]	4 [.16]	12.7 [.50]	2
MWSEB-5-01A-RT	MWSEB-5-19A-RT	11.2 [.44]	5.8 [.23]	11.9 [.47]	9.1 [.36]	2 [.08]	4 [.16]	12.7 [.50]	2
MWSEB-6-01A-RT	MWSEB-6-19A-RT	13 [.51]	8.4 [.33]	12 [.47]	9.2 [.36]	2 [.08]	4 [.16]	12.7 [.50]	2



NOTES:

- COLOR: BLACK ADD "BK" TO THE END OF PART NO.
- ACRYLIC BASED ADHESIVE FOAM TAPE (RMS-15). PARTS ALSO AVAILABLE WITHOUT THE ADHESIVE BY SPECIAL ORDER. TO ORDER REMOVE "A-RT" FROM THE PART NO.
- ALTERNATE UNITS FOR REFERENCE ONLY

REV.			TITLE: MICRO WIRE SADDLE ON BASE				DWG IN MM [IN]		FINAL	
K	SEE CO 220063 FOR CHANGES	TY	09/27/10	FILE #:	MWSEB	DWN:	SK	APP:	RT	
J	SEE CO 200133 FOR CHANGES	SK	02/26/08	SHEET:	1 OF 1	SHEET SIZE:	A	DT:	10/13/06	
I	SEE ECN #1361 FOR CHANGES	SK	08/31/07	RE:	RICHCO, INC.		RICHCO, INC.		PART #	
H	SEE ECN #1234 FOR CHANGES	SK	10/17/06			ENG@RICHCO-INC.COM		SEE TABLE		
-	SEE ENG FOR REV A-G	-	-			(773) 539-4060		PRINT TYPE		
ENGR.	DESCRIPTION	ENGR.	DATE					CA		