



Chipsmall Limited consists of a professional team with an average of over 10 year of expertise in the distribution of electronic components. Based in Hongkong, we have already established firm and mutual-benefit business relationships with customers from,Europe,America and south Asia,supplying obsolete and hard-to-find components to meet their specific needs.

With the principle of “Quality Parts,Customers Priority,Honest Operation,and Considerate Service”,our business mainly focus on the distribution of electronic components. Line cards we deal with include Microchip,ALPS,ROHM,Xilinx,Pulse,ON,Everlight and Freescale. Main products comprise IC,Modules,Potentiometer,IC Socket,Relay,Connector.Our parts cover such applications as commercial,industrial, and automotives areas.

We are looking forward to setting up business relationship with you and hope to provide you with the best service and solution. Let us make a better world for our industry!



Contact us

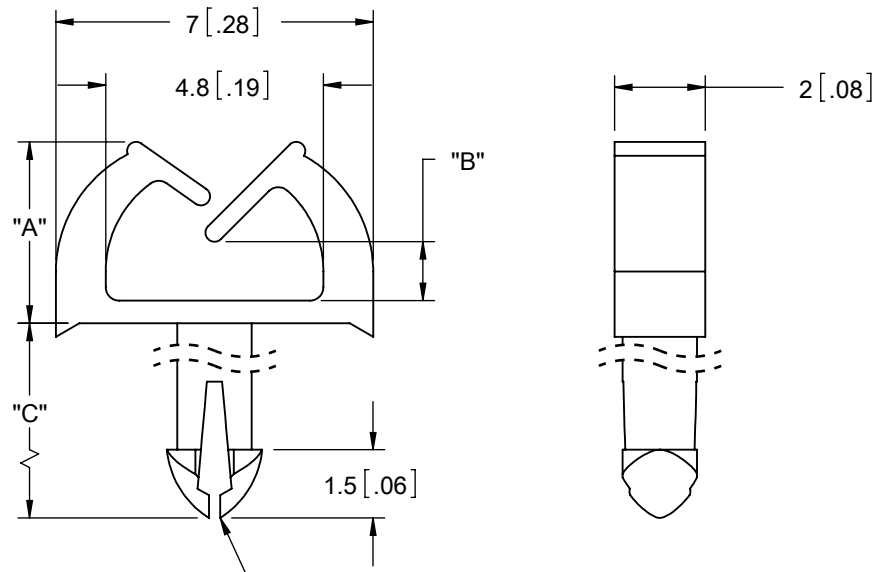
Tel: +86-755-8981 8866 Fax: +86-755-8427 6832

Email & Skype: info@chipsmall.com Web: www.chipsmall.com

Address: A1208, Overseas Decoration Building, #122 Zhenhua RD., Futian, Shenzhen, China



NYLON 6/6 UL 94 V-2 (RMS-01). COLOR: NATURAL. PART NO.	NYLON 6/6 UL 94 V-0 (RMS-19). COLOR: NATURAL. PART NO.	"A" REF	"B" REF	"C"	NOMINAL PANEL THICKNESS
MWSET1-1-01	MWSET1-1-19	4 [.16]	0.9 [.04]	3.3 [.13]	1.6 [.063]
MWSET1-1-1-01	MWSET1-1-1-19			4.1 [.16]	2.4 [.093]
MWSET1-2-01	MWSET1-2-19	6 [.24]	2.9 [.11]	3.3 [.13]	1.6 [.063]
MWSET1-2-1-01	MWSET1-2-1-19			4.1 [.16]	2.4 [.093]



TO SNAP-LOCK IN A 1.7±0.05
[.067±.002] DIAMETER HOLE, IN AN
INDICATED PANEL THICKNESS



NOTES:
1. ALTERNATE UNITS FOR REFERENCE ONLY

E SEE ECN #1230 FOR CHANGES SK 10/09/06			TITLE: MICRO WIRE SADDLE (TEARDROP)				DWG IN MM [IN]		FINAL	
- SEE ENGINEERING FOR REVISIONS A-D -			CREATED USING SOLIDWORKS FILE #: MWSET1		DWN: SK APP: RT		SHEET: 1 OF 1 SHEET SIZE: A		CHKD: SJ	
REV. DESCRIPTION ENGR. DATE			GENERAL TOLERANCE UNLESS OTHERWISE NOTED ±0.25 ANG.=±1°		RE: RICHCO, INC.		DT: 10/09/06		PART # SEE TABLE	
					RICHCO, INC. ENG@RICHCO-INC.COM (773) 539-4060				PRINT TYPE CA	