



Chipsmall Limited consists of a professional team with an average of over 10 year of expertise in the distribution of electronic components. Based in Hongkong, we have already established firm and mutual-benefit business relationships with customers from,Europe,America and south Asia,supplying obsolete and hard-to-find components to meet their specific needs.

With the principle of “Quality Parts,Customers Priority,Honest Operation,and Considerate Service”,our business mainly focus on the distribution of electronic components. Line cards we deal with include Microchip,ALPS,ROHM,Xilinx,Pulse,ON,Everlight and Freescale. Main products comprise IC,Modules,Potentiometer,IC Socket,Relay,Connector.Our parts cover such applications as commercial,industrial, and automotives areas.

We are looking forward to setting up business relationship with you and hope to provide you with the best service and solution. Let us make a better world for our industry!



Contact us

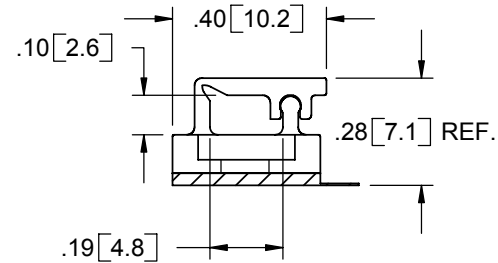
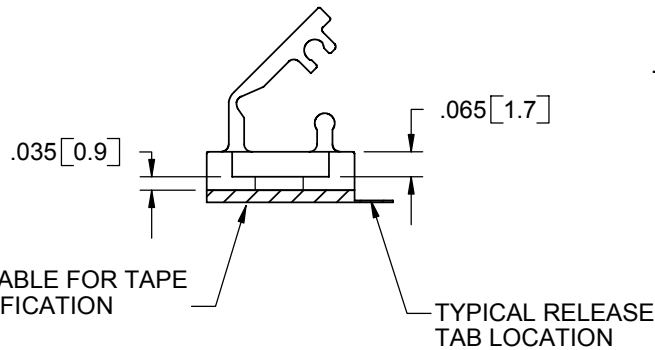
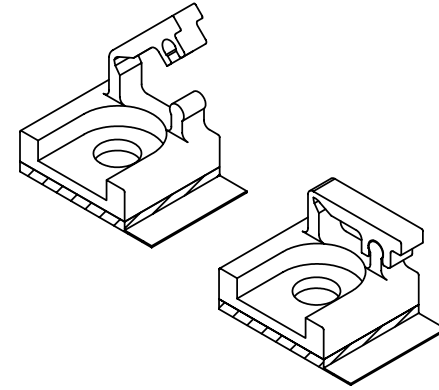
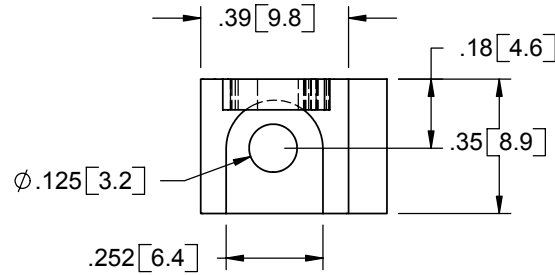
Tel: +86-755-8981 8866 Fax: +86-755-8427 6832

Email & Skype: info@chipsmall.com Web: www.chipsmall.com

Address: A1208, Overseas Decoration Building, #122 Zhenhua RD., Futian, Shenzhen, China



PART NUMBER	MOUNTING
MWSLTB-1-19A-RT	1/32 ACRYLIC ADHESIVE TAPE (RMS-15)
MWSLTB-1-19	#4 SCREW OR SR-30XX SERIES RIVETS



NOTES:
 1. MATERIAL: FLAME RETARDANT NYLON (RMS-19)
 2. COLOR: NATURAL

TITLE: MICRO WIRE SADDLE LOCKING TOP ON BASE						DWG IN IN [MM]	
CREATED USING SOLIDWORKS	FILE #: MWSLTB	DWN: DLC	APP: DLC	FINAL			
TOLERANCES UNLESS NOTED XX=±.010 .XXX=±.005 FRAC.=±1/64 ANG.=±1°	SHEET: 1 OF 3	SHEET SIZE: A	DT: 11/11/02	CHKD: FL	PART #		PRINT TYPE
RE: RICHCO, INC.	RICHCO, INC. ENG@RICHCO-INC.COM (773) 539-4060			SEE TABLE		CA	

REV.	DESCRIPTION	ENGR.	DATE
C	SEE ECN #534 FOR CHANGES	SM	12.16.02
B	ADDED OVERALL HEIGHT DIM .28 [7.1] (ECN #468)	S.M.	09/20/02
A	RELEASED FOR PRODUCTION	S.M.	09/18/02