



Chipsmall Limited consists of a professional team with an average of over 10 year of expertise in the distribution of electronic components. Based in Hongkong, we have already established firm and mutual-benefit business relationships with customers from,Europe,America and south Asia,supplying obsolete and hard-to-find components to meet their specific needs.

With the principle of “Quality Parts,Customers Priority,Honest Operation,and Considerate Service”,our business mainly focus on the distribution of electronic components. Line cards we deal with include Microchip,ALPS,ROHM,Xilinx,Pulse,ON,Everlight and Freescale. Main products comprise IC,Modules,Potentiometer,IC Socket,Relay,Connector.Our parts cover such applications as commercial,industrial, and automotives areas.

We are looking forward to setting up business relationship with you and hope to provide you with the best service and solution. Let us make a better world for our industry!



Contact us

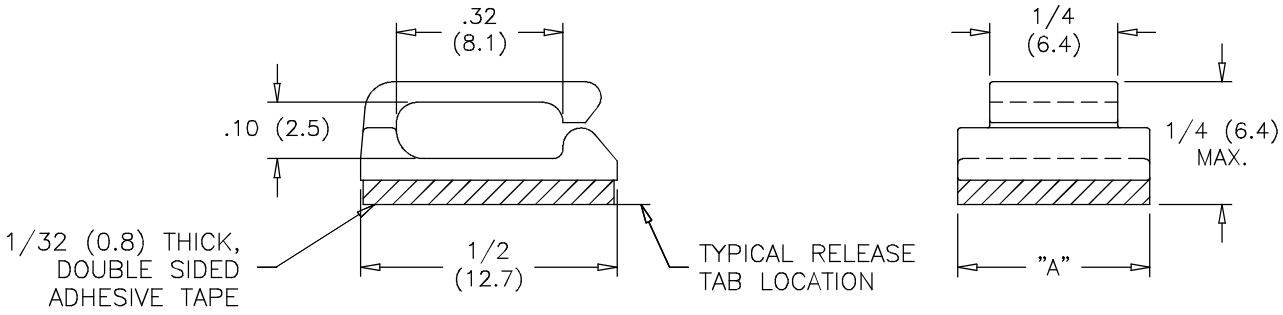
Tel: +86-755-8981 8866 Fax: +86-755-8427 6832

Email & Skype: info@chipsmall.com Web: www.chipsmall.com

Address: A1208, Overseas Decoration Building, #122 Zhenhua RD., Futian, Shenzhen, China



MATERIAL: NYLON 6/6 UL 94 V-2 (RMS-01) PART NO.	MATERIAL: NYLON 6/6 UL 94 V-0 (RMS-19) PART NO.	"A"	ADHESIVE TAPE
MWSSEB-1-01A-RT	MWSSEB-1-19A-RT	3/8 (9.5)	RMS-15
MWSSEBE-1-01	MWSSEBE-1-19	1/2 (12.7)	W/O TAPE
MWSSEBE-1-01A	MWSSEBE-1-19A		RMS-15



NOTES:
 1. COLOR: NATURAL.
 2. ACRYLIC ADHESIVE TAPE, WHITE LINER
 (SEE TABLE).

L	CHANGED PART NUMBER, ECN # 1364	DZ 06.20.12
K	SEE CO 200405 FOR CHANGES	SK 07.31.09
J	SEE CO 200003 FOR CHANGES	SK 09.06.07
I	SEE ECN #1103. FOR CHANGES	SK 12.01.05
H	SEE ECN #1004 FOR CHANGES	SK 05.13.05
G	SEE ECN #747 FOR CHANGES	SM 01.21.04
F	SEE ECN #544 FOR CHANGES	SM 12.18.02
E	UPDATED PRINT AND ADDED NOTE 3.	SM 03.13.02
D	CHANGED FILE NO. AND TITLE BLOCK	SM 05.29.01
C	CONVERTED TO ACAD	PB 05.12.95
B	1/4 (6.4) MAX. REDIMENSIONED	RS 08.17.92
A	ADDED PART NO. MWSSEBE-1-01A-RT	RS 05.04.92
REV	DESCRIPTION	ENGR DATE

TITLE: MICRO WIRE SADDLE, SIDE ENTRY, ON BASE		DWG IN IN (MM)		FINAL	
TOLERANCES UNLESS NOTED .XX=±.010 .XXX=±.005 FRAC=±1/64 ANG=±1°	FILE # MWSSEB	DWN: P.B.	APP:	PART #	
	MAT'L: SEE NOTES	DT: 05-12-95	DT:	SEE NOTES	
	RE: RICHCO, INC.	RICHCO INC. PO BOX 804238, CHICAGO, 60680 (773) 539-4060		PRINT TYPE CA	