



Chipsmall Limited consists of a professional team with an average of over 10 year of expertise in the distribution of electronic components. Based in Hongkong, we have already established firm and mutual-benefit business relationships with customers from,Europe,America and south Asia,supplying obsolete and hard-to-find components to meet their specific needs.

With the principle of “Quality Parts,Customers Priority,Honest Operation,and Considerate Service”,our business mainly focus on the distribution of electronic components. Line cards we deal with include Microchip,ALPS,ROHM,Xilinx,Pulse,ON,Everlight and Freescale. Main products comprise IC,Modules,Potentiometer,IC Socket,Relay,Connector.Our parts cover such applications as commercial,industrial, and automotives areas.

We are looking forward to setting up business relationship with you and hope to provide you with the best service and solution. Let us make a better world for our industry!



Contact us

Tel: +86-755-8981 8866 Fax: +86-755-8427 6832

Email & Skype: info@chipsmall.com Web: www.chipsmall.com

Address: A1208, Overseas Decoration Building, #122 Zhenhua RD., Futian, Shenzhen, China



MWZ series

Waterproof snap-action micro switches
 Distinctive features and specifications



- IP67 sealed
- UL certified
- 1 million mechanical lifecycles
- Ideal for adverse environment applications
- Optional sealed wire outlet available

ENVIRONMENTAL SPECIFICATIONS

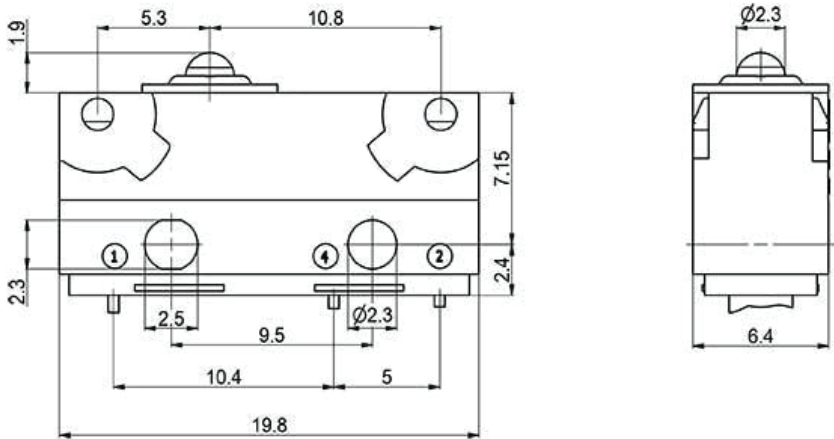
Housing	-	PA66-FR50
Cover	-	PA66-FR50
Actuator	-	PBT
Actuator sealing	-	Methyl Vinyl Silicone rubber
Terminals	-	CuZn AG plated
Contacts	-	AgNi - Silver nickel
Contact spring	-	Stainless steel
Contact sealing	-	Epoxy resin

ELECTRICAL SPECIFICATIONS

Rating	-	5(2)A 125/250VAC
Electrical lifecycle	-	Minimum: 50,000 cycles

GENERAL SPECIFICATIONS

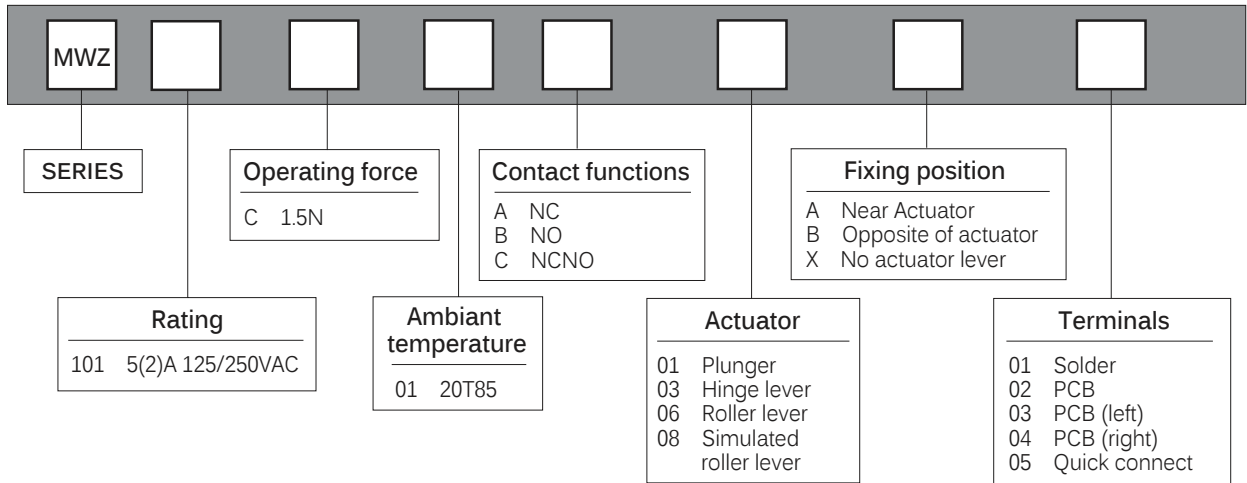
Operating temperature	-	-40°C to +85°C (-40°F to +185°F)
Sealing	-	IP67
Contact opening	-	<3 mm (.118in)
Typical operating force	-	1.5N
Mechanical lifecycle	-	Minimum: 1 million cycles



MWZ series

Waterproof snap-action micro switches

Overview



WIRE OUTLET **

L Left
R Right
G Straight

WIRE LENGTH

100	100mm
200	200mm
300	300mm
400	400mm
500	500mm
600	600mm
700	700mm
800	800mm
900	900mm



NOTES: Standard wire colors are: Common = White; Normally closed = Red; Normally open = Black
** Only Solder terminal option available when choosing **optional** WIRE OUTLET.



Sealed to IP67 - protected against dust and liquid ingress



Packaging units:
With wires (bags): 20 to 100 pieces per bag (depending on quantity & length of wire).
Without wires (tray): 100 pieces per tray.



Note: The company reserves the right to change specifications without notice.

MWZ series

Waterproof snap-action micro switches

Dimensional drawings and option detail

CONTACT FUNCTIONS		
A - NORMALLY CLOSED	B - NORMALLY OPEN	C - NORMALLY CLOSED / NORMALLY OPEN

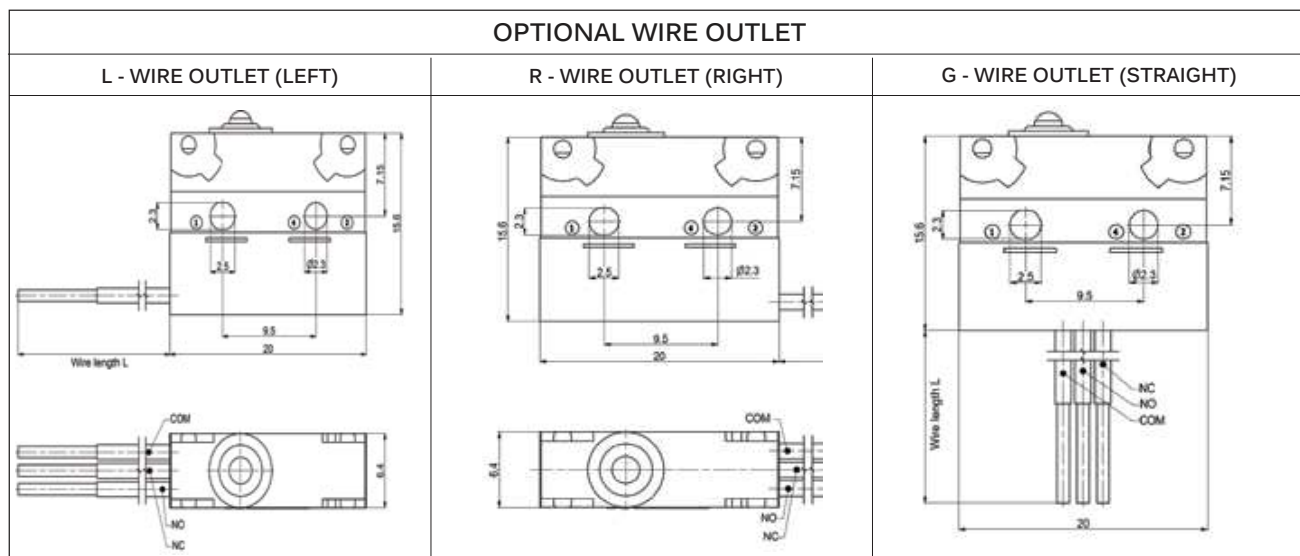
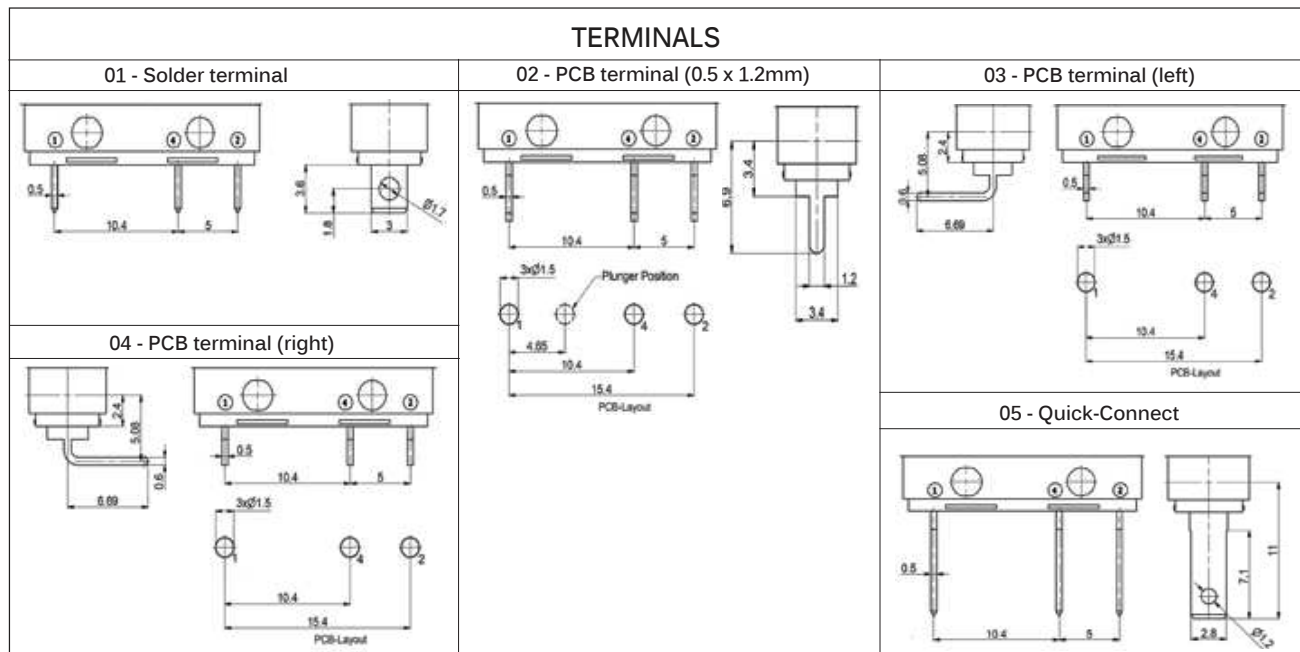
ACTUATORS	
01 - Plunger	03 - Hinge lever
06 - Roller lever	08 - Simulated roller lever

FIXING POSITION		
A - Near actuator	B - Opposite of actuator	X - No actuator lever

MWZ series

Waterproof snap-action micro switches

Additional wiring options



TRAVEL TABLE

MWZ	Actuator code	Actuator Length	Operating Force on lever ($\leq N$)	Pretravel (mm)	Overtravel (min. mm)	Movement differential ($\geq mm$)
Plunger (Standard)	01	-	-	0.8	0.4	0.1
NEAR ACTUATOR FIXED						
Hinge Lever	03	14.4	0.55	-	1.0	0.6
Roller Lever (long)	06	12.2	0.60	-	1.0	0.4
Simulated Roller Lever	08	15.1	0.50	-	1.0	0.6
OPPOSITE ACTUATOR FIXED						
Hinge Lever	03	14.4	1.05	-	0.8	0.4
Roller Lever (long)	06	12.2	1.20	-	0.6	0.4
Simulated Roller Lever	08	15.1	1.00	-	0.8	0.4