



Chipsmall Limited consists of a professional team with an average of over 10 year of expertise in the distribution of electronic components. Based in Hongkong, we have already established firm and mutual-benefit business relationships with customers from,Europe,America and south Asia,supplying obsolete and hard-to-find components to meet their specific needs.

With the principle of "Quality Parts,Customers Priority,Honest Operation,and Considerate Service",our business mainly focus on the distribution of electronic components. Line cards we deal with include Microchip,ALPS,ROHM,Xilinx,Pulse,ON,Everlight and Freescale. Main products comprise IC,Modules,Potentiometer,IC Socket,Relay,Connector.Our parts cover such applications as commercial,industrial, and automotives areas.

We are looking forward to setting up business relationship with you and hope to provide you with the best service and solution. Let us make a better world for our industry!



## Contact us

Tel: +86-755-8981 8866 Fax: +86-755-8427 6832

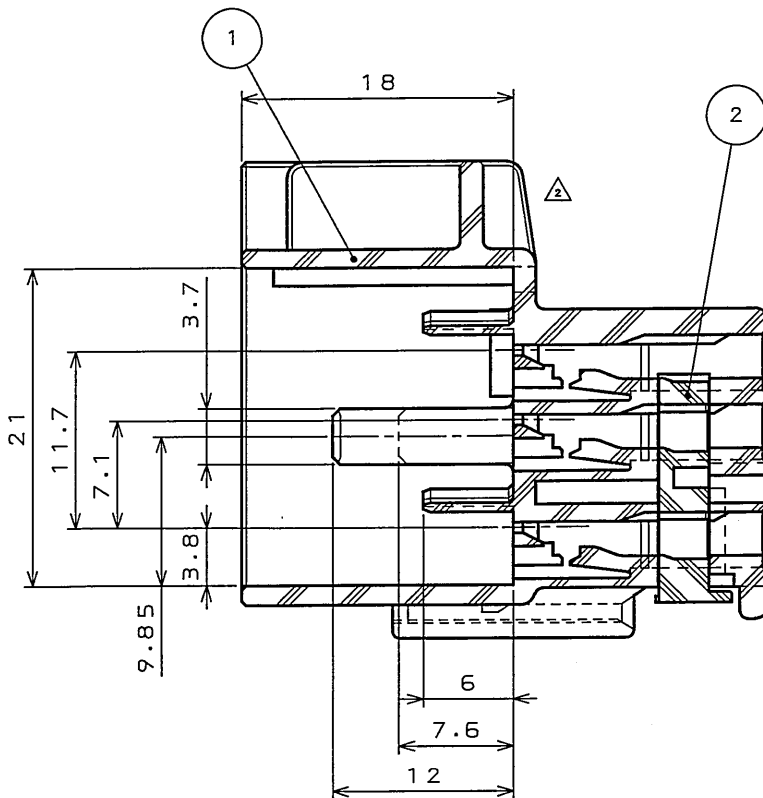
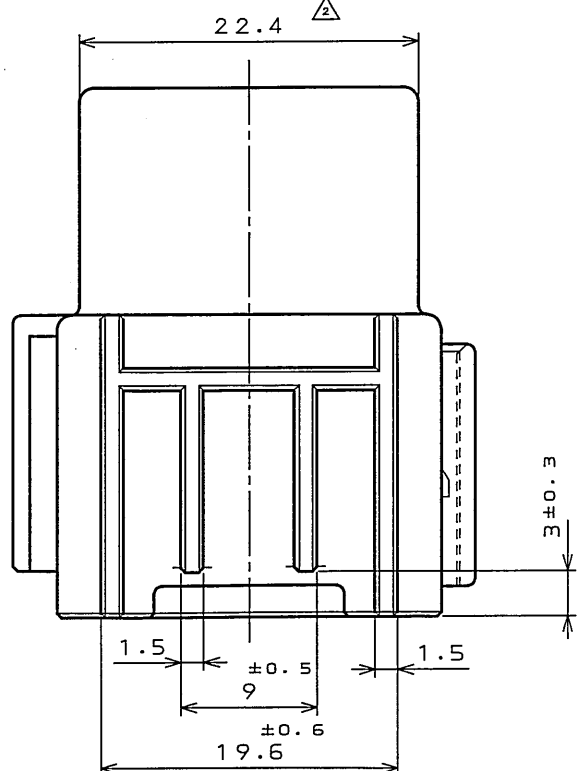
Email & Skype: info@chipsmall.com Web: www.chipsmall.com

Address: A1208, Overseas Decoration Building, #122 Zhenhua RD., Futian, Shenzhen, China

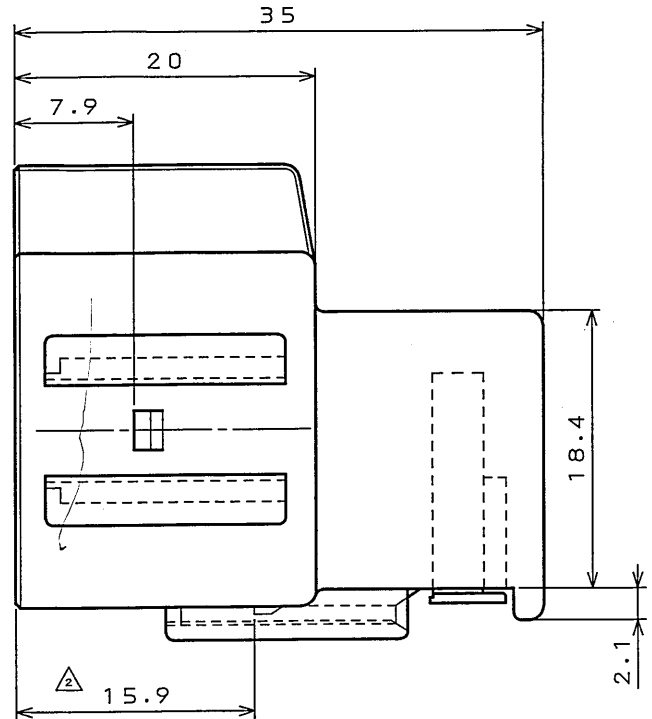
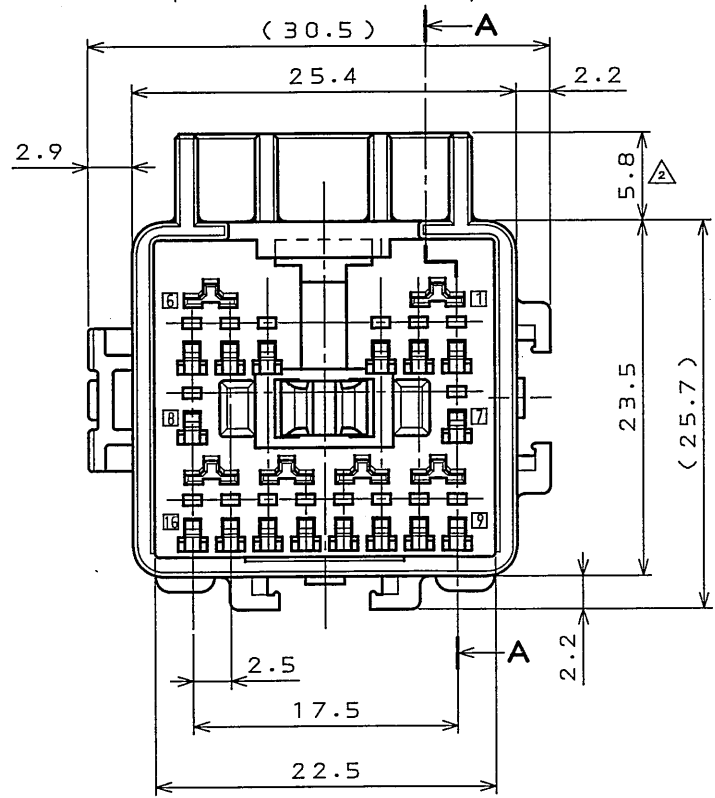
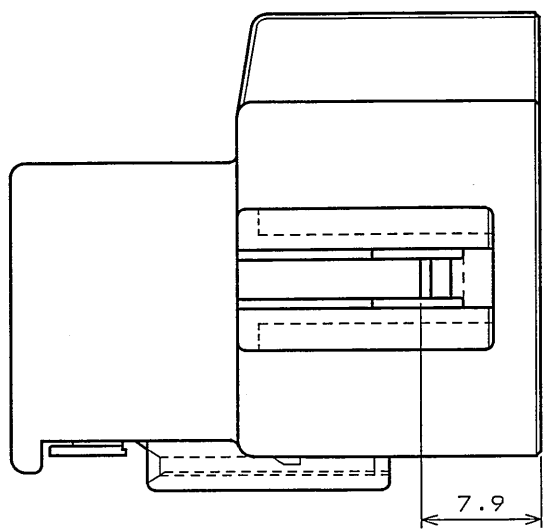


図面番号(DRAWING NO.) SJ037654

版数 REV.	年月日 DATE	DCN NO.	変更内容 DESCRIPTION	製図 DR.	担当 CHK.	査閲 APPD.	承認 APPD.
2	10.Mar.2004	054577	RIB PLUS	T.MURAYAMA	N.TOUDOU	—	T. Totani



SECT. A-A



特別管理品目  
SPECIAL CONTROL ITEM  
MX(SRS)

2	RETAINER	1	GLASS FILLED PBT	COLOR:NATURAL
1	INSULATOR	1	PBT	COLOR:YELLOW
符号 NO.	名称 DESCRIPTION	個数 QTY.	材料 MATERIAL	仕上 FINISH
仕様書(SPECIFICATION) JACS-1640		第1版(ORIGINAL DATE) 8.Jan.2003		備考 REMARKS
公差(GENERAL TOLERANCE)		製図 DR.		名称(TITLE) MX17016PN1
寸法(DIMENSION)		担当 CHK.		
角度(ANGLES)		査閲 APPD.		
		承認 APPD.		
·	±0.8	X°	±	重量(WEIGHT)
·X	±0.4	X°X'	±	
·XX	±0.1			
·XXX	±			
		製図 DR.		JAE-CONNECTOR.COM Reference Only JAVIATION ELECTRONICS INDUSTRY, LTD.
		担当 CHK.		
		査閲 APPD.		
		承認 APPD.		
		製図 DR.		図面番号(DRAWING NO.) SJ037654
		担当 CHK.		
		査閲 APPD.		
		承認 APPD.		
		製図 DR.		版数 (REV.) 2
		担当 CHK.		
		査閲 APPD.		
		承認 APPD.		

注1 一般公差(寸法:X)  
TOLERANCE(DIMENSION:X)

X ≤ 10 : ±0.2  
10 < X ≤ 30 : ±0.3  
30 < X ≤ 100 : ±0.6

DOF-0-212E(03.08)

