



Chipsmall Limited consists of a professional team with an average of over 10 year of expertise in the distribution of electronic components. Based in Hongkong, we have already established firm and mutual-benefit business relationships with customers from,Europe,America and south Asia,supplying obsolete and hard-to-find components to meet their specific needs.

With the principle of “Quality Parts,Customers Priority,Honest Operation,and Considerate Service”,our business mainly focus on the distribution of electronic components. Line cards we deal with include Microchip,ALPS,ROHM,Xilinx,Pulse,ON,Everlight and Freescale. Main products comprise IC,Modules,Potentiometer,IC Socket,Relay,Connector.Our parts cover such applications as commercial,industrial, and automotives areas.

We are looking forward to setting up business relationship with you and hope to provide you with the best service and solution. Let us make a better world for our industry!



Contact us

Tel: +86-755-8981 8866 Fax: +86-755-8427 6832

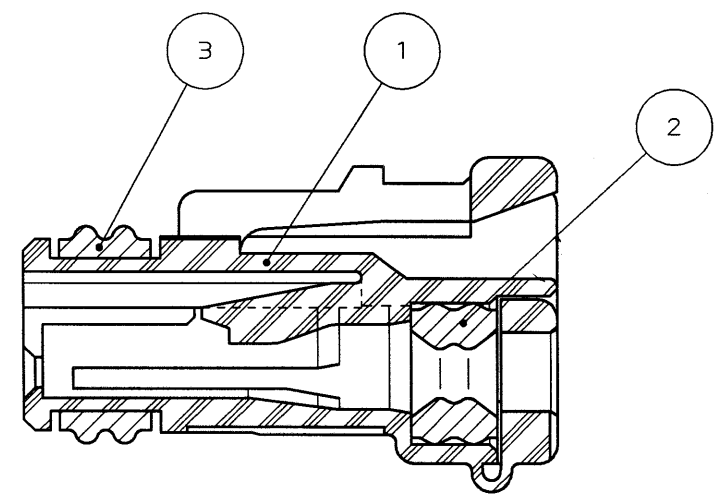
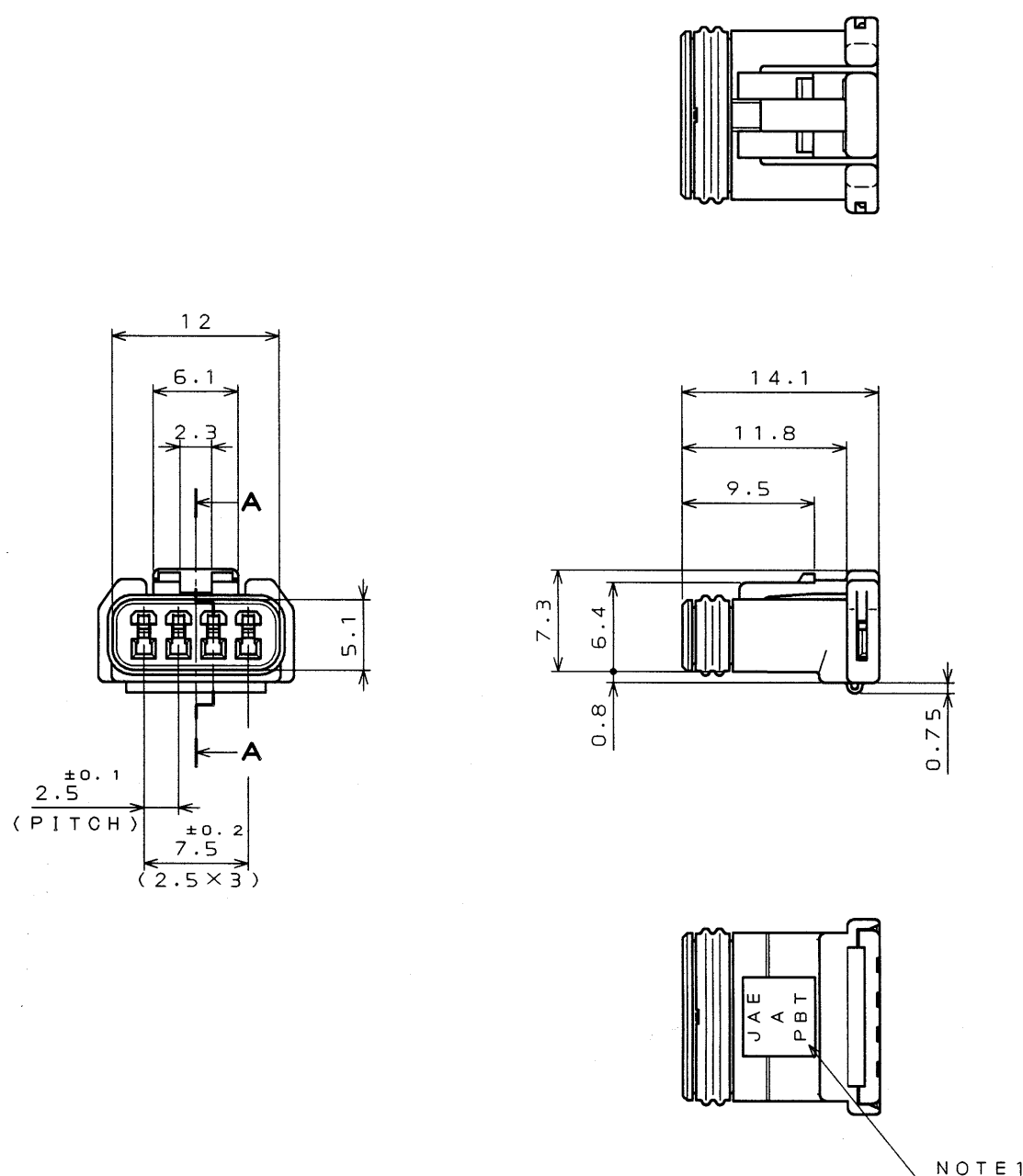
Email & Skype: info@chipsmall.com Web: www.chipsmall.com

Address: A1208, Overseas Decoration Building, #122 Zhenhua RD., Futian, Shenzhen, China



図面番号(DRAWING NO.) SJ034387

版数 REV.	年月日 DATE	DCN NO.	変更内容 DESCRIPTION	製図 DR.	担当 CHK.	査閲 APPD.	承認 APPD.



NOTE1.EMBOSS COMPANY LOGO"JAE" AND CAVITY DESIGNATOR AND MATERIAL LETTERS.
NOTE2.EMBOSS CONTACT NUMBER.

注1.社標,キャビNo.,材料名を浮き出す。
注2.端子No.を浮き出す。

3	SEALRING	1	SIR		COLOR: BROWN
2	GROMMET	1	SIR		COLOR: BROWN
1	SOCKET HOUSING	1	PBT		COLOR: BLACK
符号 NO.	名称 DESCRIPTION	個数 QTY.	材料 MATERIAL	仕上 FINISH	備考 REMARKS
仕様書(SPECIFICATION)			第1版(ORIGINAL DATE) 6.Aug.1999	尺度(SCALE) 2:1	シム(SHIMS) MX19
公差(GENERAL TOLERANCE)			製図 DR.	名称(TITLE) MX19004S51	
寸法(DIMENSION)		角度(ANGLES)	担当 CHK. J.MIYAMOTO	 ELECTRONICS INDUSTRY, LTD.	
. ±0.3	X° ±	査閲 APPD. <i>M. Shimizu</i>			
.X ±0.3	X°X' ±	承認 APPD. <i>T. Totani</i>			
.XX ±0.3			重量(WEIGHT)		
.XXX ±				図面番号(DRAWING NO.) SJ034387	

本図面は日本航空電子工業(株)の所有する情報を含むもので当社の許可なく複製を禁止する。
THIS DRAWING CONTAINS INFORMATION THAT IS PROPRIETARY TO JAE AND CAN NOT BE REPRODUCED WITHOUT WRITTEN CONSENT OF JAE.

DOF-C-212D(98.02)

CDS-99-110-10411

SIZE A3

版数
(REV.)
1