



Chipsmall Limited consists of a professional team with an average of over 10 year of expertise in the distribution of electronic components. Based in Hongkong, we have already established firm and mutual-benefit business relationships with customers from,Europe,America and south Asia,supplying obsolete and hard-to-find components to meet their specific needs.

With the principle of “Quality Parts,Customers Priority,Honest Operation,and Considerate Service”,our business mainly focus on the distribution of electronic components. Line cards we deal with include Microchip,ALPS,ROHM,Xilinx,Pulse,ON,Everlight and Freescale. Main products comprise IC,Modules,Potentiometer,IC Socket,Relay,Connector.Our parts cover such applications as commercial,industrial, and automotives areas.

We are looking forward to setting up business relationship with you and hope to provide you with the best service and solution. Let us make a better world for our industry!



Contact us

Tel: +86-755-8981 8866 Fax: +86-755-8427 6832

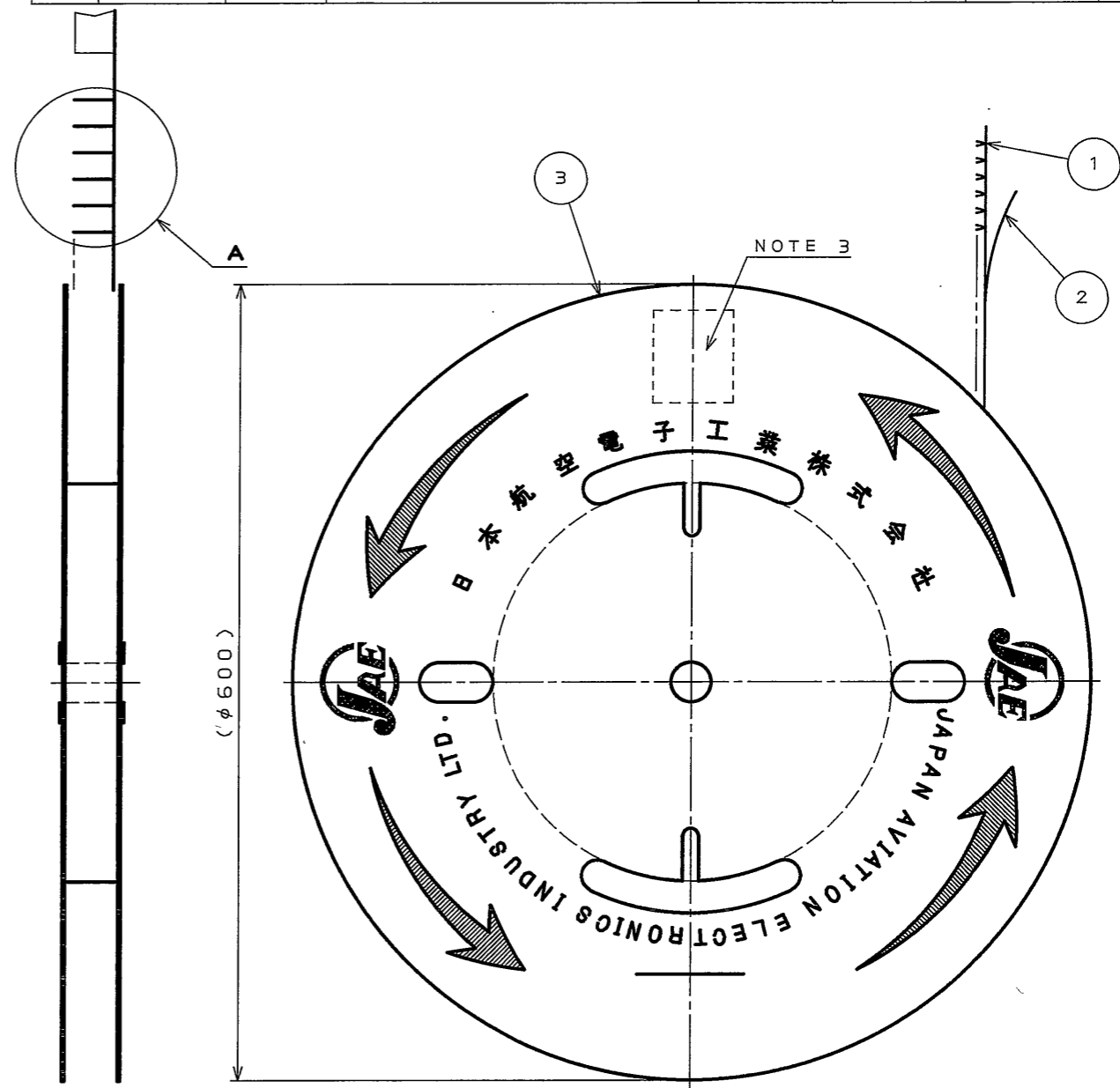
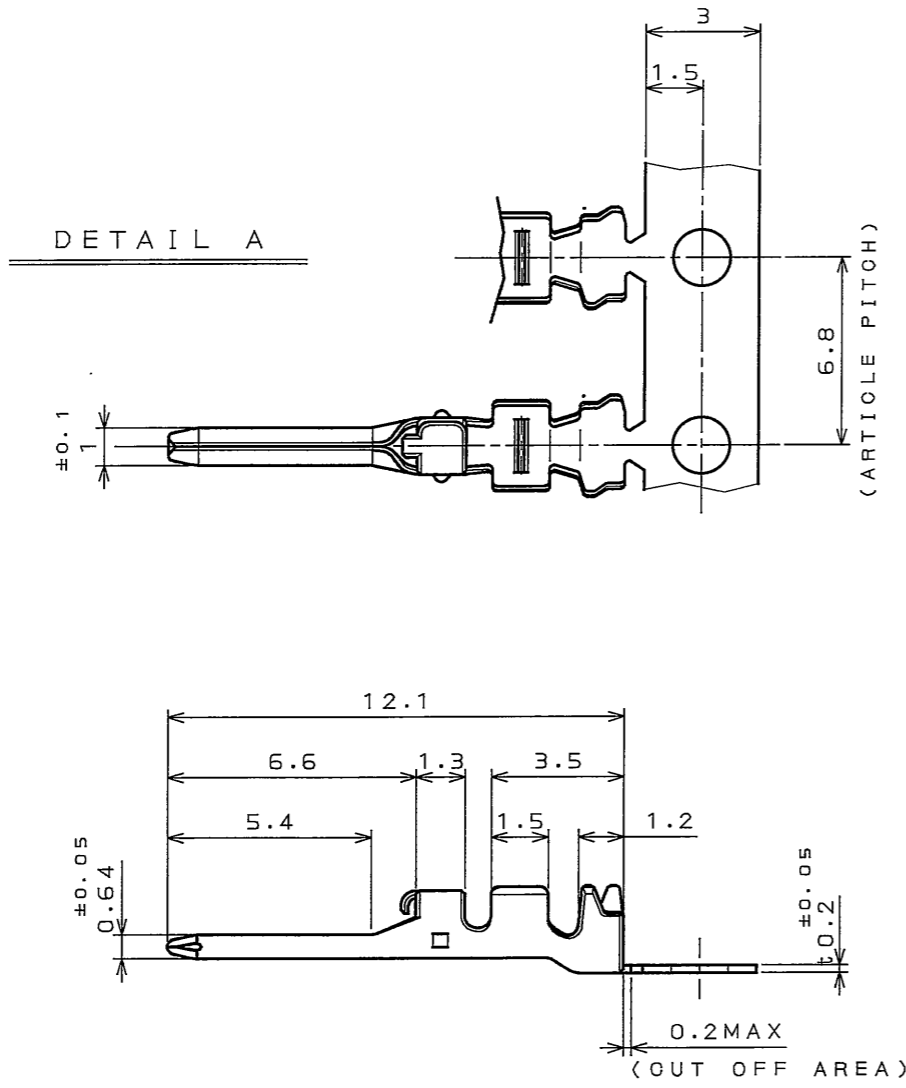
Email & Skype: info@chipsmall.com Web: www.chipsmall.com

Address: A1208, Overseas Decoration Building, #122 Zhenhua RD., Futian, Shenzhen, China



版数 REV.	年月日 DATE	DCN NO.	変更内容 DESCRIPTION	製図 DR.	担当 CHK.	査閲 APPD.	承認 APPD.
2	14.Jul.2003	52480	ADDED SPECIFICATION		Y.NAKAMURA	N.OIRI	T.TOTANI
3	25.Mar.2004	054696	CORRECT AN ERROR		Y.NAKAMURA	N.Oiri	T.Totani

175E00RS
(ON 0NIMVHD) (DRAWING NO.)



△ NOTE 1. APPLICABLE WIRE: CAVS 0.3, CAVS 0.5, GPTL 22 AND AVSS 0.5. △
2. THE SHEARED EDGES OF CONTACT ARE NOT PLATED.
3. PART NUMBER & QUANTITY AS INDICATED.

△ 注 1. 使用電線は、CAVS 0.3、CAVS 0.5、GPTL 22、AVSS 0.5とする。
2. 剪断面に、メッキは付かない。
3. 品名及び数量を表示する。

符号 NO.	名称 DESCRIPTION	個数 QTY.	材料 MATERIAL	仕上 FINISH	備考 REMARKS
3	REEL	1	PAPER		
2	TAPE	1	PAPER		
1	PIN CONTACT	10000	MSP1	TIN PLATED	
仕様書 (SPECIFICATION) △ JACS-1594-1		第1版 (ORIGINAL DATE) 25.Sep.1998		尺 (SCALE) 1:5	SI-X (SERIES) MX19
公差 (GENERAL TOLERANCE)		製図 DR.		名称 (TITLE) Reference Only	
寸法 (DIMENSION)		担当 CHK. J.MIYAMOTO		MX19P10K451 JAE JAPAN AVIATION ELECTRONICS INDUSTRY, LTD.	
角度 (ANGLES)		査閲 APPD. T.OKA			
. ±0.8 X° ±		承認 APPD. K.TAKEGAWA			
.X ±0.4 X°X ±				重量 (WEIGHT)	
.XX ±0.1				図面番号 (DRAWING NO.) SJ033541	
.XXX ±				版数 (REV.) 3	

DOF-0-212E(03.08)

