



Chipsmall Limited consists of a professional team with an average of over 10 year of expertise in the distribution of electronic components. Based in Hongkong, we have already established firm and mutual-benefit business relationships with customers from,Europe,America and south Asia,supplying obsolete and hard-to-find components to meet their specific needs.

With the principle of "Quality Parts,Customers Priority,Honest Operation,and Considerate Service",our business mainly focus on the distribution of electronic components. Line cards we deal with include Microchip,ALPS,ROHM,Xilinx,Pulse,ON,Everlight and Freescale. Main products comprise IC,Modules,Potentiometer,IC Socket,Relay,Connector.Our parts cover such applications as commercial,industrial, and automotives areas.

We are looking forward to setting up business relationship with you and hope to provide you with the best service and solution. Let us make a better world for our industry!



Contact us

Tel: +86-755-8981 8866 Fax: +86-755-8427 6832

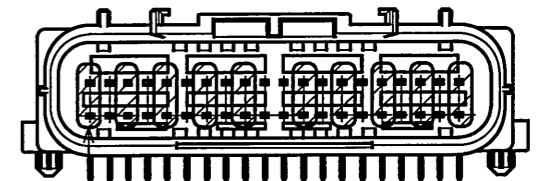
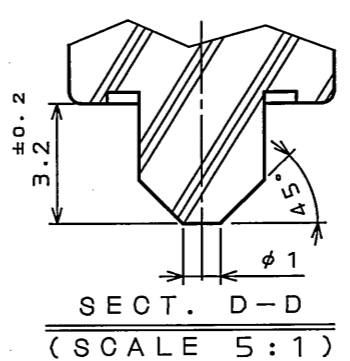
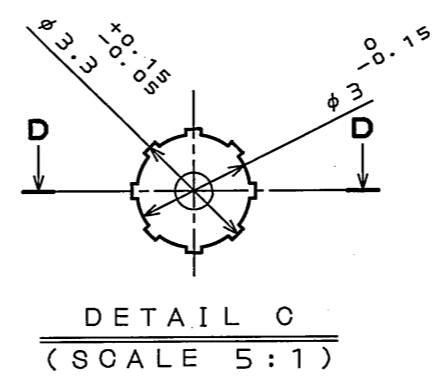
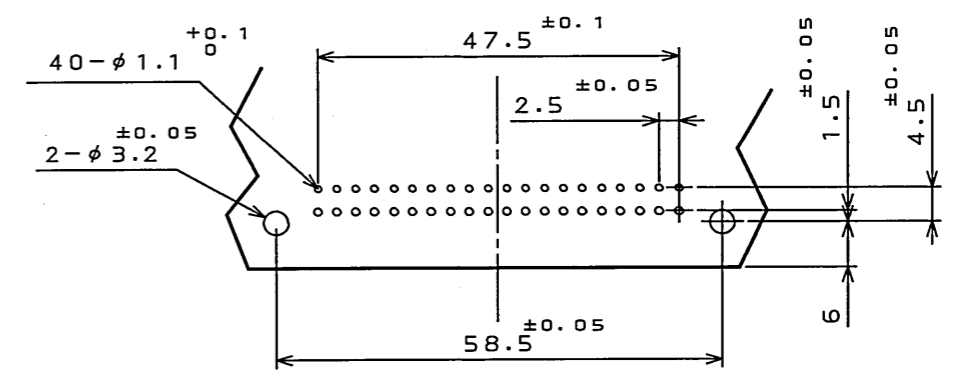
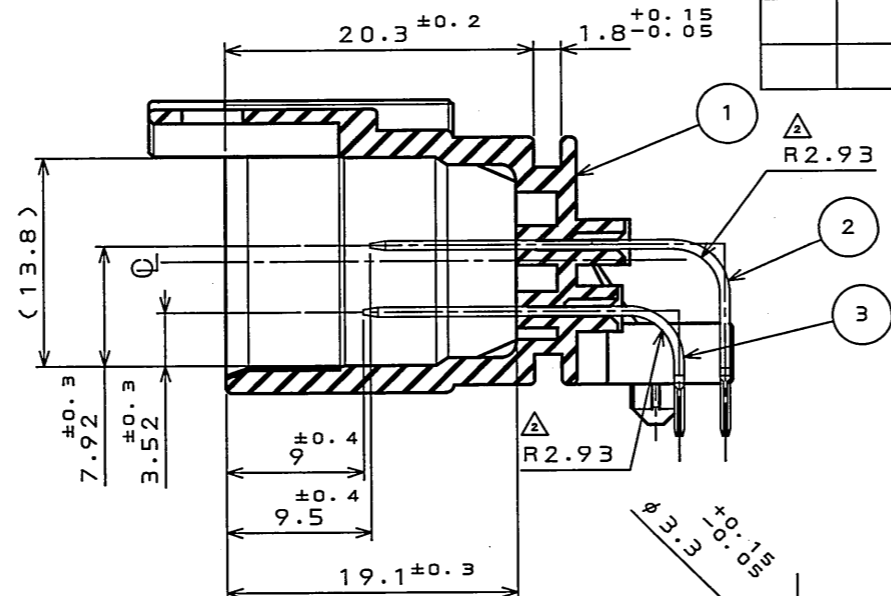
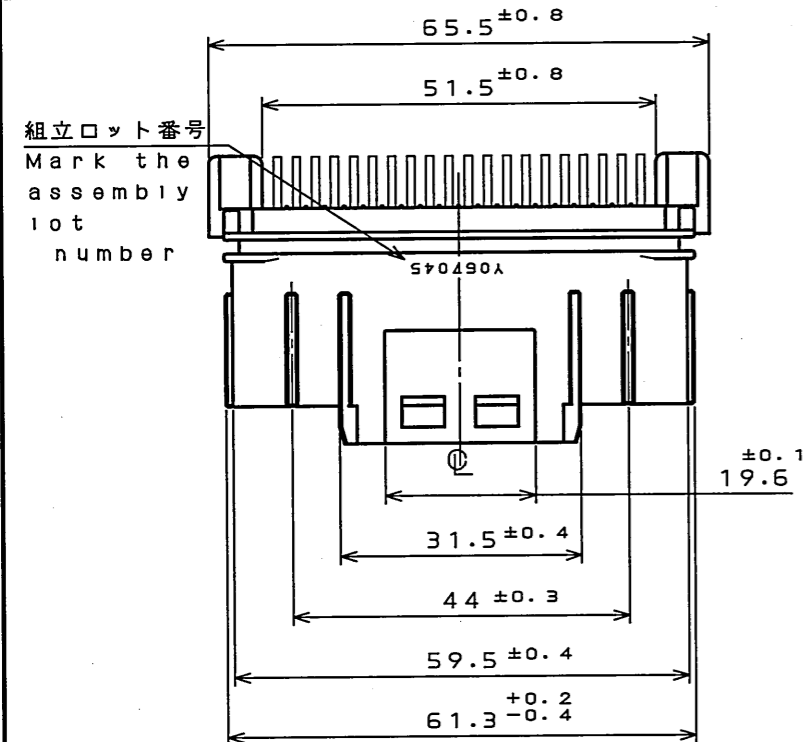
Email & Skype: info@chipsmall.com Web: www.chipsmall.com

Address: A1208, Overseas Decoration Building, #122 Zhenhua RD., Futian, Shenzhen, China



7Z1901RS
(DRAWING NO.)

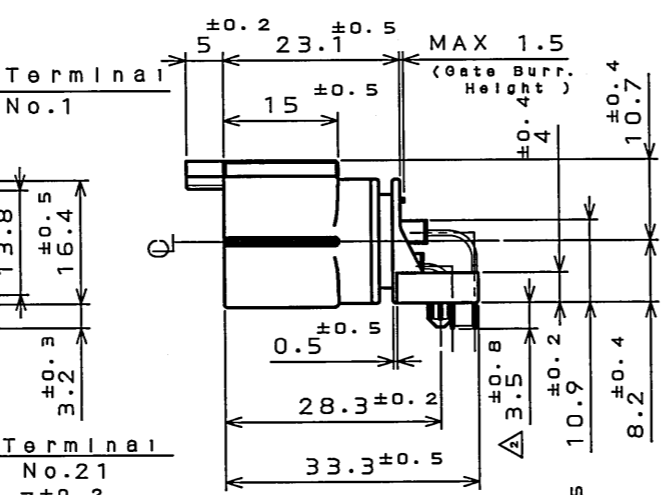
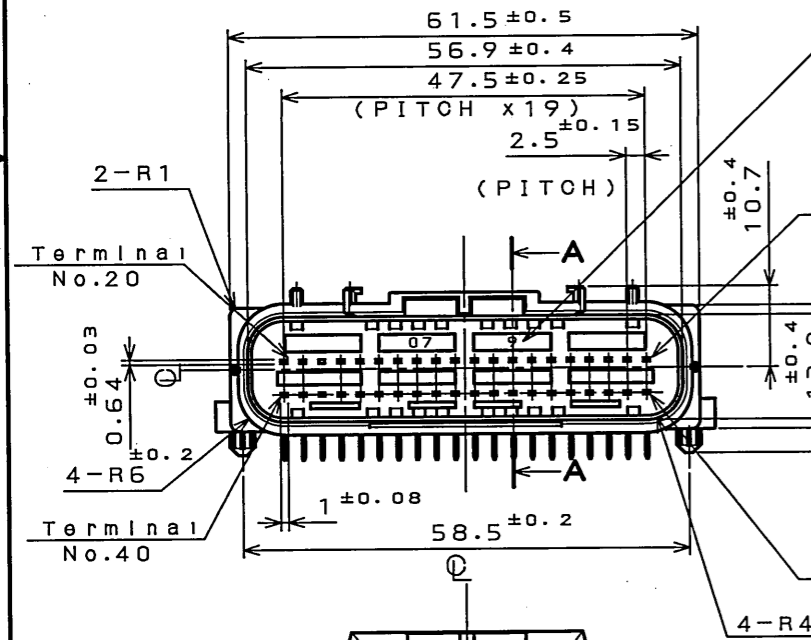
版数 REV.	年月日 DATE	DCN NO.	変更内容 DESCRIPTION	製図 DR.	担当 CHK.	査閲 APPD.	承認 APPD.
2	30.Jun.2008	066098	誤記適正		A.KIMURA		N.Oiri



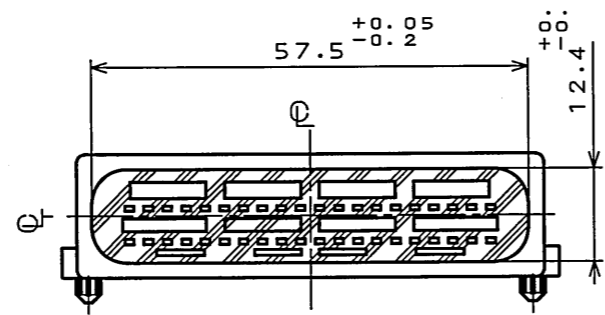
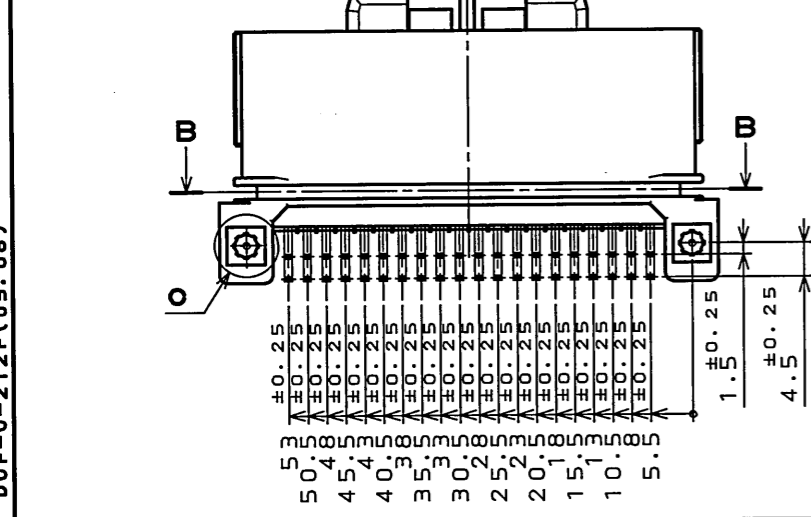
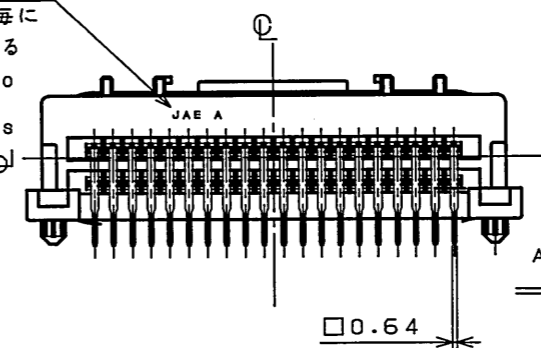
○部 ソケットハウジング側ケーブル
φ2.3まで可能位置
Capable size of cable for socket housing is Max φ2.3.

○部以外 (無印箇所)
ソケットハウジング側ケーブル
φ1.9まで使用可能位置
Unmarked area, Capable size of cable for socket housing is Max φ1.9.

Applicable cable size for socket housing
ソケットハウジング側適用ケーブル径



社標、キャビマーク刻印
キャビマークは金型キャビ毎に
A,B,C...の順に刻印する
Raised company logo and cavity mark.
Cavity mark appears in alphabetical order.



符号 NO.	名称 DESCRIPTION	個数 QTY.	材料 MATERIAL	仕上 FINISH	備考 REMARKS
3	Pin Contact 2	20	Brass	Thin plate	
2	Pin Contact 1	20	Brass	Thin plate	
1	Pin Insulator	1	30%GF PBT	Color: Black	

仕様書 (SPECIFICATION) JACS-1728	第1版 (ORIGINAL DATE) 19.Sep.2007	尺度 (SCALE) 1:1	シリーズ (SERIES) MX23A
製図 DR. Y.OBATA	担当 CHK. A.KIMURA	名称 (TITLE) MX23A40NF1 40-PIN CONTACTS INSULATOR	
公差 (GENERAL TOLERANCE) 寸法 (DIMENSION) 角度 (ANGLES)	査閲 APPD. 承認 APPD. N.OIRI	質量 (MASS)	
・ ±0.8 X° ± ・ X ±0.4 X°X' ± ・ XX ±0.1 ・ XXX ±			

日本航空電子工業株式会社 JAPAN AVIATION ELECTRONICS INDUSTRY, LTD.	図面番号 (DRAWING NO.) SJ106127	版数 (REV.) 2
---	--------------------------------	----------------