



Chipsmall Limited consists of a professional team with an average of over 10 year of expertise in the distribution of electronic components. Based in Hongkong, we have already established firm and mutual-benefit business relationships with customers from,Europe,America and south Asia,supplying obsolete and hard-to-find components to meet their specific needs.

With the principle of “Quality Parts,Customers Priority,Honest Operation,and Considerate Service”,our business mainly focus on the distribution of electronic components. Line cards we deal with include Microchip,ALPS,ROHM,Xilinx,Pulse,ON,Everlight and Freescale. Main products comprise IC,Modules,Potentiometer,IC Socket,Relay,Connector.Our parts cover such applications as commercial,industrial, and automotives areas.

We are looking forward to setting up business relationship with you and hope to provide you with the best service and solution. Let us make a better world for our industry!



Contact us

Tel: +86-755-8981 8866 Fax: +86-755-8427 6832

Email & Skype: info@chipsmall.com Web: www.chipsmall.com

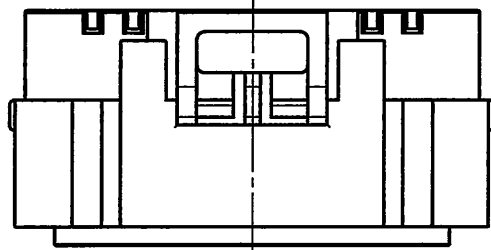
Address: A1208, Overseas Decoration Building, #122 Zhenhua RD., Futian, Shenzhen, China



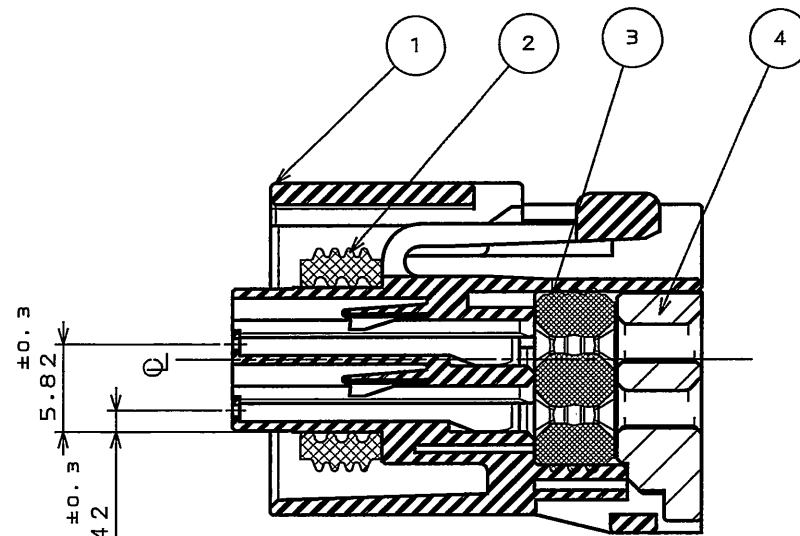
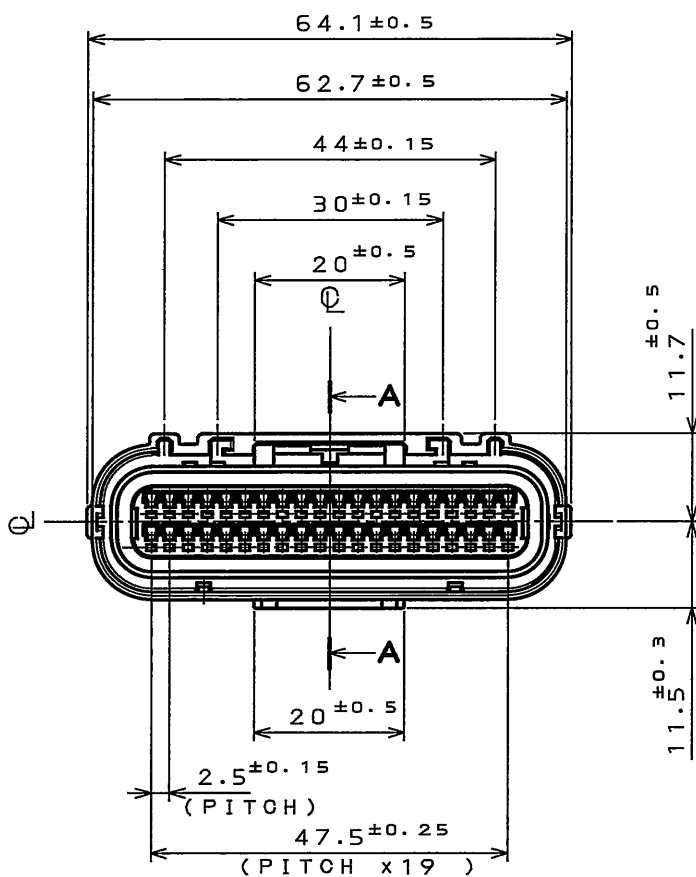
SJ106125

(DRAWING NO.) 台番号

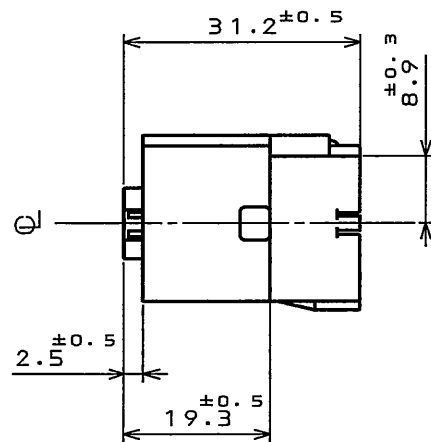
版数 REV.	年月日 DATE	DCN NO.	変更内容 DESCRIPTION	製図 DR.	担当 CHK.	査閲 APPD.	承認 APPD.



φ

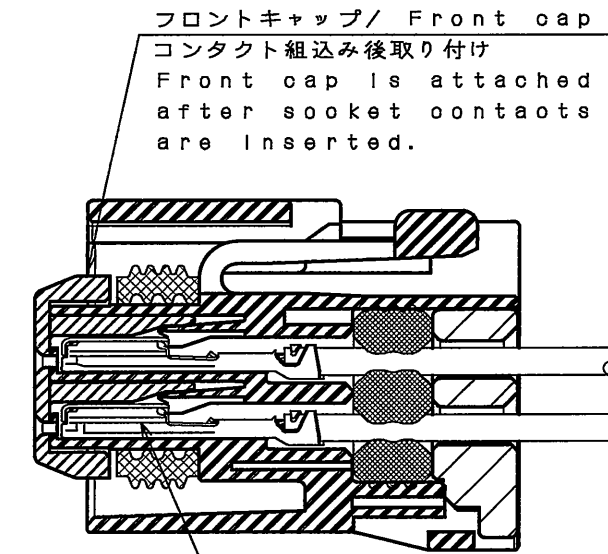


SECT. A-A
(SCALE 2:1)



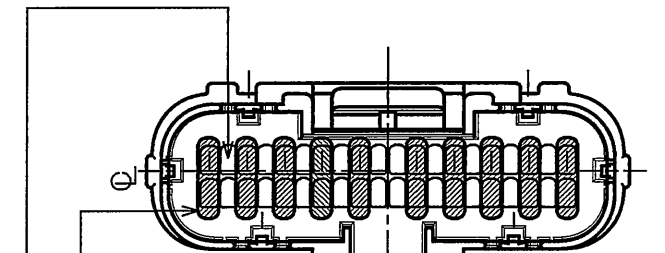
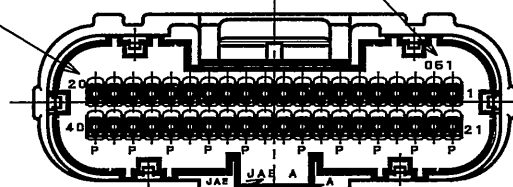
端子番号
1,20,21,40刻印
Raised contact
number
(1,20,21,40)

社票、キャビマーク刻印
キャビマークは金型キャビ毎に
A,B,C...の順に刻印する。
Raised company logo and
cavity mark appears in
alphabetical order.



SOCKET CONTACT
ソケットコンタクト
ASSEMBLY FIGURE (REF.)
(SCALE 2:1)

成形ロット番号
Raised molding
lot number



部適用電線サイズ
電線呼び 0.3 ~ 1.25sq 相当電線
被覆外形 φ1.4 ~ φ2.3
使用可能な電線例
AVSS 0.3 ~ 1.25
AVSS 0.3f ~ 1.25f など

部適用電線サイズ
電線呼び 0.5 ~ 0.85sq 相当電線
被覆外形 φ1.4 ~ φ1.9
使用可能な電線例
AVSS 0.3 ~ 0.85
AVSS 0.3f ~ 0.75f など

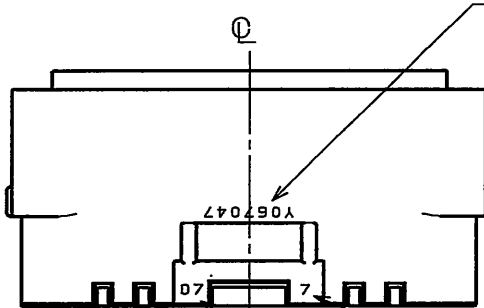
area of Applicable wire size
Conductors : 0.3 ~ 1.25mm²
(Calculation area)
Insulation size : φ1.4 ~ φ2.3

Examples of wire
AVSS 0.3 ~ 1.25
AVSS 0.3f ~ 1.25f

area of Applicable wire size
Conductors : 0.3 ~ 0.85mm²
(Calculation area)
Insulation size : φ1.4 ~ φ1.9

Examples of wire
AVSS 0.3 ~ 0.85
AVSS 0.3f ~ 0.75f

組立ロット番号
Mark the assembly
lot number



成形ロット番号
Raised molding
lot number

4	REAR COVER	1	30%GF PBT (GRAY)		
3	GROMMET	1	SILICONE RUBBER (BLUE)		
2	SEAL	1	SILICONE RUBBER (BLUE)		
1	SOCKET HOUSING	1	30%GF PBT (BLACK)		
符号 NO.	名称 DESCRIPTION	個数 QTY.	材料 MATERIAL	仕上 FINISH	備考 REMARKS
仕様書 (SPECIFICATION) JACS-1728		第1版 (ORIGINAL DATE) 19.Sep.2007		尺度 (SCALE) 1:1	シリーズ (SERIES) MX23A
公差 (GENERAL TOLERANCE)		製図 DR. Y.OBATA		名称 (TITLE) MX23A40SF1 MX23A 40 CONTACTS SOCKET HOUSING	
寸法 (DIMENSION)		担当 CHK. A.KIMURA			
角度 (ANGLES)		査閲 APPD.			
. ±0.8 .X ±0.4 .XX ±0.1 .XXX ±		承認 APPD. N.Oiri			
質量 (MASS)				日本航空電子工業株式会社 JAPAN AVIATION ELECTRONICS INDUSTRY, LTD.	
				図面番号 (DRAWING NO.) SJ106125	