



Chipsmall Limited consists of a professional team with an average of over 10 year of expertise in the distribution of electronic components. Based in Hongkong, we have already established firm and mutual-benefit business relationships with customers from,Europe,America and south Asia,supplying obsolete and hard-to-find components to meet their specific needs.

With the principle of “Quality Parts,Customers Priority,Honest Operation,and Considerate Service”,our business mainly focus on the distribution of electronic components. Line cards we deal with include Microchip,ALPS,ROHM,Xilinx,Pulse,ON,Everlight and Freescale. Main products comprise IC,Modules,Potentiometer,IC Socket,Relay,Connector.Our parts cover such applications as commercial,industrial, and automotives areas.

We are looking forward to setting up business relationship with you and hope to provide you with the best service and solution. Let us make a better world for our industry!



Contact us

Tel: +86-755-8981 8866 Fax: +86-755-8427 6832

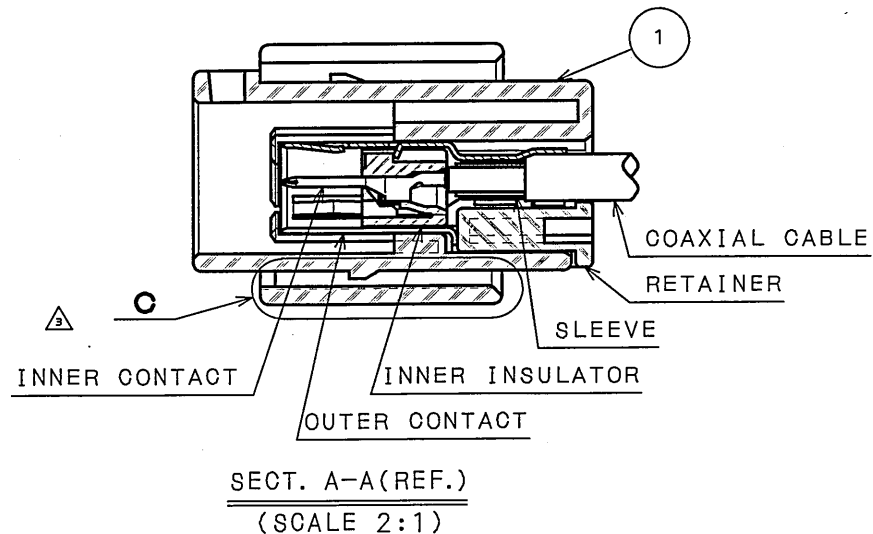
Email & Skype: info@chipsmall.com Web: www.chipsmall.com

Address: A1208, Overseas Decoration Building, #122 Zhenhua RD., Futian, Shenzhen, China

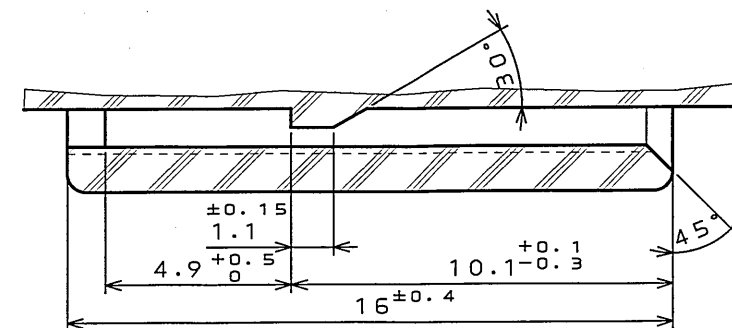


E9Z5E0PS
(ON ΘIMVHD)台裏図

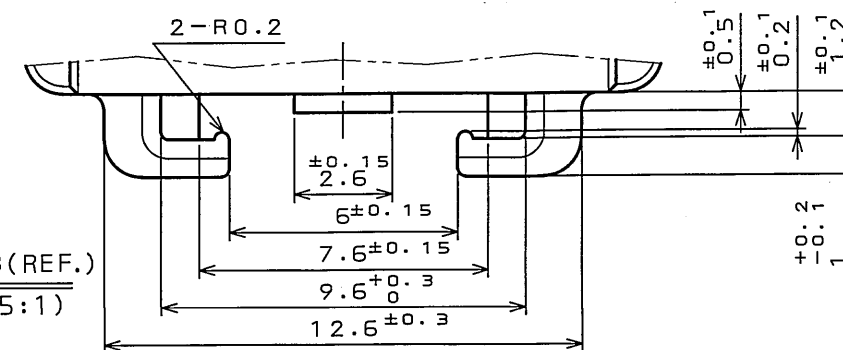
版数 REV.	年月日 DATE	DCN NO.	変更内容 DESCRIPTION	製図 DR.	担当 CHK.	査閲 APPD.	承認 APPD.
2	25.Jan.2002	49406	CHANGED SPECIAL CONTROL ITEM AND NOTE.	H.ITAKURA	N.OGAWA	—	T.TOTANI
3	17.Dec.2003	054036	THE LIST COMPONENTS WAS PARTLY CHANGED	J.ICHIYAMA	N.OGAWA	—	T. OKA



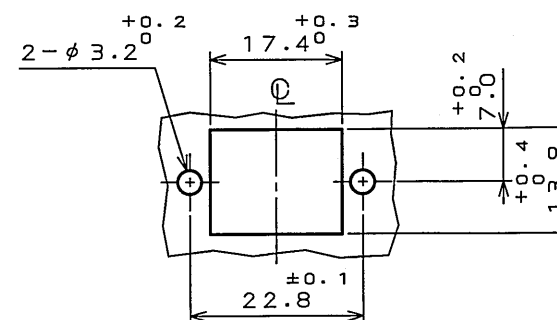
DETAIL C(REF.)
(SCALE 5:1)



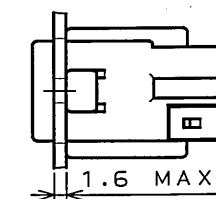
DETAIL B(REF.)
(SCALE 5:1)



PANEL PATTERNS(REF.)
パネル取付寸法(参考)



PANEL MOUNTED CONDITION(REF.)
パネルマウント状態図(参考)



特別管理品目
SPECIAL CONTROL ITEM
M X 2 5

- NOTE1.THIS PART IS MX25002PN1 MADE BY JAE.
2.COUNTERPART CONNECTOR IS MX25002SN1 MADE BY JAE.
△ 3.APPLICABLE WIRE:1.5DS-GXC-SP(MAKER:Sumitomo Electric Industries,Ltd.)
AND R0-174(MAKER:Fujikura,Ltd.)
4.REFERENCE SCREW:JIS B 1115,1122 OR 1123 M3 TAPPING SCREW 2 OR 4 GRADE. 6mm LENGTH. △

- 注1.本製品は日本航空電子工業(株)のMX25002PN1である。
2.本製品の相手側はMX25002SN1である。
△ 3.適用電線サイズは1.5DS-GXC-SP(住友電気工業(株)製)及びR0-174((株)フジクラ製)である。
4.(参考)取付けネジ:JIS B 1115,1122 又は 1123 M3X6 タッピンネジ 2種又は4種。

1	HOUSING	1	PBT	仕上 FINISH		COLOR:BLACK
符号 NO.	名称 DESCRIPTION	個数 QTY.	材料 MATERIAL	備考 REMARKS		
	仕様書(SPECIFICATION) JACS-1657		第1版(ORIGINAL DATE) 22.Aug.2001	JAE-CONNECTOR.COM		日本航空電子工業株式会社
	公差(GENERAL TOLERANCE)		製図 DR. M.TANAKA	名称(TITLE) MX25002PN1		JAPAN AVIATION ELECTRONICS INDUSTRY, LTD.
	寸法(DIMENSION)		担当 CHK. N.OGAWA	(PIN HOUSING)		図面番号(DRAWING NO.)
	角度(ANGLES)		査閲 APPD. —			
	. ±0.4		承認 APPD. T.TOTANI	重量(WEIGHT)		SJ035763
	.X ±0.4			重量(WEIGHT)		
	.XX ±					
	.XXX ±					