



Chipsmall Limited consists of a professional team with an average of over 10 year of expertise in the distribution of electronic components. Based in Hongkong, we have already established firm and mutual-benefit business relationships with customers from,Europe,America and south Asia,supplying obsolete and hard-to-find components to meet their specific needs.

With the principle of “Quality Parts,Customers Priority,Honest Operation,and Considerate Service”,our business mainly focus on the distribution of electronic components. Line cards we deal with include Microchip,ALPS,ROHM,Xilinx,Pulse,ON,Everlight and Freescale. Main products comprise IC,Modules,Potentiometer,IC Socket,Relay,Connector.Our parts cover such applications as commercial,industrial, and automotives areas.

We are looking forward to setting up business relationship with you and hope to provide you with the best service and solution. Let us make a better world for our industry!



Contact us

Tel: +86-755-8981 8866 Fax: +86-755-8427 6832

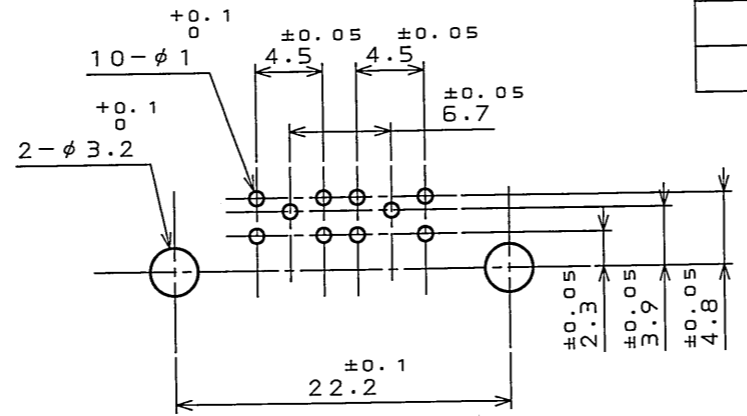
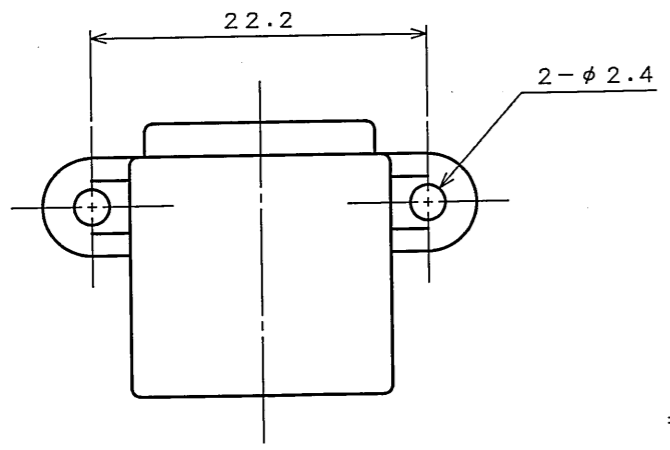
Email & Skype: info@chipsmall.com Web: www.chipsmall.com

Address: A1208, Overseas Decoration Building, #122 Zhenhua RD., Futian, Shenzhen, China

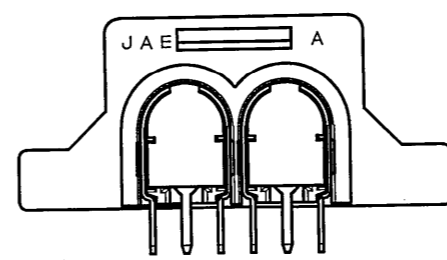
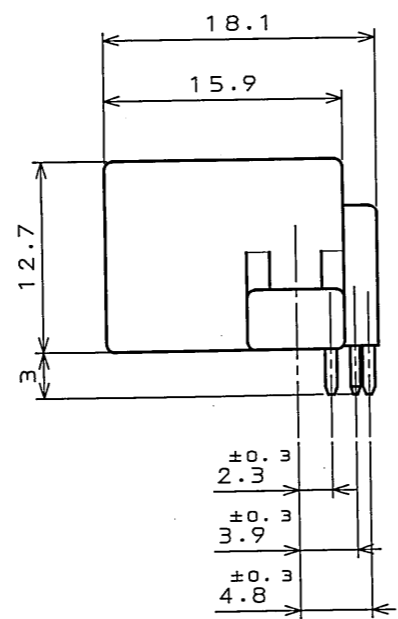
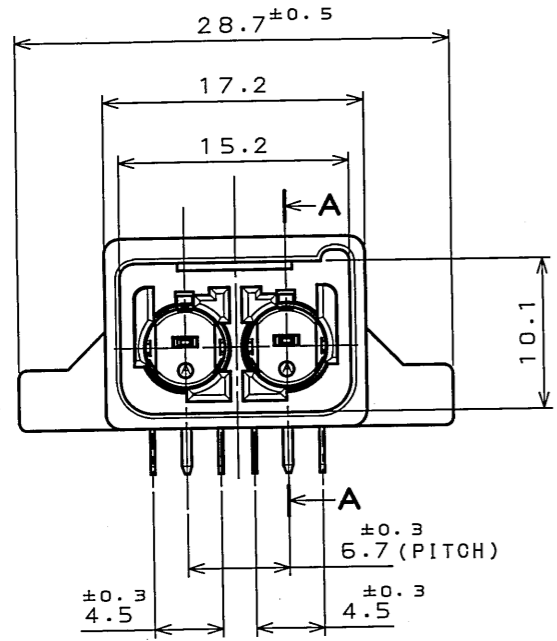
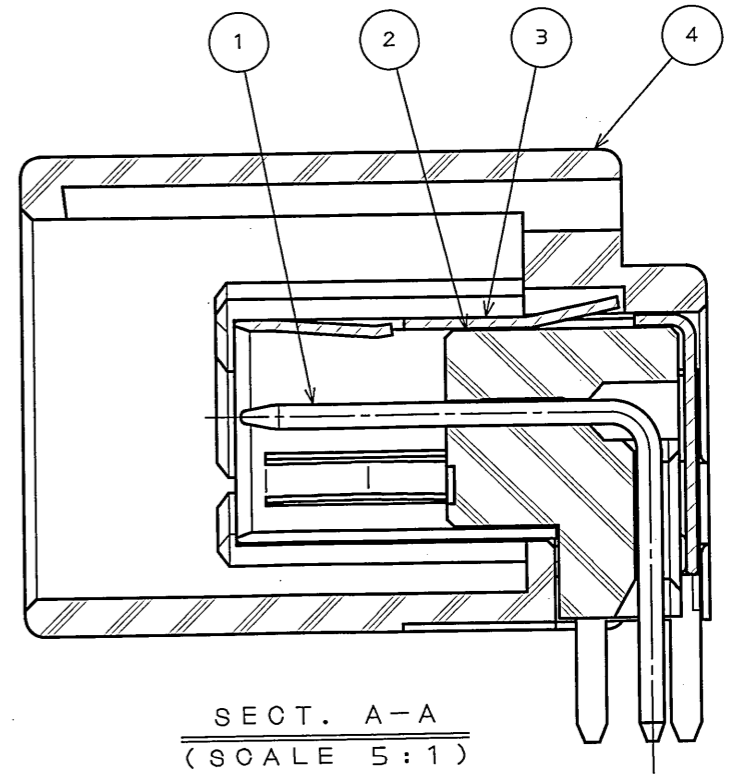


9Z99E0FS
('ON 0NIMAYH) 番号图

版数 REV.	年月日 DATE	DCN NO.	変更内容 DESCRIPTION	製図 DR.	担当 CHK.	査閲 APPD.	承認 APPD.
3	20.Jan.2004	054035	REDRAWN(BILINGUAL)	J.ICHIYAMA	N.09AWA	—	T.OKA



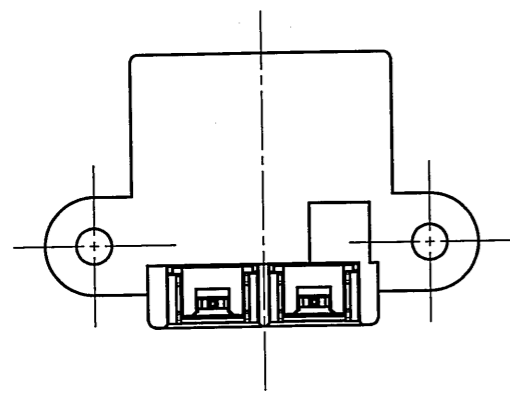
APPLICABLE P.C.B. DIMENSION(REF.)
適合基板寸法(参考)



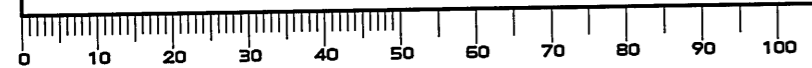
NOTE 1. FREQUENCY RANGE: DC~30Hz.
2. REFERENCE SCREW: JIS B 1115,1122 OR 1123 M3 TAPPING SCREW 2 OR 4 GRADE. 6mm LENGTH.
注1.本コネクタの使用周波数帯域はDC~30Hzである。
2.(参考)取付けネジ: JIS B 1115,1122 又は 1123 M3×6 タッピンネジ 2種又は4種。

符号 NO.	名称 DESCRIPTION	個数 QTY.	材料 MATERIAL	仕上 FINISH	備考 REMARKS
4	OUTER INSULATOR	1	GF PBT	—	—
3	OUTER CONTACT	2	PHOSPHOR BRONZE	TIN PLATING	—
2	INNER INSULATOR	2	GF LCP	—	—
1	INNER CONTACT	2	BRASS	TIN PLATING	—

仕様書(SPECIFICATION) JACS-1720	第1版(ORIGINAL DATE) 2.Aug.2002	尺度(SCALE) 1:1	シリーズ(SERIES) MX25A
公差(GENERAL TOLERANCE)	製図 DR.	JAE-CONNECTOR.COM	
寸法(DIMENSION)	担当 CHK.	名称(TITLE) MX25A02NP1	
角度(ANGLES)	査閲 APPD.	Reference Only	
. ±0.4	承認 APPD.	MX25A CONNECTOR 2-CONTACT ANGLE PIN HEADER	
.X ±0.4	承認 APPD.	重量(WEIGHT)	
.XX ±		T.OKA	
.XXX ±		T.OKA	



DOF-0-212E(03.08)



日本航空電子工業株式会社
JAPAN AVIATION
ELECTRONICS
INDUSTRY, LTD.
図面番号(DRAWING NO.)
SJ036676

版数
(REV.)
3