



Chipsmall Limited consists of a professional team with an average of over 10 year of expertise in the distribution of electronic components. Based in Hongkong, we have already established firm and mutual-benefit business relationships with customers from,Europe,America and south Asia,supplying obsolete and hard-to-find components to meet their specific needs.

With the principle of “Quality Parts,Customers Priority,Honest Operation,and Considerate Service”,our business mainly focus on the distribution of electronic components. Line cards we deal with include Microchip,ALPS,ROHM,Xilinx,Pulse,ON,Everlight and Freescale. Main products comprise IC,Modules,Potentiometer,IC Socket,Relay,Connector.Our parts cover such applications as commercial,industrial, and automotives areas.

We are looking forward to setting up business relationship with you and hope to provide you with the best service and solution. Let us make a better world for our industry!



Contact us

Tel: +86-755-8981 8866 Fax: +86-755-8427 6832

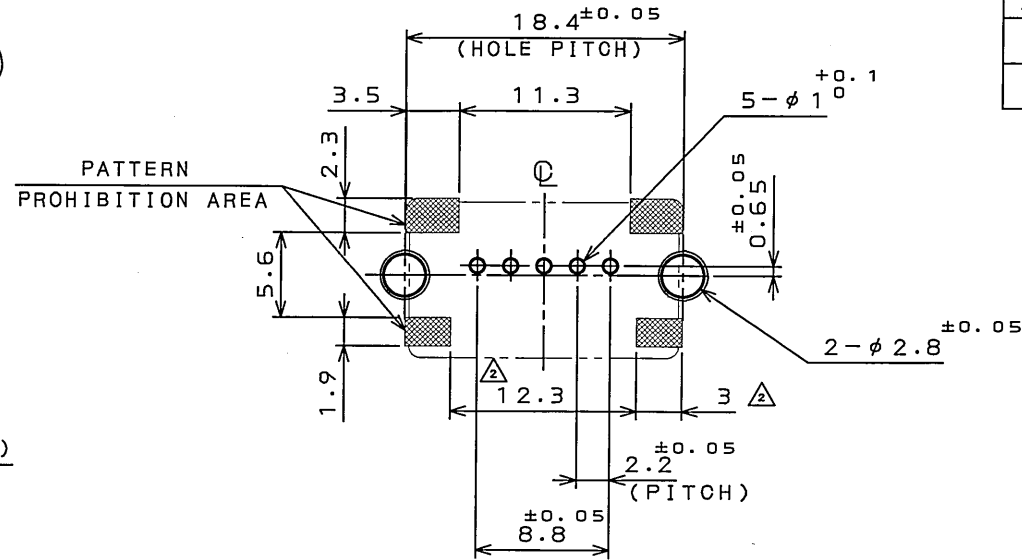
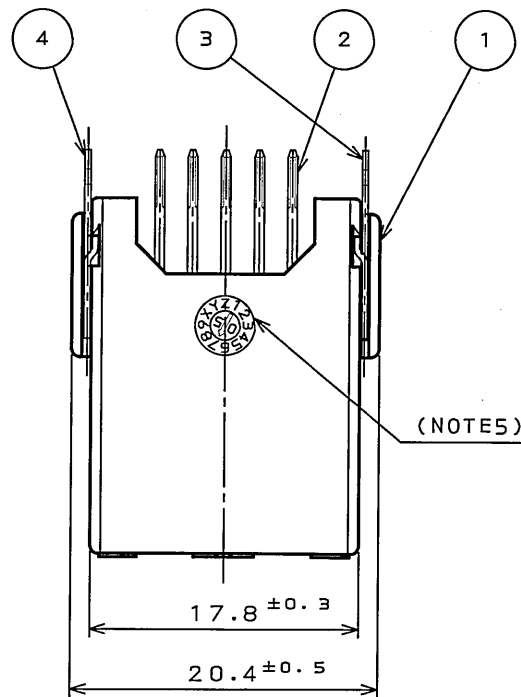
Email & Skype: info@chipsmall.com Web: www.chipsmall.com

Address: A1208, Overseas Decoration Building, #122 Zhenhua RD., Futian, Shenzhen, China

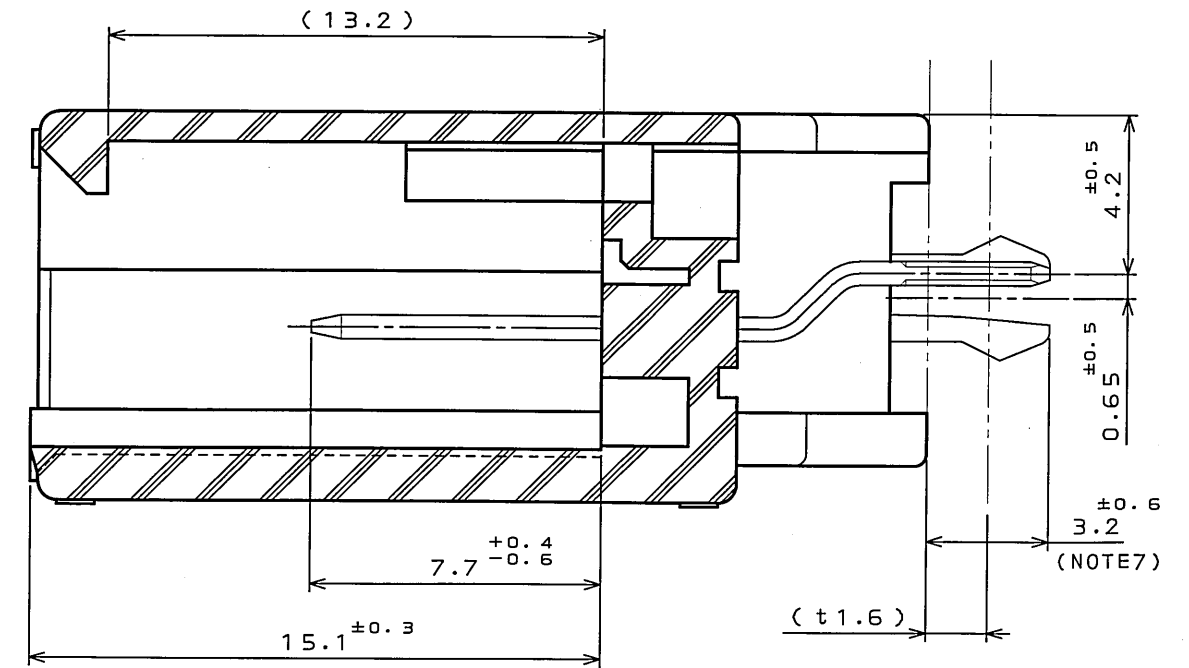


SJ104369
(ON DRAWING) (DRAWING NO.)

版数 REV.	年月日 DATE	DCN NO.	変更内容 DESCRIPTION	製図 DR.	担当 CHK.	査閲 APPD.	承認 APPD.
2	28.Feb.2006	059471	Changed shape & dimension.		S.KITAMURA		



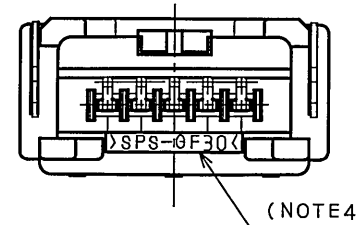
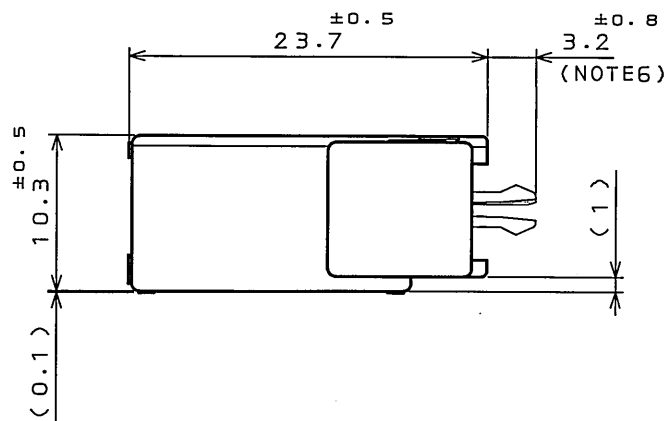
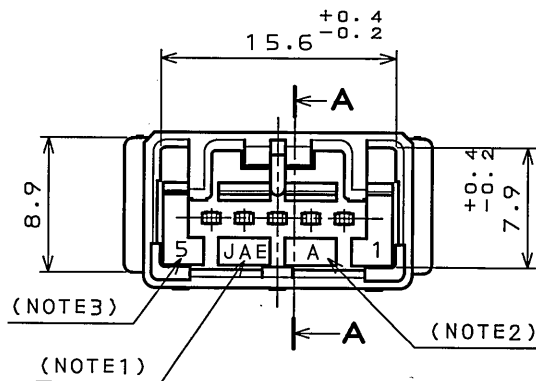
APPLICABLE P.C.B. HOLE LOCATION (REF.)
(NOTE8 & SEE TABLE1)



SECT. A-A
(SCALE 5:1)

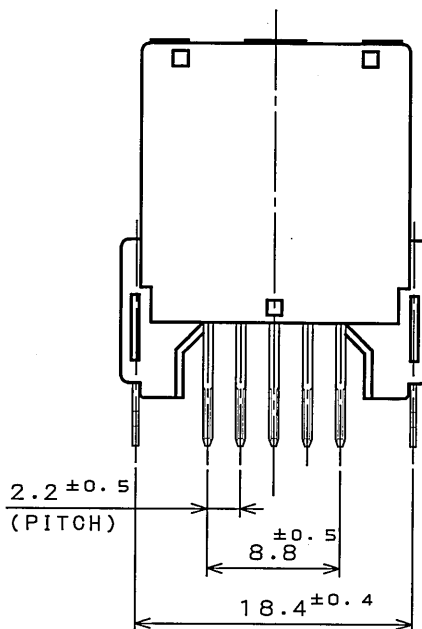
TABLE1: APPLICABLE P.C.B. SPECIFICATION

APPLICABLE P.C.B. THICKNESS 適合基板厚	$t 1.6^{+0.2}_{-0.1}$
FINISHED HOLE DIA. 仕上径	HOOK PIN HOLE: $\phi 2.8^{+0.05}$ (LAND DIA.: $\phi 3.3$) (THROUGH HOLE PLATED)
	TERMINAL HOLE: $\phi 1.0^{+0.1}$
P.C.B. MATERIAL 基板材質	FIBERGLASS EPOXY COMPOSITE P.C.B. ガラス布入りエポキシ積層板



- NOTE1. COMPANY LOGO "JAE" APPEARS IN RAISED LETTERS.
 2. MOLD CAVITY DESIGNATOR APPEARS IN RAISED LETTERS.
 3. POSITION NO. APPEARS IN RAISED LETTERS.
 4. MATERIAL MARK "SPS-GF30" APPEARS IN RAISED LETTERS.
 5. LOT NO. APPEARS IN RAISED LETTERS.
 6. THIS DIMENSION SHOWS TIP OF TERMINAL.
 7. THIS DIMENSION SHOWS TIP OF HOOK PINS.
 6. PLEASE SOLDER THE HOOK-PINS FOR CONNECTOR HOLDING.

- 注1. 社標を浮き出す。
 2. 金型マークを浮き出す。
 3. 端子No.を浮き出す。
 4. 材料マーク"SPS-GF30"を浮き出す。
 5. ロットNo.を浮き出す。
 6. 本部寸法はコンタクト長さ寸法を示す。
 7. 本部寸法はフックピン長さ寸法を示す。
 8. コネクタ保持の為に、フックピンもソルダーリングして下さい。



符号 NO.	名称 DESCRIPTION	個数 QTY.	材料 MATERIAL	仕上 FINISH	備考 REMARKS
4	HOOK PIN-L	1	COPPER ALLOY	PLATING: Sn	
3	HOOK PIN-R	1	COPPER ALLOY	PLATING: Sn	
2	CONTACT	5	BRASS	PLATING: Sn	
1	INSULATOR	1	SPS-GF30		COLOR: GRAY
仕様書 (SPECIFICATION) JACS-1754 JABL-1754		第1版 (ORIGINAL DATE) 4.Jul.2005		尺度 (SCALE) 2:1	シリーズ (SERIES) MX34
一般公差 (GENERAL TOLERANCE)		製図 DR.		名称 (TITLE) MX34005UF1	
寸法 (DIMENSION)		担当 CHK. S.HARA		STRAIGHT PINHEADER	
角度 (ANGLES)		査閲 APPD.		質量 (MASS)	
. ± 0.8		承認 APPD. T.ISHIWA		図面番号 (DRAWING NO.) SJ104369	
.X ± 0.4				版数 (REV.) 2	
.XX ± 0.1					
.XXX ±					