



Chipsmall Limited consists of a professional team with an average of over 10 year of expertise in the distribution of electronic components. Based in Hongkong, we have already established firm and mutual-benefit business relationships with customers from,Europe,America and south Asia,supplying obsolete and hard-to-find components to meet their specific needs.

With the principle of “Quality Parts,Customers Priority,Honest Operation,and Considerate Service”,our business mainly focus on the distribution of electronic components. Line cards we deal with include Microchip,ALPS,ROHM,Xilinx,Pulse,ON,Everlight and Freescale. Main products comprise IC,Modules,Potentiometer,IC Socket,Relay,Connector.Our parts cover such applications as commercial,industrial, and automotives areas.

We are looking forward to setting up business relationship with you and hope to provide you with the best service and solution. Let us make a better world for our industry!



Contact us

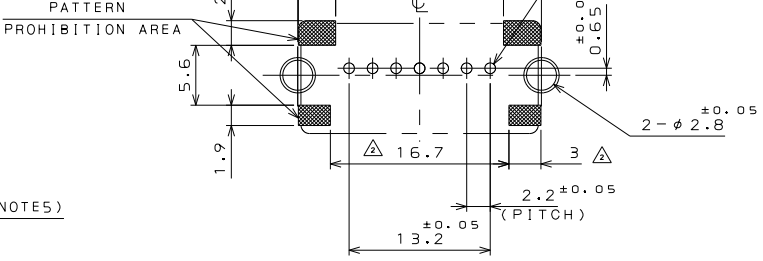
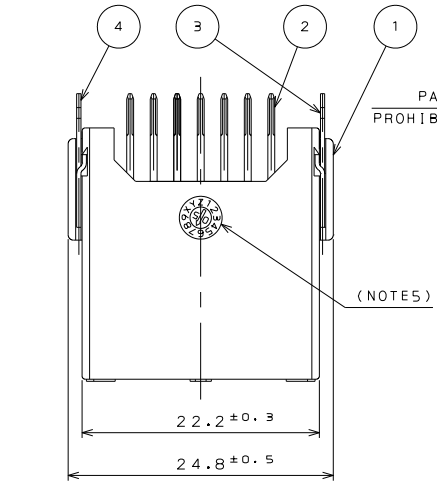
Tel: +86-755-8981 8866 Fax: +86-755-8427 6832

Email & Skype: info@chipsmall.com Web: www.chipsmall.com

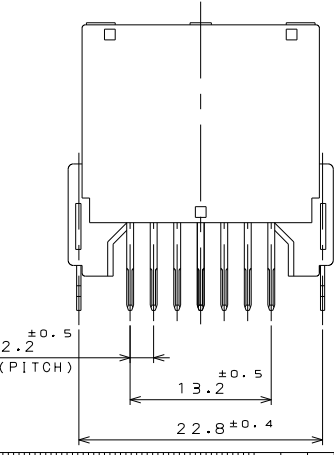
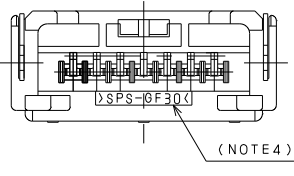
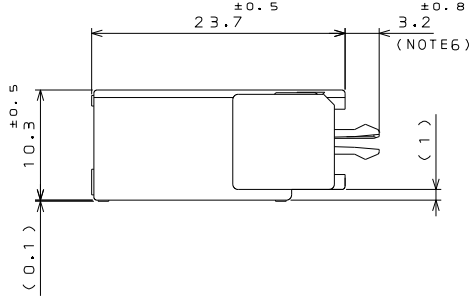
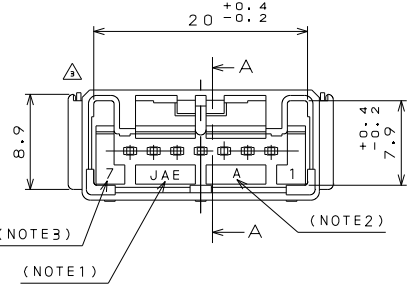
Address: A1208, Overseas Decoration Building, #122 Zhenhua RD., Futian, Shenzhen, China



SJ104370
(DRAWING NO.)



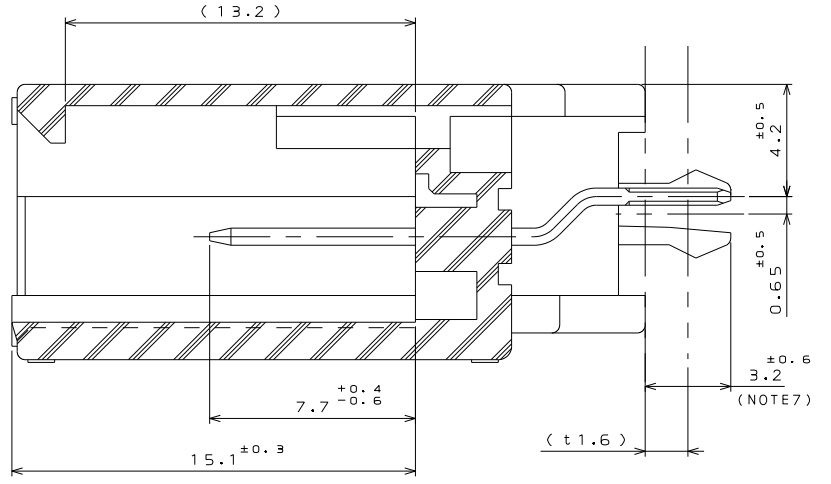
APPLICABLE P.C.B. HOLE LOCATION (REF.)
(NOTE8 & SEE TABLE1)



- NOTE1. COMPANY LOGO "JAE" APPEARS IN RAISED LETTERS.
 2. MOLD CAVITY DESIGNATOR APPEARS IN RAISED LETTERS.
 3. POSITION NO. APPEARS IN RAISED LETTERS.
 4. MATERIAL MARK ">SPS-GF30<" APPEARS IN RAISED LETTERS.
 5. LOT NO. APPEARS IN RAISED LETTERS.
 6. THIS DIMENSION SHOWS TIP OF TERMINAL.
 7. THIS DIMENSION SHOWS TIP OF HOOK PINS.
 8. PLEASE SOLDER THE HOOK-PINS FOR CONNECTOR HOLDING.

- 注1. 社標を浮き出す。
 2. 金型マークを浮き出す。
 3. 端子No.を浮き出す。
 4. 材料マーク">SPS-GF30<"を浮き出す。
 5. ロットNo.を浮き出す。
 6. 本部分法はコンタクト長さ寸法を示す。
 7. 本部分法はフックピン長さ寸法を示す。
 8. コネクタ保持の為に、フックピンもソルダリングして下さい。

版数 REV.	年月日 DATE	DCN NO.	変更内容 DESCRIPTION	製図 DR.	担当 CHK.	査閲 APPD.	承認 APPD.
2	28.Feb.2006	059471	Changed shape & dimension.		S.KITAMURA		T.ISHIWA
3	15.Jul.2016	018168	Correction of shape.		H.YAMAMOTO	T.MAEDA	K.KAWASE



SECT. A-A
(SCALE 5:1)

TABLE1: APPLICABLE P.C.B. SPECIFICATION

APPLICABLE P.C.B. THICKNESS 適合基板厚	t1.6 ^{+0.2} / _{-0.1}
FINISHED HOLE DIA. 仕上径	HOOK PIN HOLE: φ2.8 ^{±0.05} (LAND DIA.:φ3.3) (THROUGH HOLE PLATED)
	TERMINAL HOLE: φ1 ^{+0.1} / ₀
P.C.B. MATERIAL 基板材質	FIBERGLASS EPOXY COMPOSITE P.C.B. ガラス布入りエポキシ積層板

4	HOOK PIN-L	1	COPPER ALLOY	PLATING: Sn	
3	HOOK PIN-R	1	COPPER ALLOY	PLATING: Sn	
2	CONTACT	7	BRASS	PLATING: Sn	
1	INSULATOR	1	SPS-GF30		COLOR: GRAY
符号 NO.	名称 DESCRIPTION	個数 QTY.	材料 MATERIAL	仕上 FINISH	備考 REMARKS
仕様書 (SPECIFICATION) JACS-1754 JAHL-1754		第1版 (ORIGINAL DATE) 4.Jul.2005		尺度 (SCALE) 2:1	シリーズ (SERIES) MX34
一般公差 (GENERAL TOLERANCE)		製図 DR.		名称 (TITLE)	
寸法 (DIMENSION)		担当 CHK. S.HARA		MX34007UF1	
角度 (ANGLES)		査閲 APPD.		STRAIGHT PINHEADER	
· ±0.8	X° ±	承認 承認 APPD. T.ISHIWA		図面番号 (DRAWING NO.) SJ104370	
·X ±0.4	X°X ±	質量 (MASS)		版数 (REV.) 3	
·XX ±0.1	·XXX ±				

日本航空電子工業株式会社
JAPAN AVIATION ELECTRONICS INDUSTRY, LTD.

WISDOM承認 2016/07/25