



Chipsmall Limited consists of a professional team with an average of over 10 year of expertise in the distribution of electronic components. Based in Hongkong, we have already established firm and mutual-benefit business relationships with customers from,Europe,America and south Asia,supplying obsolete and hard-to-find components to meet their specific needs.

With the principle of "Quality Parts,Customers Priority,Honest Operation,and Considerate Service",our business mainly focus on the distribution of electronic components. Line cards we deal with include Microchip,ALPS,ROHM,Xilinx,Pulse,ON,Everlight and Freescale. Main products comprise IC,Modules,Potentiometer,IC Socket,Relay,Connector.Our parts cover such applications as commercial,industrial, and automotives areas.

We are looking forward to setting up business relationship with you and hope to provide you with the best service and solution. Let us make a better world for our industry!



Contact us

Tel: +86-755-8981 8866 Fax: +86-755-8427 6832

Email & Skype: info@chipsmall.com Web: www.chipsmall.com

Address: A1208, Overseas Decoration Building, #122 Zhenhua RD., Futian, Shenzhen, China

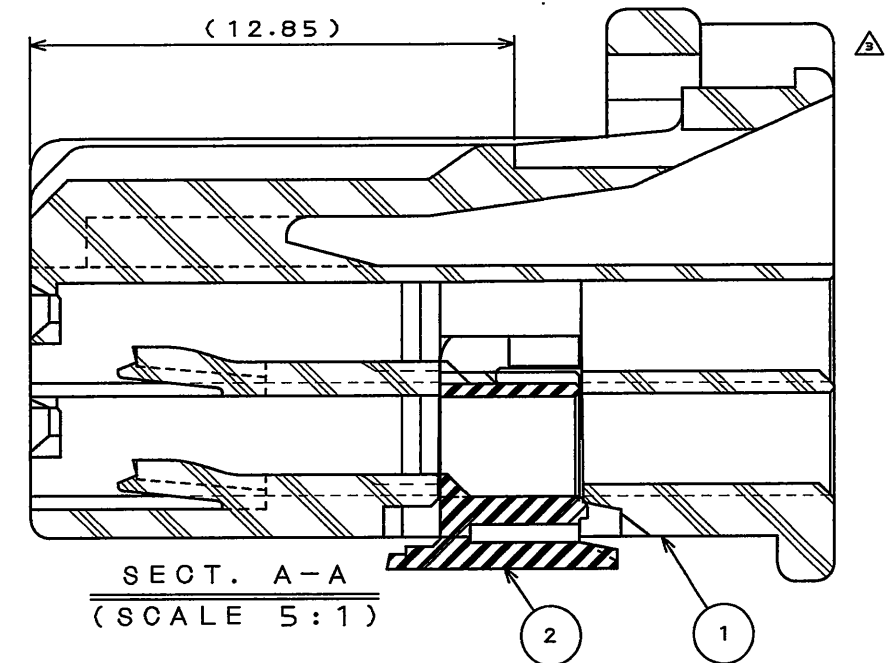
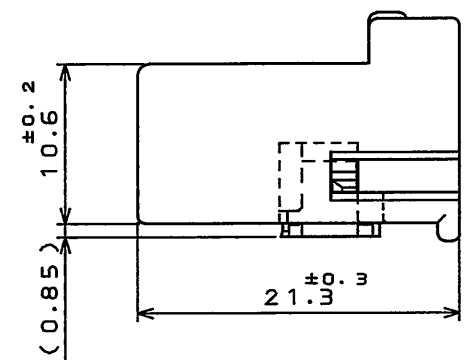
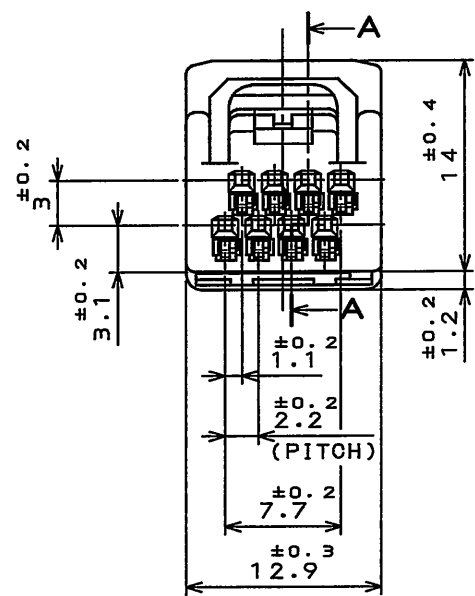
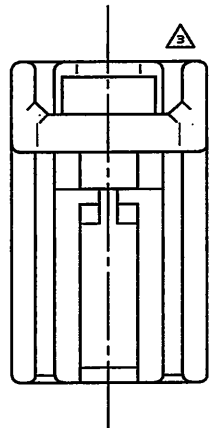


7Z1601PS
(ON 0N1M4H) 台架図

版数 REV.	年月日 DATE	DCN NO.	変更内容 DESCRIPTION	製図 DR.	担当 CHK.	査閲 APPD.	承認 APPD.
2	14.Nov.2008	066892	CHANGE OF TERMINAL MATERIALS PLATING LIST		Y.WATANABE	K.MIYAMOTO	T.KUME
3	18.May.2010	069934	CHANGE OF LOCK LEVER AND TEBLE1		K.NOZAWA	N. Mizugami	T. Kume

△ TABLE1: TERMINAL MATERIAL AND PLATING, WIRE INFORMATION (端子材料、めっき仕様、電線情報)

CODE	PART TITLE	SJ No.	MATERIAL	PLATING	APPLICABLE WIRE
S	M34S75C4F1	038527	HIGH CONDUCTIVITY COPPER ALLOY	TIN PLATING 錫めっき	CHFUS 0.22sq. AVSS 0.3sq. CHFUS 0.35sq. ALL CAVITIES CAN BE APPLIED. 全キャビティ対応
M	M34S75C4F2	038528	高導電性銅合金		CHFUS 0.5sq. AVSS 0.5sq. CAVS 0.5sq. CHFUS 0.75sq. CHFUS 0.75sq. ALL CAVITIES CAN BE APPLIED. 全キャビティ対応
C	M34S75C4F3	038747			CAN SD 0.35sq. FOUR BOTH ENDS CAVITIES CAN BE APPLIED. 両端4箇所のキャビティ対応
L	M34S75C4F4	038893			AVSS 0.85sq. CAVS 0.85sq. FOUR BOTH ENDS CAVITIES CAN BE APPLIED. 両端4箇所のキャビティ対応
X	M34S75C4F5	109336			CHFUS 0.13sq. ALL CAVITIES CAN BE APPLIED. 全キャビティ対応



2	RETAINER	1	PPE+PA66(ALLOY)	COLOR: BLACK	
1	HOUSING	1	PPE+PA66(ALLOY)	COLOR: LIGHT BLUE	
符号 NO.	名称 DESCRIPTION	個数 QTY.	材料 MATERIAL	仕上 FINISH	備考 REMARKS
仕様書 (SPECIFICATION)		第1版 (ORIGINAL DATE)		尺度 (SCALE)	シリーズ (SERIES)
JACS-1754 △ J AHL-1754		1.Sep.2008		2: 1	MX34
公差 (GENERAL TOLERANCE)		製図 DR.		名称 (TITLE)	
寸法 (DIMENSION)		担当 CHK.		MX34008SF4	
角度 (ANGLES)		査閲 APPD.		質量 (MASS)	
· ±0.8	° ±	K.NOZAWA		1.9g	
·X ±0.4	°X ±	N.MIZUGAMI		⊕	
·XX ±0.1		T.KUME			
·XXX ±					
				図面番号 (DRAWING NO.)	
				SJ109127	
				版数 (REV.)	
				3	

DOF-0-212F(05.08)

