



Chipsmall Limited consists of a professional team with an average of over 10 year of expertise in the distribution of electronic components. Based in Hongkong, we have already established firm and mutual-benefit business relationships with customers from,Europe,America and south Asia,supplying obsolete and hard-to-find components to meet their specific needs.

With the principle of "Quality Parts,Customers Priority,Honest Operation,and Considerate Service",our business mainly focus on the distribution of electronic components. Line cards we deal with include Microchip,ALPS,ROHM,Xilinx,Pulse,ON,Everlight and Freescale. Main products comprise IC,Modules,Potentiometer,IC Socket,Relay,Connector.Our parts cover such applications as commercial,industrial, and automotives areas.

We are looking forward to setting up business relationship with you and hope to provide you with the best service and solution. Let us make a better world for our industry!



Contact us

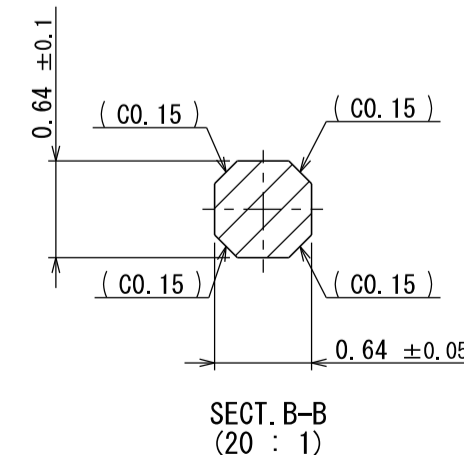
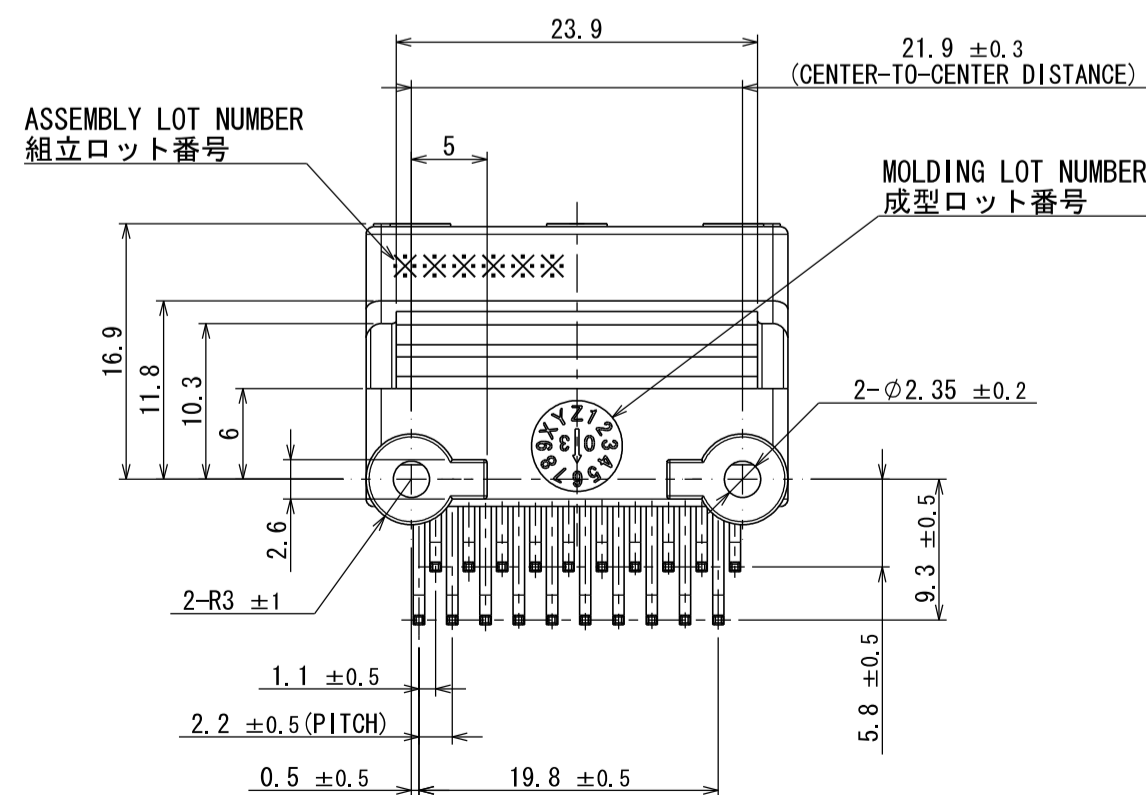
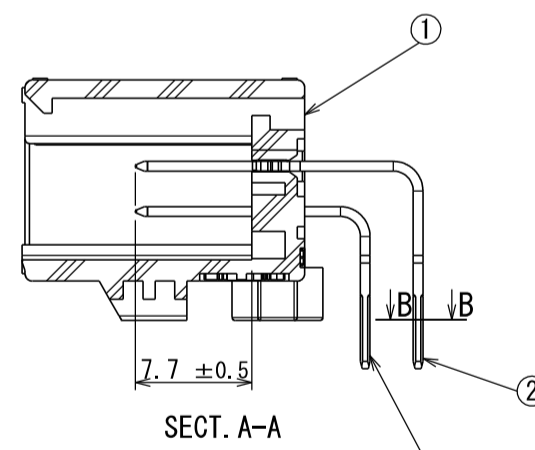
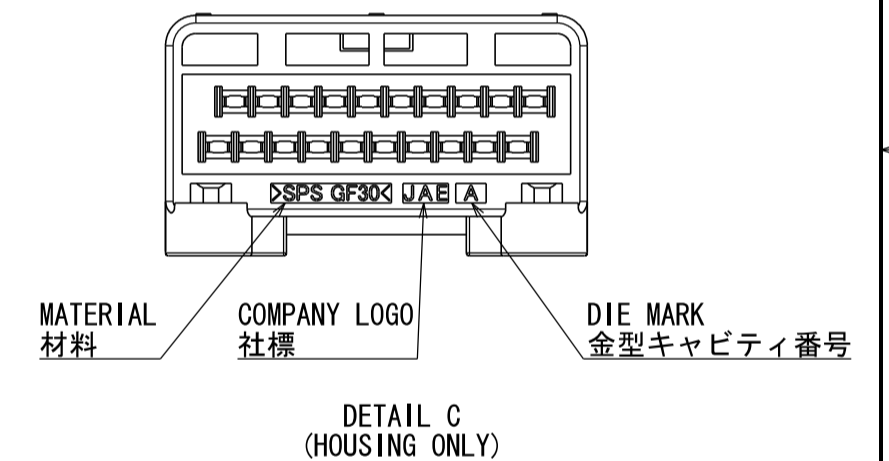
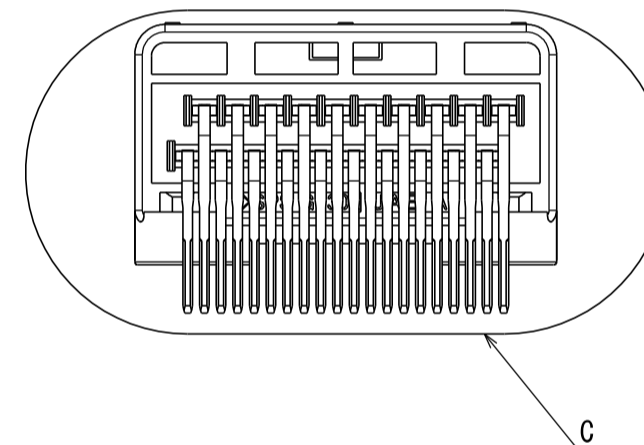
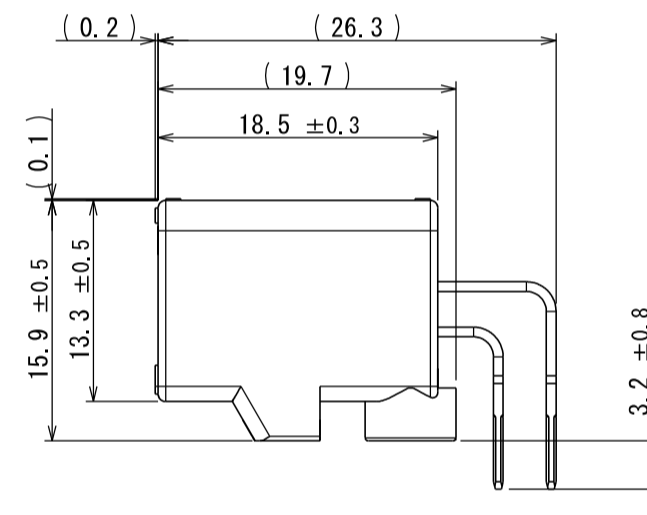
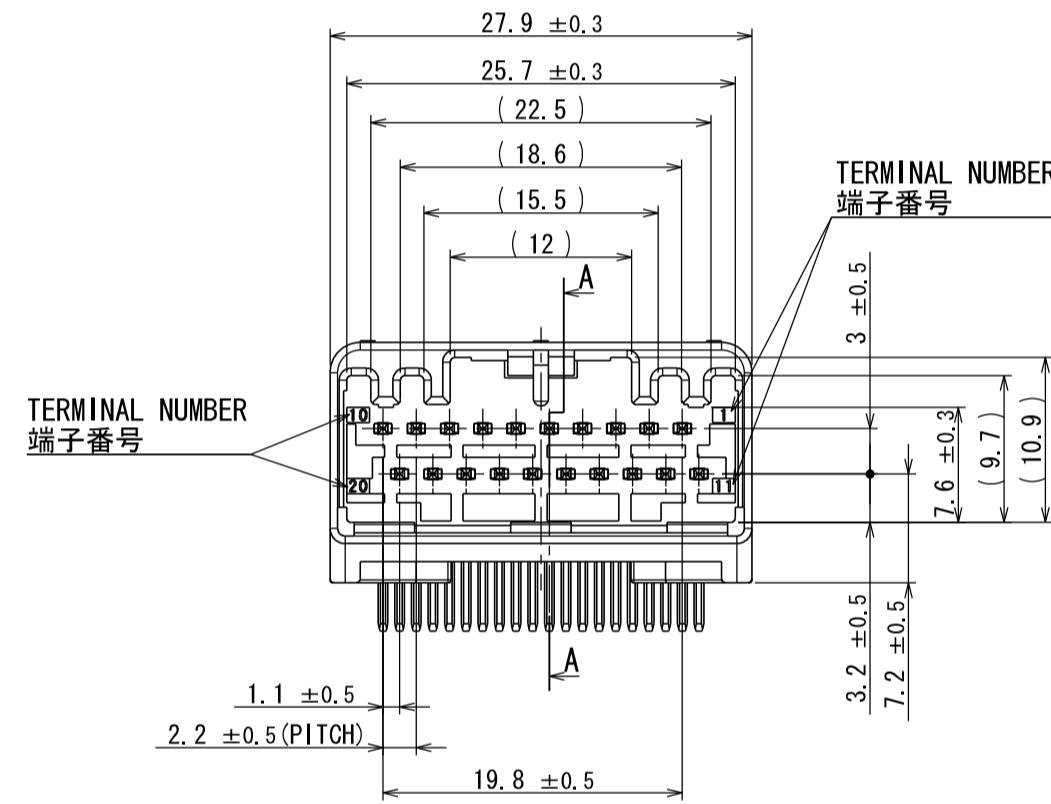
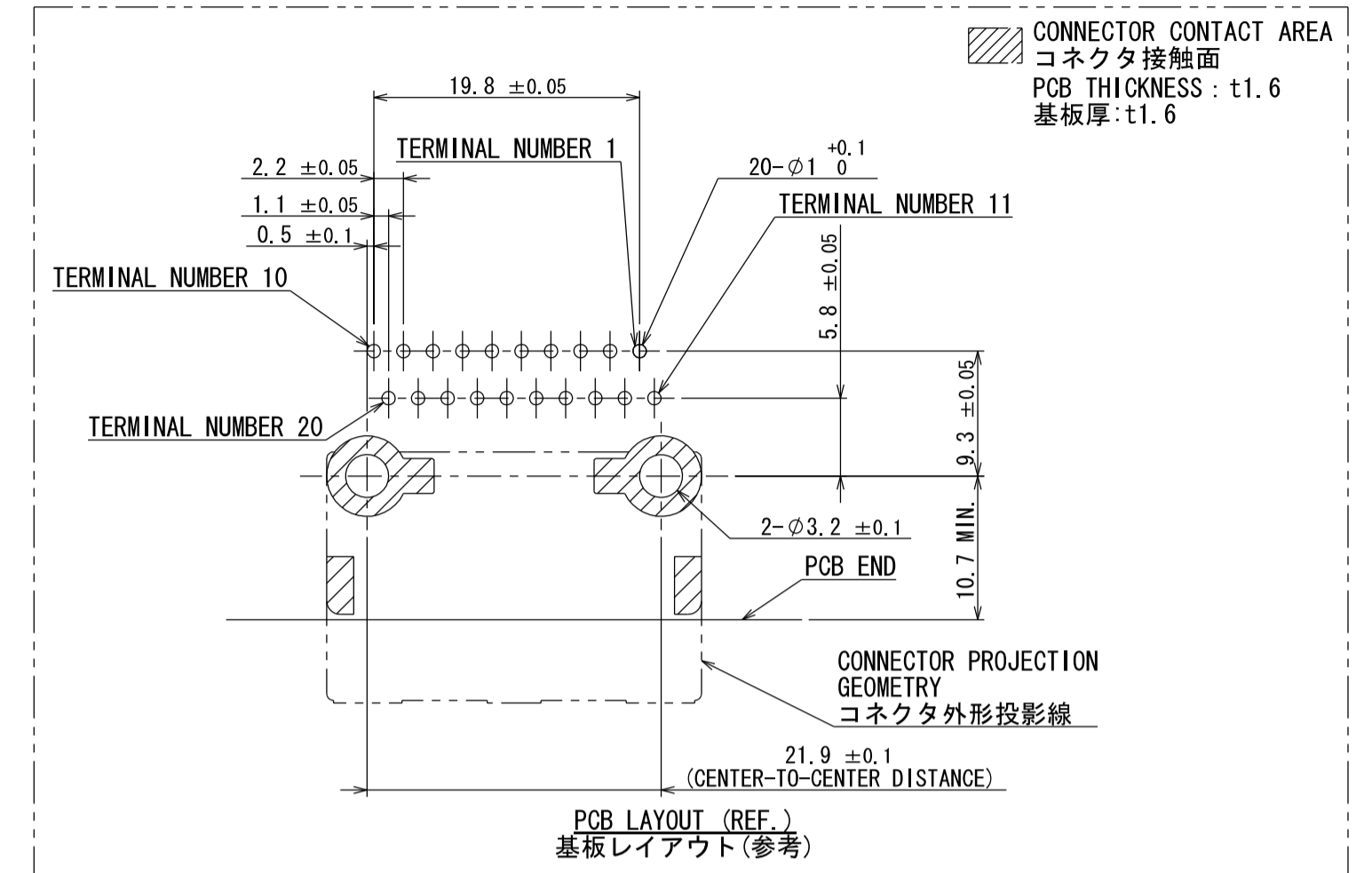
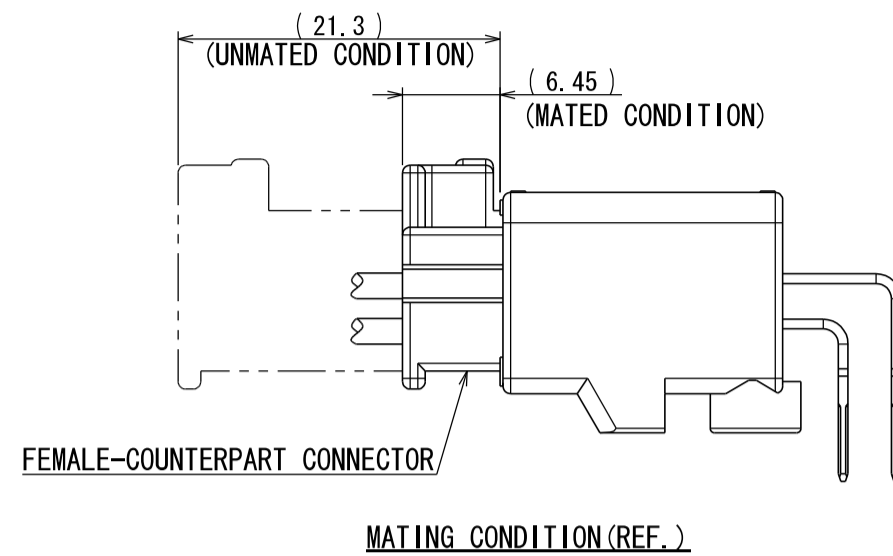
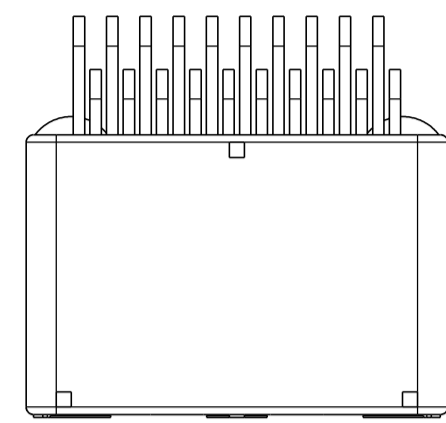
Tel: +86-755-8981 8866 Fax: +86-755-8427 6832

Email & Skype: info@chipsmall.com Web: www.chipsmall.com

Address: A1208, Overseas Decoration Building, #122 Zhenhua RD., Futian, Shenzhen, China



版数 REV.	年月日 DATE	図番 CN NO.	変更内容 DESCRIPTION	製図 DR.	担当 CHK.	査閲 APPD.	承認 APPD.
3	29/JUN/2012	002873	REDRAWN	T. ENOMOTO	Y. WATANABE	—	A. ONO



NOTE1. FEMALE-COUNTERPART CONNECTOR : MX34020SF1 (SJ038752)
2. APPLICABLE SCREW : JIS B 1122 CROSS RECESSED HEAD TAPPING SCREW M3×6, CLASS 2 (TYPE B)

注1. かん合相手メスコネクタ : MX34020SF1 (SJ038752)
2. 推奨取付ネジ JIS B 1122 十字穴付なベタッピンネジ 2種 M3×6

3	TERMINAL-L2	10	BRASS	PLATING: Sn	MATERIAL-PLATING
2	TERMINAL-L1	10	BRASS	PLATING: Sn	MATERIAL-PLATING
1	HOUSING	1	SPS-GF30	COLOR: GRAY	MATERIAL-PLATING

符号 NO.	名称 DESCRIPTION	個数 QTY.	材料 MATERIAL	仕上 FINISH	備考 REMARKS
仕様書 (SPECIFICATION)	JACS-1754 JAH1-1754	第1版 (ORIGINAL DATE)	26/JUN/2003	尺度 (SCALE)	2:1
一般公差 (GENERAL TOLERANCE)	寸法 (DIMENSION)	角度 (ANGLES)	製造 DR.	シリアル (SERIES)	MX34
. ±0.8	×° ±	×° ±	担当 CHK.	名称 (TITLE)	MX34020NF1
. × ±0.4	×°' ±	×°' ±	査閲 APPD.	—	—
. × × ±0.1	—	—	承認 APPD.	T. TOTANI	—
. × × × ±	—	—	—	—	—
質量 (MASS)	5.6g	—	—	—	—



図面番号 (DRAWING NO.)
SJ038751

