



Chipsmall Limited consists of a professional team with an average of over 10 year of expertise in the distribution of electronic components. Based in Hongkong, we have already established firm and mutual-benefit business relationships with customers from,Europe,America and south Asia,supplying obsolete and hard-to-find components to meet their specific needs.

With the principle of "Quality Parts,Customers Priority,Honest Operation,and Considerate Service",our business mainly focus on the distribution of electronic components. Line cards we deal with include Microchip,ALPS,ROHM,Xilinx,Pulse,ON,Everlight and Freescale. Main products comprise IC,Modules,Potentiometer,IC Socket,Relay,Connector.Our parts cover such applications as commercial,industrial, and automotives areas.

We are looking forward to setting up business relationship with you and hope to provide you with the best service and solution. Let us make a better world for our industry!



Contact us

Tel: +86-755-8981 8866 Fax: +86-755-8427 6832

Email & Skype: info@chipsmall.com Web: www.chipsmall.com

Address: A1208, Overseas Decoration Building, #122 Zhenhua RD., Futian, Shenzhen, China

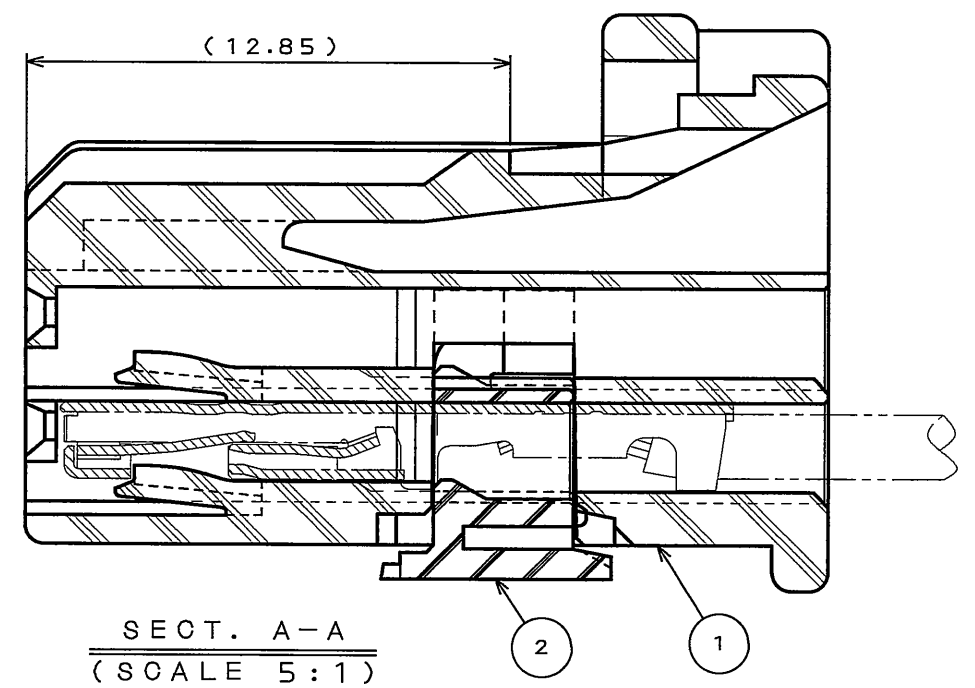
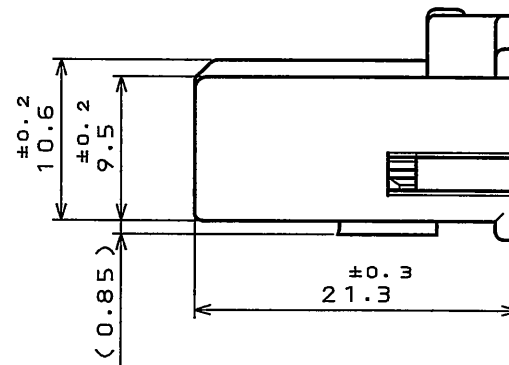
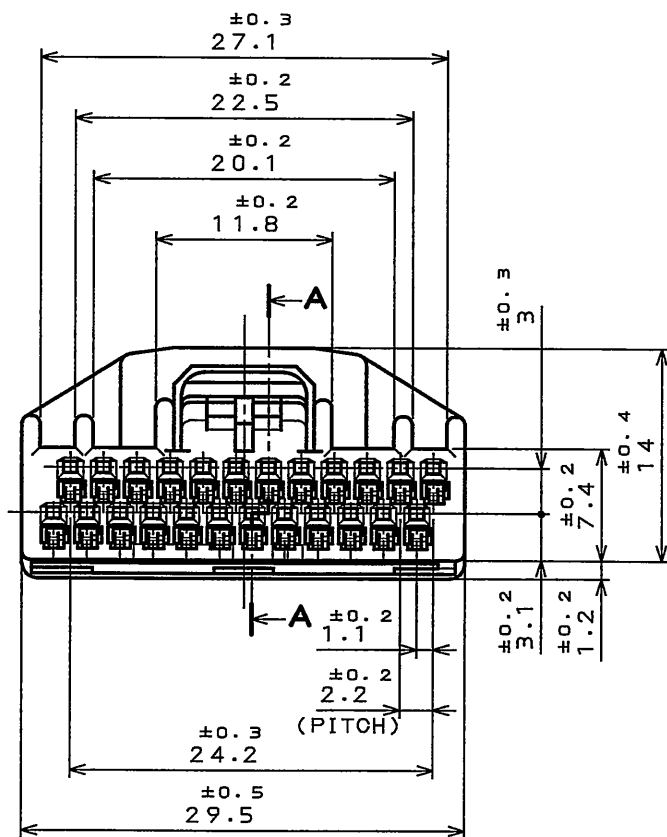
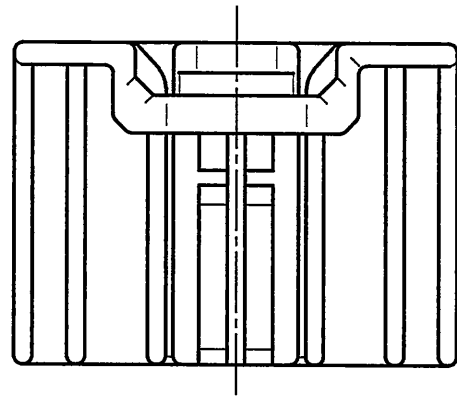


1Z2001PS
(ON θIMVAD) 台架理図

| 版数 REV. | 年月日 DATE | DCN NO. | 変更内容 DESCRIPTION | 製図 DR. | 担当 CHK. | 査閲 APPD. | 承認 APPD. |
|------------|-------------|---------|--|-----------|------------|-------------|-------------|
| 2 | 30.Sep.2008 | 066411 | DELETE HOUSING COLOR SETTING LIST | | Y.WATANABE | K.MIYAMOTO | T.KUME |
| 3 | 14.Nov.2008 | 066892 | CHANGE OF TERMINAL MATERIALS PLATING LIST | | Y.WATANABE | K.Miyamoto | T.Kume |

△△ TABLE1: TERMINAL MATERIALS AND PLATING LIST (端子材料・メッキ設定コード表)

| CODE | PART TITLE | SJ No. | MATERIALS | PLATING | APPLICABLE WIRE |
|------|------------|--------|-----------------------------------|----------------------|--|
| S | M34S7504F1 | 038527 | HIGH CONDUCTIVITY COPPER ALLOY | TIN PLATING スズめっき | CHFUS 0.22sq. AVSS 0.3sq. CHFUS 0.35sq. ALL CAVITIES CAN BE APPLIED. 全キャビティ対応 |
| M | M34S7504F2 | 038528 | 高導電性銅合金 | | CHFUS 0.5sq. AVSS 0.5sq. CAVS 0.5sq. CHFS 0.75sq. CHFUS 0.75sq. ALL CAVITIES CAN BE APPLIED. 全キャビティ対応 |
| C | M34S7504F3 | 038747 | | | CAN SD 0.35sq. FOUR BOTH ENDS CAVITIES CAN BE APPLIED. 両端4箇所のキャビティ対応 |
| L | M34S7504F4 | 038893 | | | AVSS 0.85sq. CAVS 0.85sq. FOUR BOTH ENDS CAVITIES CAN BE APPLIED. 両端4箇所のキャビティ対応 |
| X | M34S7504F5 | 109336 | | | CHFUS 0.13sq. ALL CAVITIES CAN BE APPLIED. 全キャビティ対応 |



| 2 | RETAINER | 1 | PPE+PA66(ALLOY) | | COLOR:BLACK |
|------------------------------|-------------------|---------------------|-----------------|--------------------|---------------|
| 1 | HOUSING | 1 | PPE+PA66(ALLOY) | | COLOR:GRAY |
| 符号 NO. | 名称 DESCRIPTION | 個数 QTY. | 材料 MATERIAL | 仕上 FINISH | 備考 REMARKS |
| 仕様書 (SPECIFICATION) | | 第1版 (ORIGINAL DATE) | | 尺度 (SCALE) | シリーズ (SERIES) |
| JACS-1754 △ J AHL-1754 | | 18.Nov.2003 | | 2:1 | MX34 |
| 公差 (GENERAL TOLERANCE) | | 製図 DR. | | 名称 (TITLE) | |
| 寸法 (DIMENSION) 角度 (ANGLES) | | J. ICHIYAMA | | MX34024SF1 | |
| . ±0.8 ° ± | | 担当 CHK. | | 質量 (MASS) | |
| .X ±0.4 °X ± | | 査閲 APPD. | | 3.6g | |
| .XX ±0.1 °XX ± | | 承認 APPD. | | T.TOTANI | |
| .XXX ± | | | | 図面番号 (DRAWING NO.) | |
| | | | | SJ100271 | |

DOF-0-212F(05.08)

