



Chipsmall Limited consists of a professional team with an average of over 10 year of expertise in the distribution of electronic components. Based in Hongkong, we have already established firm and mutual-benefit business relationships with customers from,Europe,America and south Asia,supplying obsolete and hard-to-find components to meet their specific needs.

With the principle of “Quality Parts,Customers Priority,Honest Operation,and Considerate Service”,our business mainly focus on the distribution of electronic components. Line cards we deal with include Microchip,ALPS,ROHM,Xilinx,Pulse,ON,Everlight and Freescale. Main products comprise IC,Modules,Potentiometer,IC Socket,Relay,Connector.Our parts cover such applications as commercial,industrial, and automotives areas.

We are looking forward to setting up business relationship with you and hope to provide you with the best service and solution. Let us make a better world for our industry!



Contact us

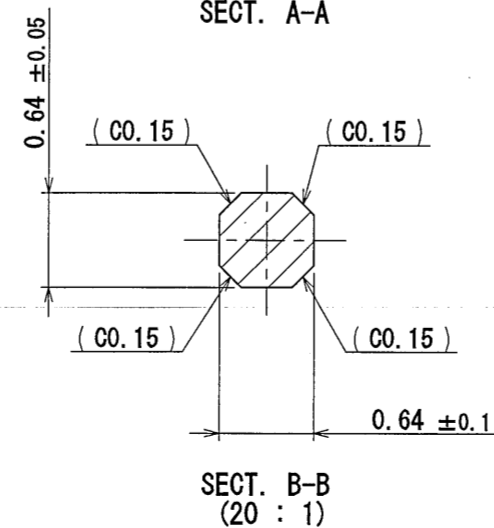
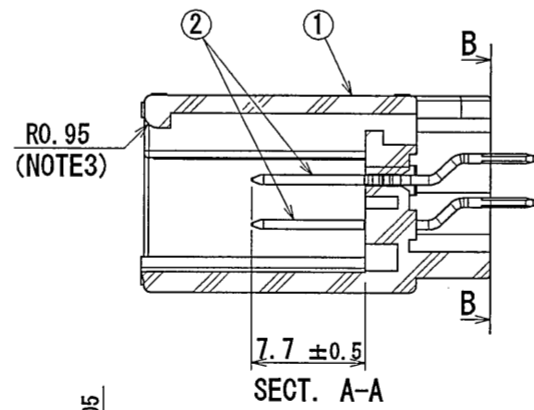
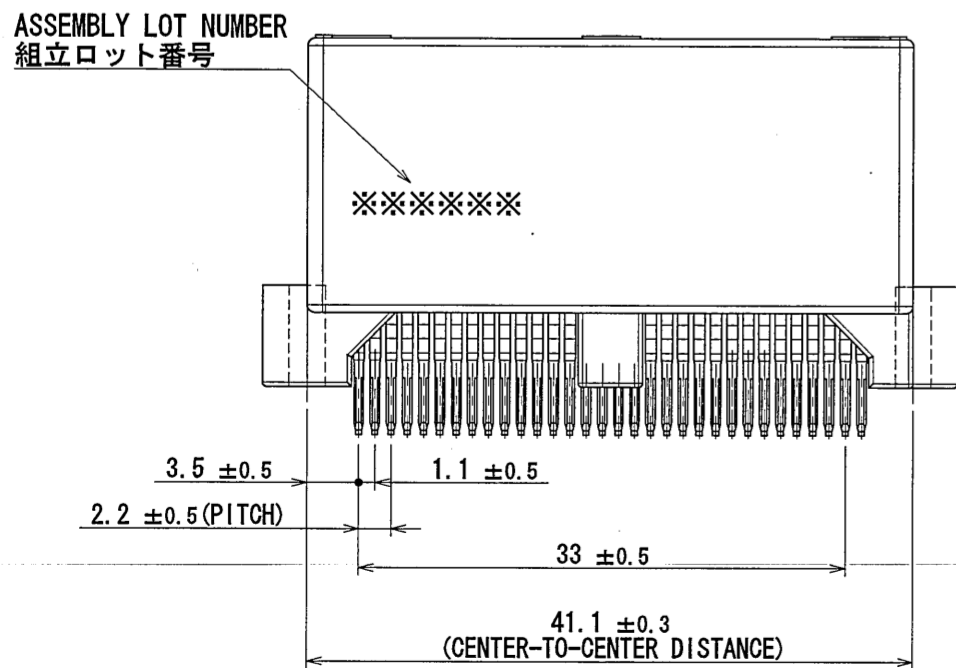
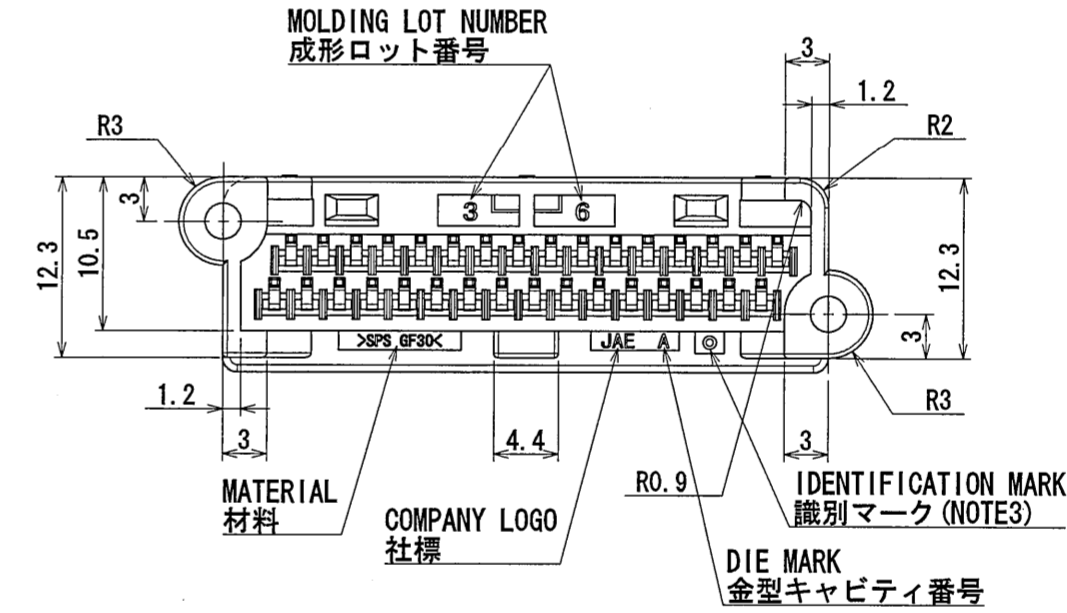
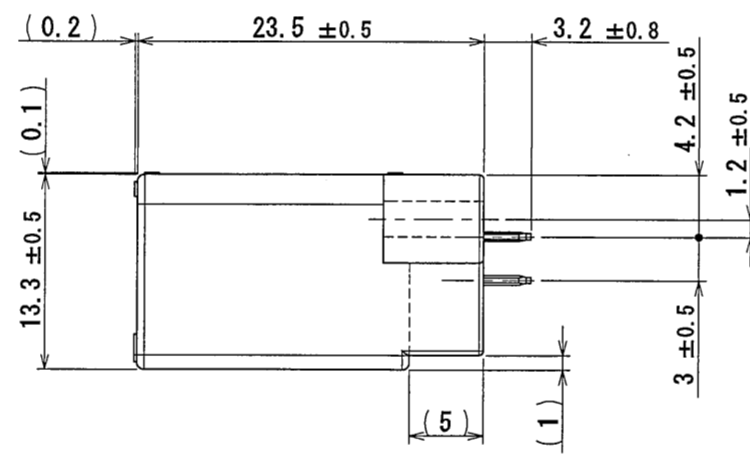
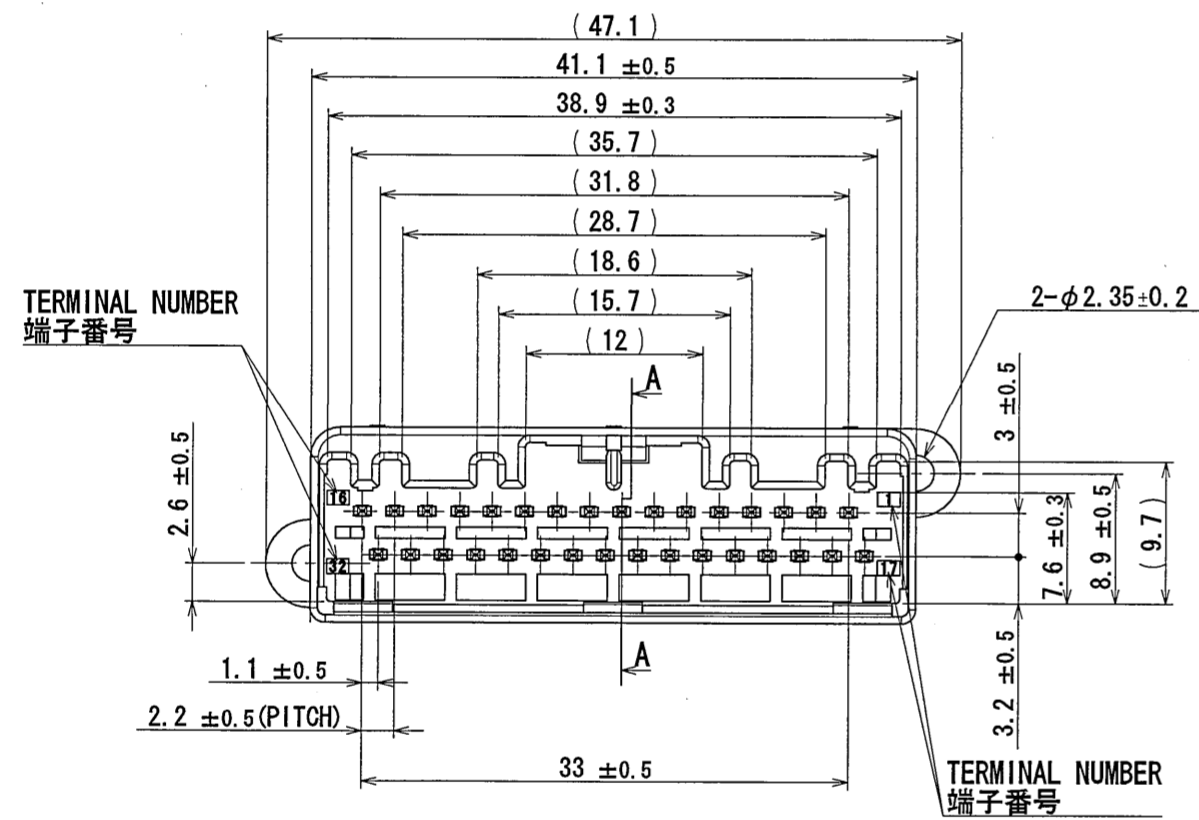
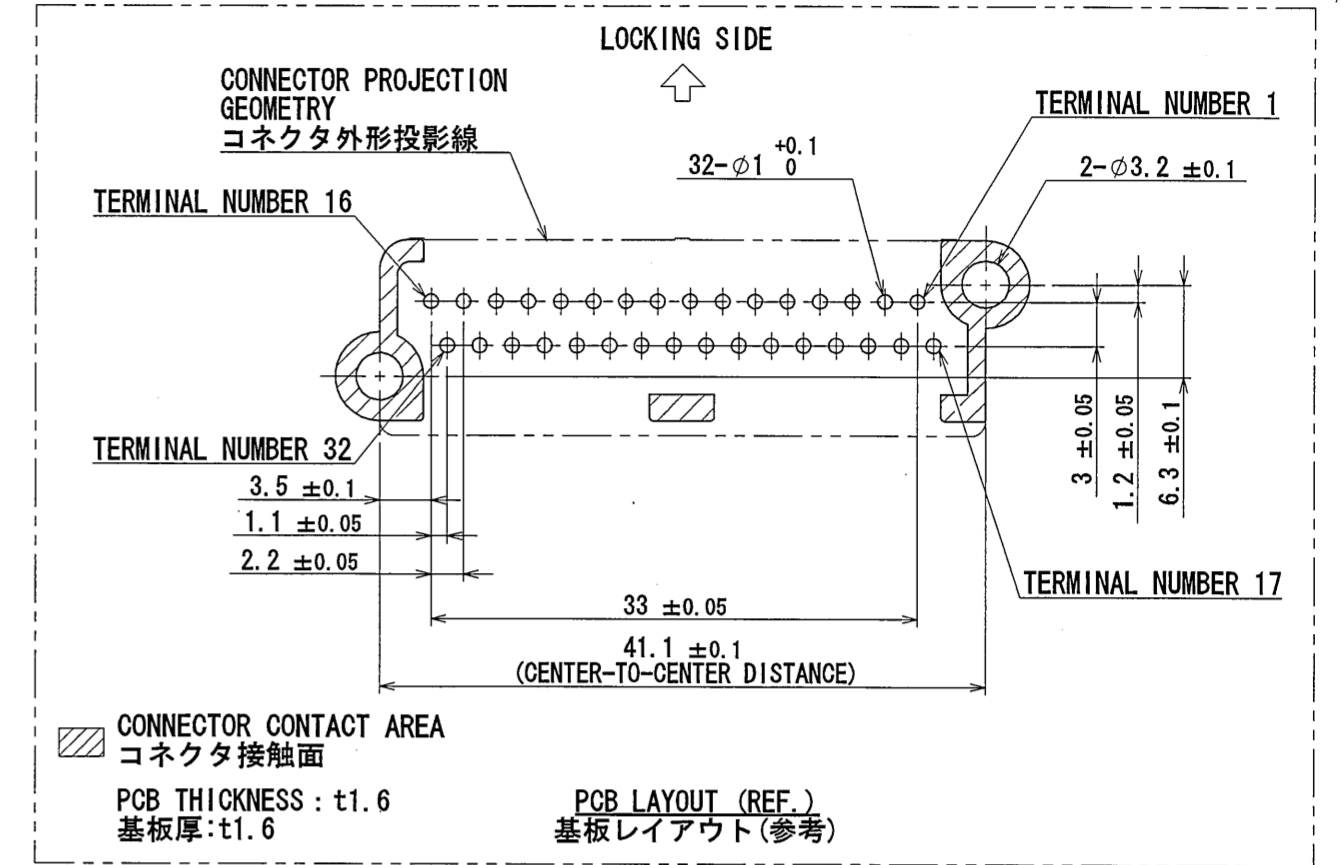
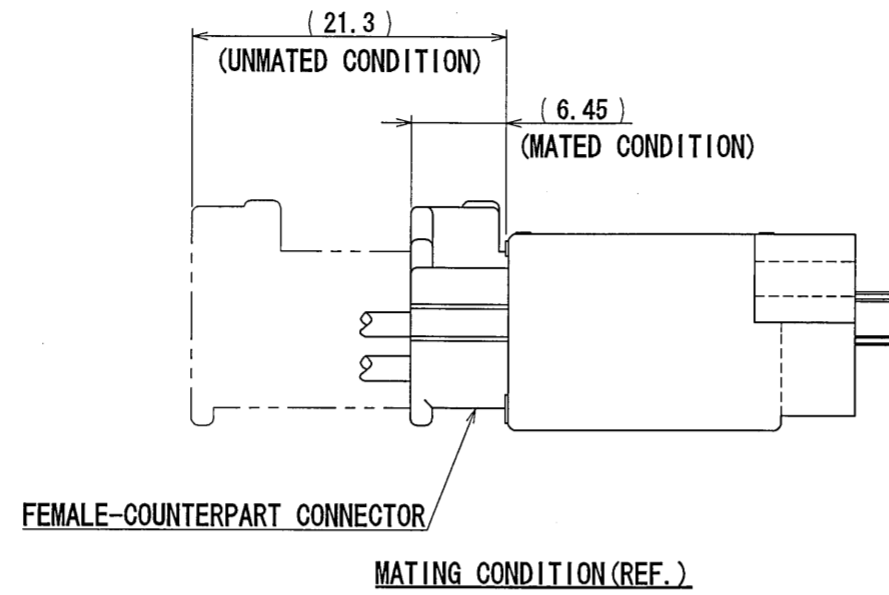
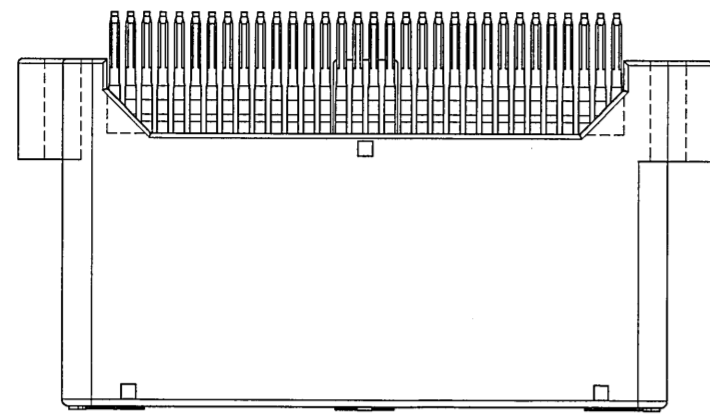
Tel: +86-755-8981 8866 Fax: +86-755-8427 6832

Email & Skype: info@chipsmall.com Web: www.chipsmall.com

Address: A1208, Overseas Decoration Building, #122 Zhenhua RD., Futian, Shenzhen, China



版数 REV.	年月日 DATE	図番 DCN NO.	変更内容 DESCRIPTION	製図 DR.	担当 CHK.	承認 APPD.	承認 APPD.
2	3/Sep/2010	070377	REDRAWN	S. MUKAE	Y. WATANABE	K. Miyamoto	T. Hume



- NOTE1. FEMALE-COUNTERPART CONNECTOR : MX34032SF1 (SJ038756)
 2. APPLICABLE SCREW : JIS B 1122 CROSS RECESSED HEAD TAPPING SCREW M3×6, CLASS 2 (TYPE B)
 3. THE DIFFERENCE BETWEEN THIS ITEM AND MX34032UF1 (SJ038767) IS THE LOCK FORM AND IDENTIFICATION MARK.

- 注 1. かん合相手メスコネクタ : MX34032SF1 (SJ038756)
 2. 推奨取付ネジ JIS B 1122 十字穴付なベタツピンネジ 2種 M3×6
 3. 本品は、MX34032UF1 (SJ038767) とロック部形状及び識別マークのある点異なる。

2	TERMINAL	32	BRASS	PLATING: Sn	MATERIAL-PLATING
1	HOUSING	1	SPS-GF30		COLOR: GRAY
符号 NO.	名称 DESCRIPTION	個数 QTY.	材料 MATERIAL	仕上 FINISH	備 考 REMARKS
仕様書 (SPECIFICATION) JACS-1754 JABL-1754		第1版 (ORIGINAL DATE) 28/Mar/2006		尺度 (SCALE) 2:1	
一般公差 (GENERAL TOLERANCE)		製図 DR.		シリーズ (SERIES) MX34	
寸法 (DIMENSION)		担当 CHK.		名称 (TITLE) MX34032UF2	
角度 (ANGLES)		承認 APPD.		図面番号 (DRAWING NO.) SJ106313	
. × ±0.8		. × × ±0.4		重量 (MASS) 7.6g	
. × × ±0.1		. × × ±		承認 APPD. T. ISHIWA	
				図面番号 (DRAWING NO.) SJ106313	
				版数 (REV.) 2	