



Chipsmall Limited consists of a professional team with an average of over 10 year of expertise in the distribution of electronic components. Based in Hongkong, we have already established firm and mutual-benefit business relationships with customers from,Europe,America and south Asia,supplying obsolete and hard-to-find components to meet their specific needs.

With the principle of "Quality Parts,Customers Priority,Honest Operation,and Considerate Service",our business mainly focus on the distribution of electronic components. Line cards we deal with include Microchip,ALPS,ROHM,Xilinx,Pulse,ON,Everlight and Freescale. Main products comprise IC,Modules,Potentiometer,IC Socket,Relay,Connector.Our parts cover such applications as commercial,industrial, and automotives areas.

We are looking forward to setting up business relationship with you and hope to provide you with the best service and solution. Let us make a better world for our industry!



Contact us

Tel: +86-755-8981 8866 Fax: +86-755-8427 6832

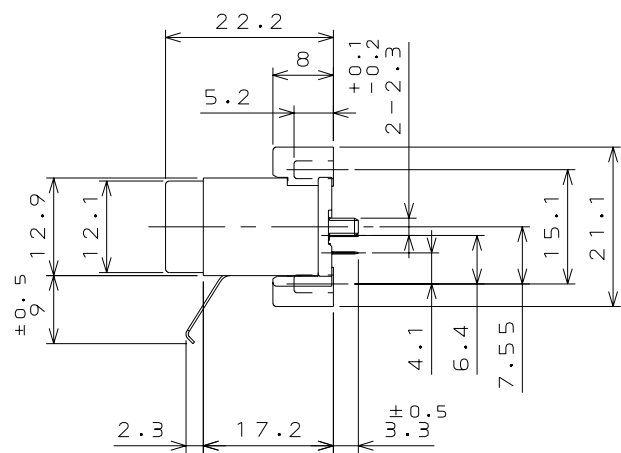
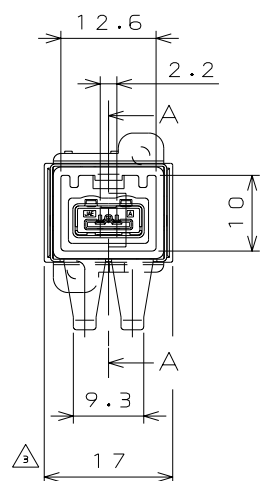
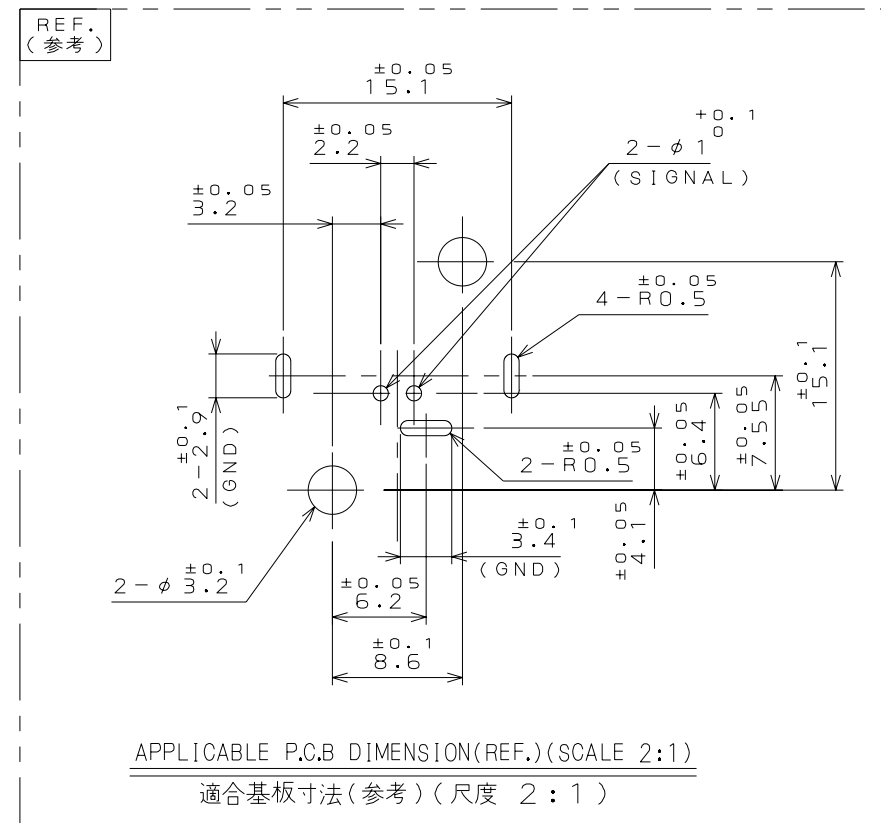
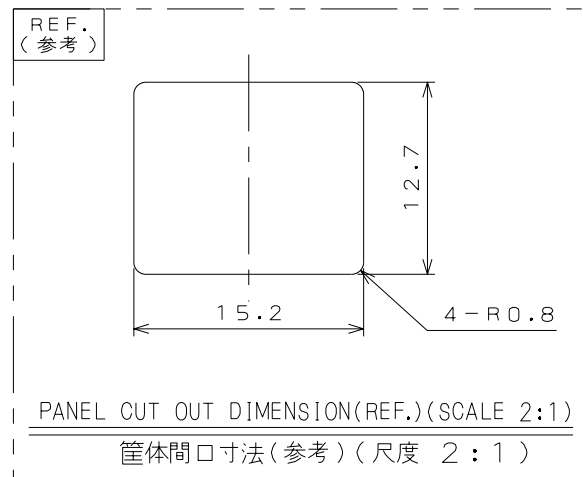
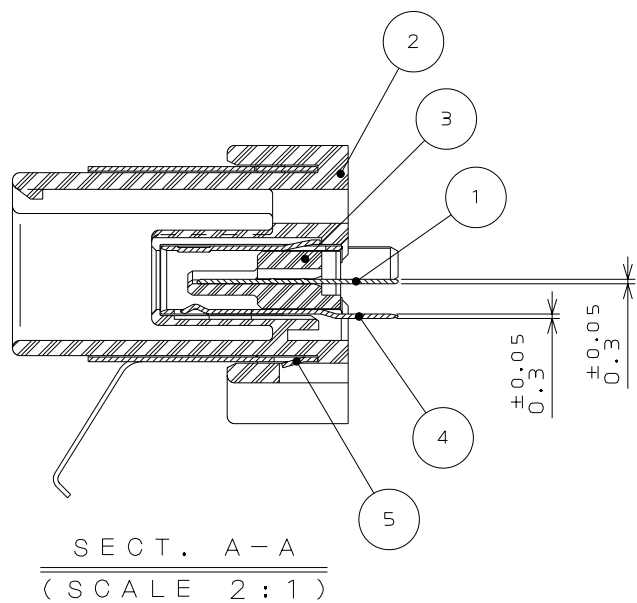
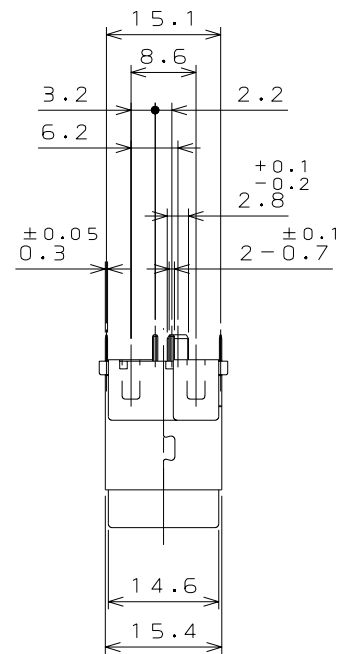
Email & Skype: info@chipsmall.com Web: www.chipsmall.com

Address: A1208, Overseas Decoration Building, #122 Zhenhua RD., Futian, Shenzhen, China

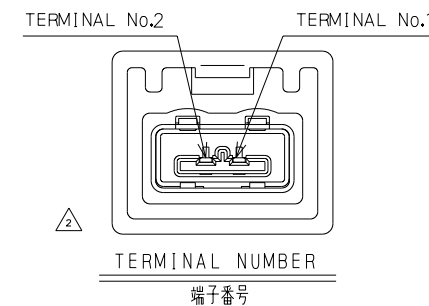


291101RS
('ON 9NIMVHD) 台機理図

版数 REV.	年月日 DATE	DCN NO.	変更内容 DESCRIPTION	製図 DR.	担当 CHK.	査閲 APPD.	承認 APPD.
2	28.Feb.2005	056815	ADDED NOTE 4	—	N.OGAWA	—	T.OKA
3	19.May.2005	057355	ADDED DIMENSIONS	—	N.OGAWA	—	T.OKA



- NOTE 1. RECOMMENDED SCREW IS JIS B 1122 M3 TAPPING SCREW 2GRADE. 6mm LENGTH.
 2. APPLICABLE PRINTED CIRCUIT BOARD:THICKNESS 1.6mm.
 3. RECOMMENDED PANEL POSITION IN CONNECT PANEL AND CONNECTOR SHELL AS GROUND.
 (DISTANCE BETWEEN P.C.B TO PANEL) : 17.7±0.5mm
 △ 4. TERMINAL NUMBER OF THE CONNECTOR IS SHOWN IN RIGHT FIGURE.
 注1. 推奨取り付けネジ: JIS B 1122 M3×6 タッピンナベネジ 2種.
 2. 適用プリント基板: 板厚 1.6mm.
 3. 筐体にグラウンド接続する場合の筐体推奨位置(基板上面から筐体内面までの距離): 17.7±0.5mm
 △ 4. コネクタの端子番号は右図による。



5	SHELL	1	COPPER ALLOY	TIN PLATING	—
4	GND TERMINAL	1	COPPER ALLOY	TIN PLATING	—
3	HOUSING B	1	30%GF SPS	—	COLOR:BLACK
2	HOUSING A	1	30%GF SPS	—	COLOR:LIGHT BLUE
1	TERMINAL	2	BRASS	SELECTIVE GOLD PLATING SELECTIVE TIN PLATING	—
符号 NO.	名称 DESCRIPTION	個数 QTY.	材料 MATERIAL	仕上 FINISH	備考 REMARKS

REFERENCE ONLY
JAE

特別管理品目
SPECIAL CONTROL ITEM
MX(AUTO)

仕様書 (SPECIFICATION)		第1版 (ORIGINAL DATE) 30.Sep.2004		尺度 (SCALE) 1:1	シリーズ (SERIES) MX38	日本航空電子工業株式会社 JAPAN AVIATION ELECTRONICS INDUSTRY, LTD.
一般公差 (GENERAL TOLERANCE)		製図 DR.	—	名称 (TITLE) MX38002UQ1		
寸法 (DIMENSION)		担当 CHK.	H.ITAKURA	質量 (MASS)		図面番号 (DRAWING NO.) SJ101167
角度 (ANGLES)		査閲 APPD.	—	承認 APPD.		
. ±0.3		承認 APPD.		承認 APPD.		版数 (REV.) 3
.X ±0.3		承認 APPD.		承認 APPD.		
.XX ±0.3		承認 APPD.		承認 APPD.		
.XXX ±		承認 APPD.		承認 APPD.		