



Chipsmall Limited consists of a professional team with an average of over 10 year of expertise in the distribution of electronic components. Based in Hongkong, we have already established firm and mutual-benefit business relationships with customers from,Europe,America and south Asia,supplying obsolete and hard-to-find components to meet their specific needs.

With the principle of "Quality Parts,Customers Priority,Honest Operation,and Considerate Service",our business mainly focus on the distribution of electronic components. Line cards we deal with include Microchip,ALPS,ROHM,Xilinx,Pulse,ON,Everlight and Freescale. Main products comprise IC,Modules,Potentiometer,IC Socket,Relay,Connector.Our parts cover such applications as commercial,industrial, and automotives areas.

We are looking forward to setting up business relationship with you and hope to provide you with the best service and solution. Let us make a better world for our industry!



Contact us

Tel: +86-755-8981 8866 Fax: +86-755-8427 6832

Email & Skype: info@chipsmall.com Web: www.chipsmall.com

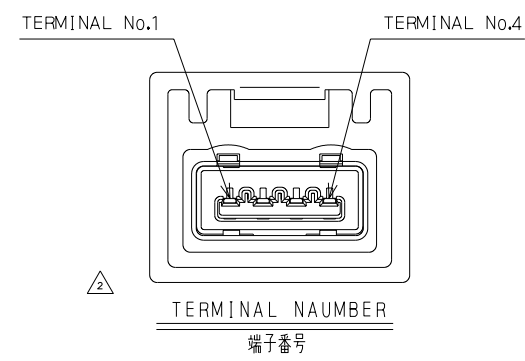
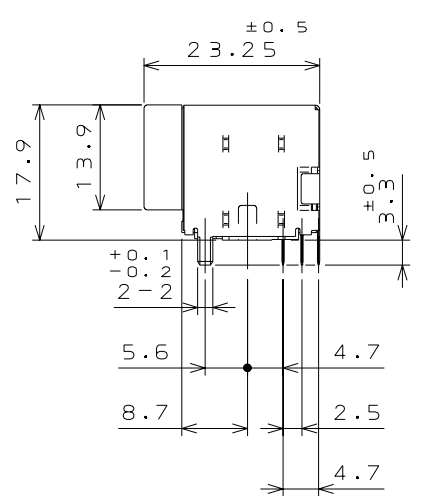
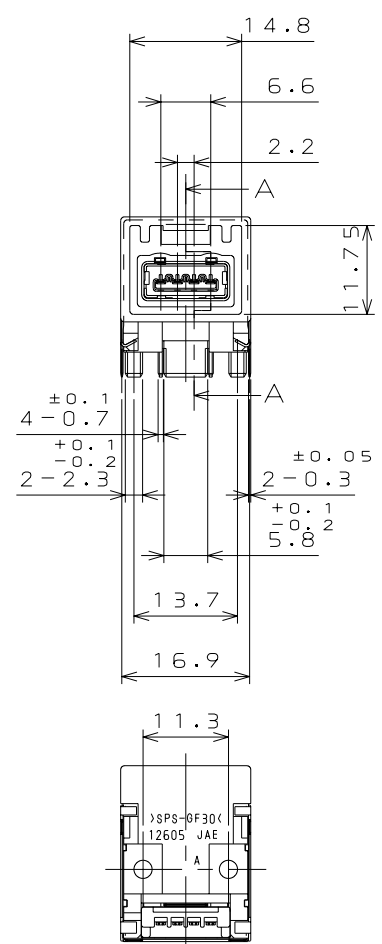
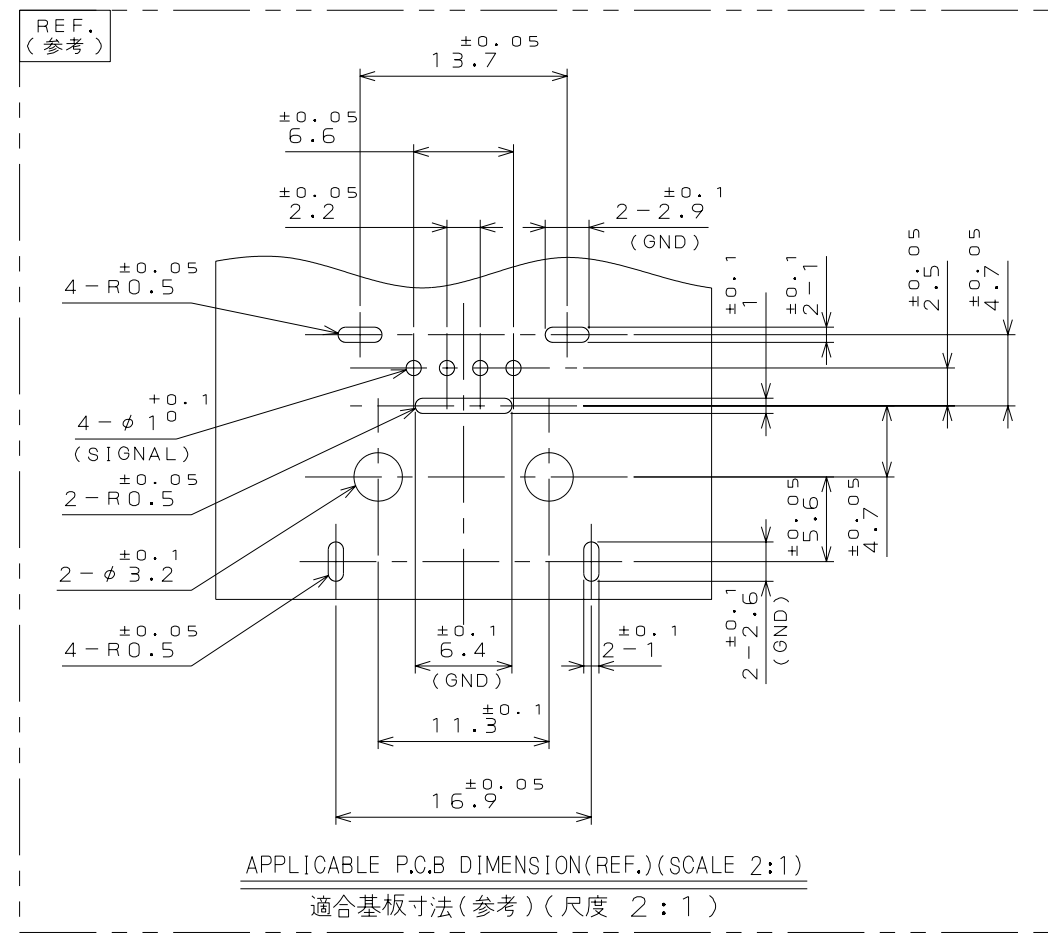
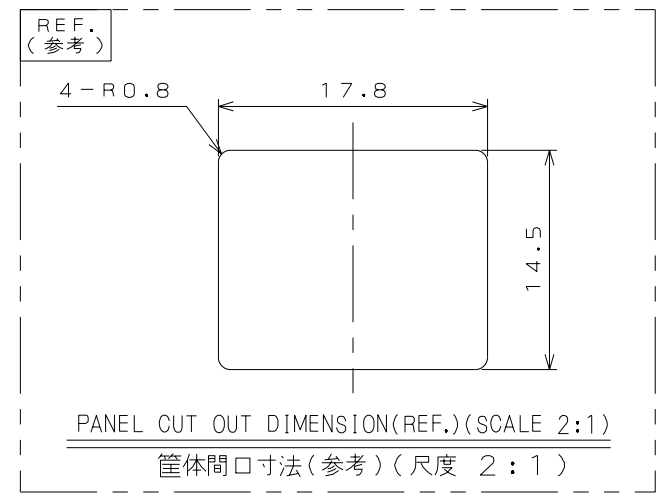
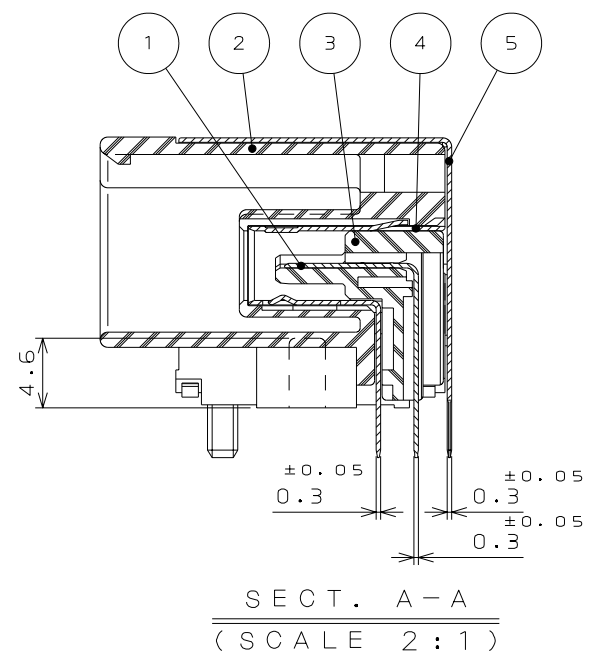
Address: A1208, Overseas Decoration Building, #122 Zhenhua RD., Futian, Shenzhen, China



99Z101RS
('ON ΘNIMVHD) 台 機 理 図

REFERENCE ONLY
JAE

版数 REV.	年月日 DATE	DCN NO.	変更内容 DESCRIPTION	製図 DR.	担当 CHK.	査閲 APPD.	承認 APPD.
2	28.Feb.2005	056817	ADDED NOTE 3		N.OGAWA		T.OKA



- NOTE 1. RECOMMENDED SCREW IS JIS B 1122 M3 TAPPING SCREW 2GRADE. 6mm LENGTH.
2. APPLICABLE PRINTED CIRCUIT BOARD:THICKNESS 1.6mm.
3. TERMINAL NUMBER OF THE CONNECTOR IS SHOWN IN LEFT FIGURE.
- 注1. 推奨取り付ネジ: JIS B 1122 M3×6 タッピンナベネジ 2種。
2. 適用プリント基板: 板厚 1.6mm。
3. コネクタの端子番号は左図による。

符号 NO.	名称 DESCRIPTION	個数 QTY.	材料 MATERIAL	仕上 FINISH	備考 REMARKS
5	SHELL	1	BRASS	TIN PLATING	
4	GND SHELL	1	COPPER ALLOY	TIN PLATING	
3	HOUSING B	1	30%GF SPS		COLOR:BLACK
2	HOUSING A	1	30%GF SPS		COLOR:GRAY
1	TERMINAL	4	BRASS	SELECTIVE GOLD PLATING SELECTIVE TIN PLATING	

特別管理品目
SPECIAL CONTROL ITEM
MX(AUTO)

仕様書 (SPECIFICATION)	第1版 (ORIGINAL DATE) 7.Oct.2004	尺度 (SCALE) 1:1	シリーズ (SERIES) MX39	日本航空電子工業株式会社 JAPAN AVIATION ELECTRONICS INDUSTRY, LTD. JAE	図面番号 (DRAWING NO.) SJ101266	版数 (REV.) 2
一般公差 (GENERAL TOLERANCE)	製図 DR.	名称 (TITLE) MX39004NQ1				
寸法 (DIMENSION)	担当 CHK. N.OGAWA					
角度 (ANGLES)	査閲 APPD.					
・ ±0.3	承認 APPD. T.OKA	質量 (MASS)				
・ × ±0.3						
・ ×× ±0.3						
・ ××× ±						

DCF-C-212E(03.08)

