



Chipsmall Limited consists of a professional team with an average of over 10 year of expertise in the distribution of electronic components. Based in Hongkong, we have already established firm and mutual-benefit business relationships with customers from,Europe,America and south Asia,supplying obsolete and hard-to-find components to meet their specific needs.

With the principle of “Quality Parts,Customers Priority,Honest Operation,and Considerate Service”,our business mainly focus on the distribution of electronic components. Line cards we deal with include Microchip,ALPS,ROHM,Xilinx,Pulse,ON,Everlight and Freescale. Main products comprise IC,Modules,Potentiometer,IC Socket,Relay,Connector.Our parts cover such applications as commercial,industrial, and automotives areas.

We are looking forward to setting up business relationship with you and hope to provide you with the best service and solution. Let us make a better world for our industry!



Contact us

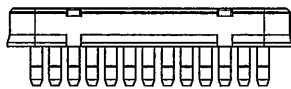
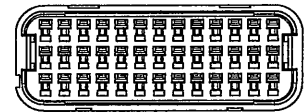
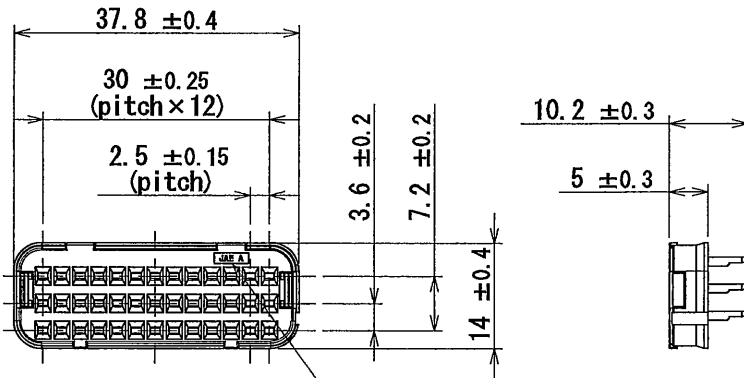
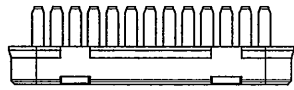
Tel: +86-755-8981 8866 Fax: +86-755-8427 6832

Email & Skype: info@chipsmall.com Web: www.chipsmall.com


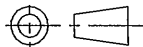
Address: A1208, Overseas Decoration Building, #122 Zhenhua RD., Futian, Shenzhen, China



版数 REV.	年月日 DATE	DCN NO.	変更内容 DESCRIPTION	製図 DR.	担当 CHK.	査閲 APPD.	承認 APPD.
------------	-------------	---------	---------------------	-----------	------------	-------------	-------------



社標、キャビマーク (A, B, C . . . 順) を刻印
 Raised company log and cavity mark.
 Cavity mark appears in alphabetical order.

1	MX47039XF1	1	30%GF PBT	COLOR: BLUE	
符号 NO.	名称 DESCRIPTION	個数 QTY.	材料 MATERIAL	仕上 FINISH	備考 REMARKS
仕様書 (SPECIFICATION) JAHL-10621 JACS-10621		第1版 (ORIGINAL DATE) 08/OCT/2009		名称 (TITLE) MX47039XF1 (FRONT CAP)	
一般公差 (GENERAL TOLERANCE)		製図 DR.		日本航空電子工業株式会社  JAPAN AVIATION ELECTRONICS INDUSTRY, LTD.	
寸法 (DIMENSION)		担当 CHK. A. KIMURA			
角度 (ANGLES)		査閲 APPD. —			
		承認 APPD. <i>N. Omi</i>			
± 0.8	×° ±			シリーズ (SERIES) MX47	尺度 (SCALE) 1:1
± 0.4	××' ±			図面番号 (DRAWING NO.) SJ109558	
± 0.1	××× ±			版数 (REV.) 1	
±					

DCF-C-211F (05.08)

S/W