



Chipsmall Limited consists of a professional team with an average of over 10 year of expertise in the distribution of electronic components. Based in Hongkong, we have already established firm and mutual-benefit business relationships with customers from,Europe,America and south Asia,supplying obsolete and hard-to-find components to meet their specific needs.

With the principle of “Quality Parts,Customers Priority,Honest Operation,and Considerate Service”,our business mainly focus on the distribution of electronic components. Line cards we deal with include Microchip,ALPS,ROHM,Xilinx,Pulse,ON,Everlight and Freescale. Main products comprise IC,Modules,Potentiometer,IC Socket,Relay,Connector.Our parts cover such applications as commercial,industrial, and automotives areas.

We are looking forward to setting up business relationship with you and hope to provide you with the best service and solution. Let us make a better world for our industry!



Contact us

Tel: +86-755-8981 8866 Fax: +86-755-8427 6832

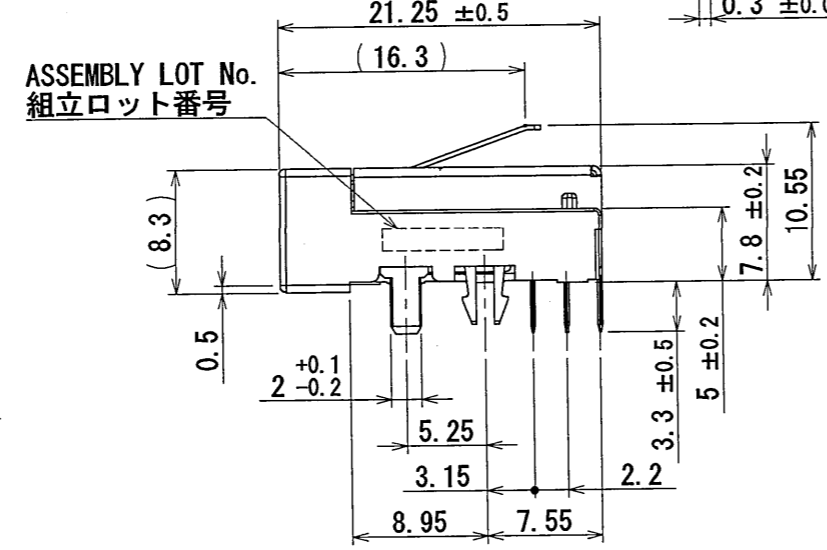
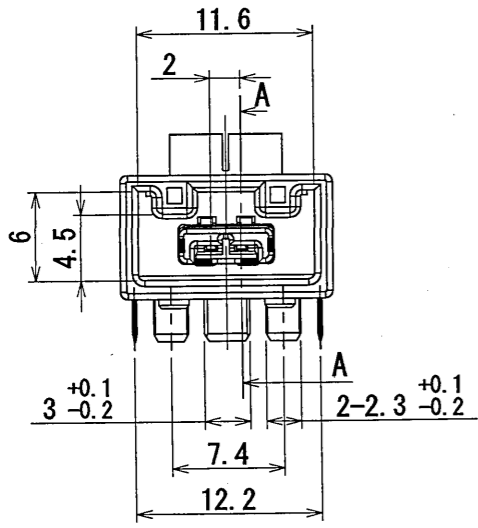
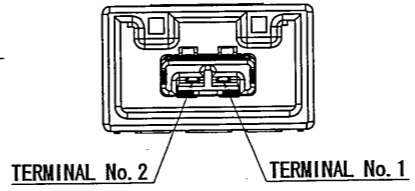
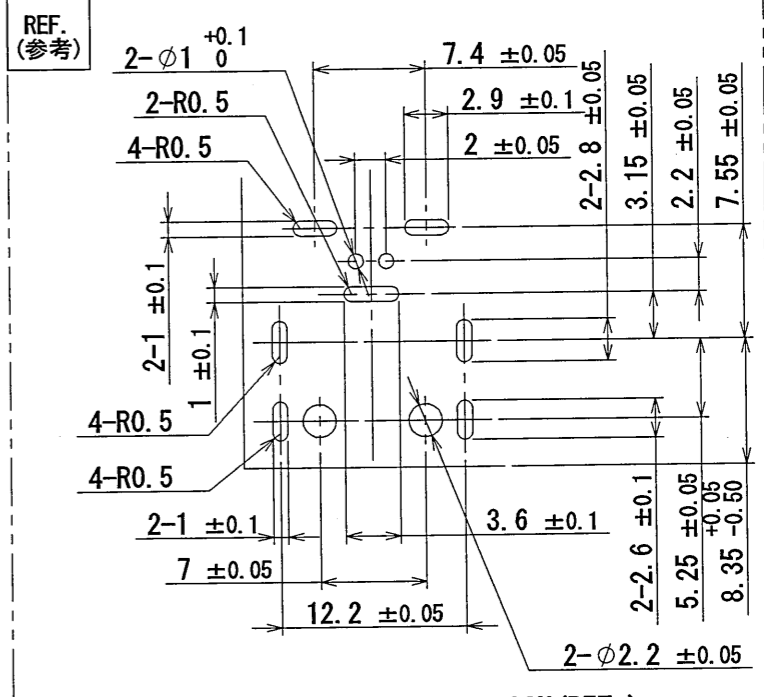
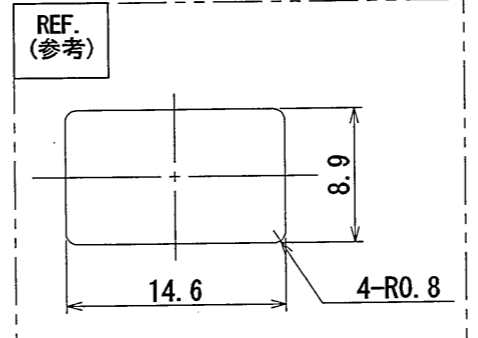
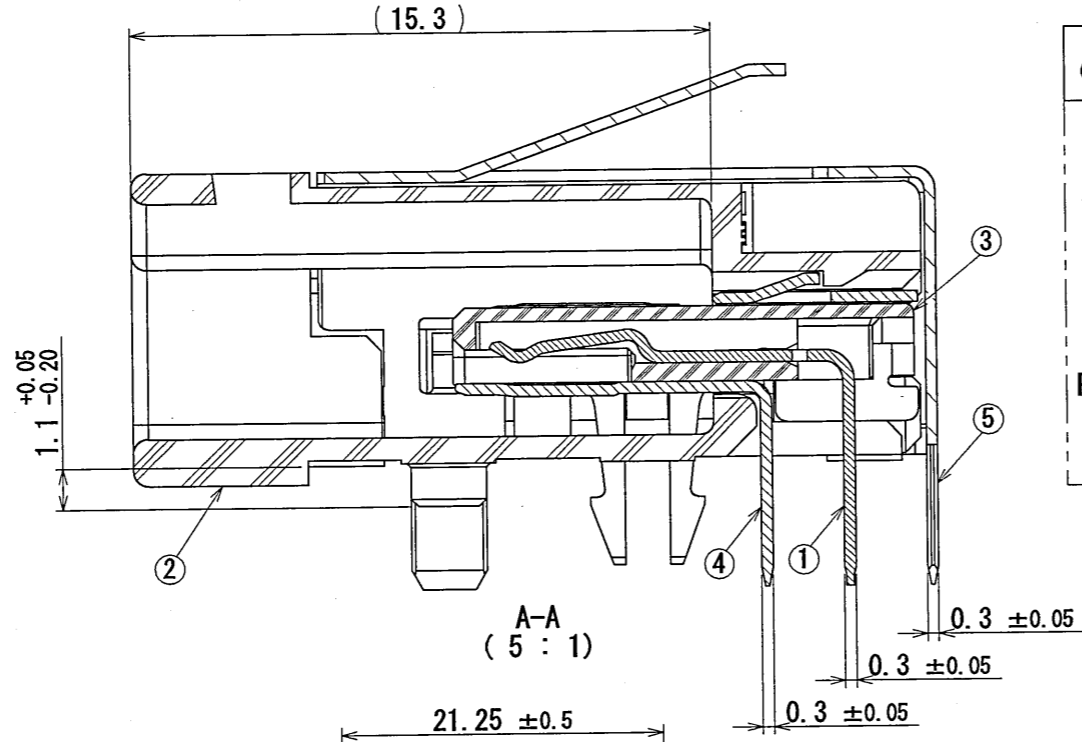
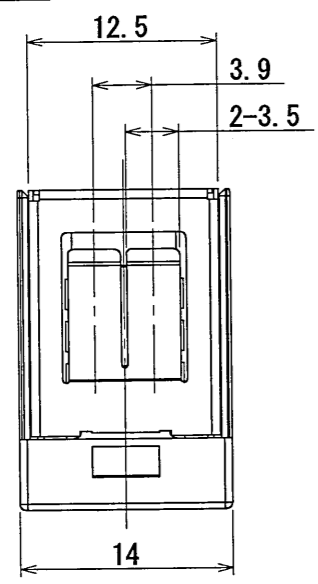
Email & Skype: info@chipsmall.com Web: www.chipsmall.com

Address: A1208, Overseas Decoration Building, #122 Zhenhua RD., Futian, Shenzhen, China

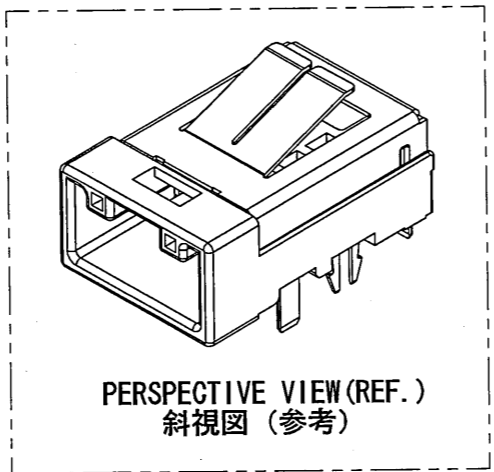
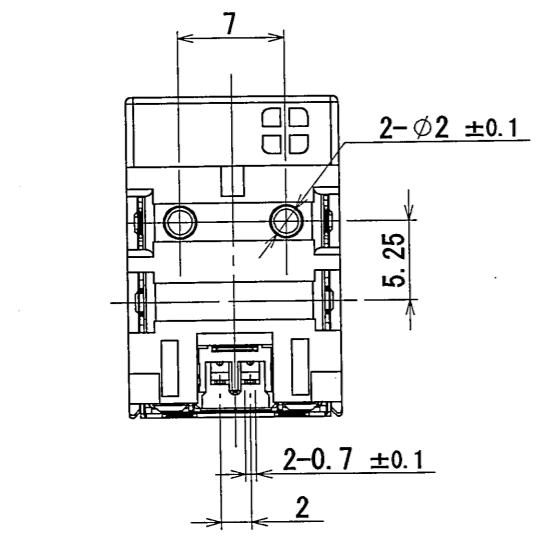


6LZ011CS
(CON DRAWING) 台架図

版数 REV.	年月日 DATE	DCN No.	変更内容 DESCRIPTION	製図 DR.	担当 CHK.	査閲 APPD.	承認 APPD.
---------	----------	---------	------------------	--------	---------	----------	----------



- NOTE 1. APPLICABLE PRINTED CIRCUIT BOARD: THICKNESS 1.6mm.
 2. TERMINAL NUMBER OF THE CONNECTOR IS SHOWN IN ABOVE FIGURE.
 3. RECOMMENDED PANEL POSITION IF CONNECT PANEL AND CONNECTOR SHELL AS GROUND.
 (DISTANCE BETWEEN P.C.B TO PANEL): 8.8±0.2mm
- 注 1. 適用プリント基板: 板厚 1.6mm.
 2. コネクタの端子番号は上図による。
 3. 筐体にグランド接続する場合の筐体推奨位置 (基板上面から筐体内面までの距離): 8.8±0.2mm



特別管理品目
SPECIAL CONTROL ITEM
MX (AUTO)

符号 NO.	名称 DESCRIPTION	個数 QTY.	材料 MATERIAL	仕上 FINISH	備考 REMARKS
5	SHELL	1	COPPER ALLOY	TIN PLATING	
4	GND TERMINAL	1	COPPER ALLOY	TIN PLATING	
3	HOUSING B	1	LCP-GF35		COLOR:NATURAL
2	HOUSING A	1	SPS-GF30		COLOR:LIGHT BLUE
1	TERMINAL	2	COPPER ALLOY	SELECTIVE GOLD PLATING SELECTIVE TIN PLATING	

仕様書 (SPECIFICATION) JACS-10666	第1版 (ORIGINAL DATE) 24/Feb/2010	尺度 (SCALE) 2:1	シリーズ (SERIES) MX48	日本航空電子工業株式会社
一般公差 (GENERAL TOLERANCE) 寸法 (DIMENSION)	角度 (ANGLES)	名称 (TITLE) MX48002NQ1 (キタワ: A 水色)		JAE JAPAN AVIATION ELECTRONICS INDUSTRY, LTD.
±0.3 × ±0.3 ×× ±0.3 ××× ±	×° ± ×°×' ±	質量 (MASS)		
製造 DR. 担当 CHK. S. KITAMURA 査閲 APPD. 承認 APPD.		図面番号 (DRAWING NO.) SJ110279		版数 (REV.) 1

DCF-C-212E (05.08)

