



Chipsmall Limited consists of a professional team with an average of over 10 year of expertise in the distribution of electronic components. Based in Hongkong, we have already established firm and mutual-benefit business relationships with customers from,Europe,America and south Asia,supplying obsolete and hard-to-find components to meet their specific needs.

With the principle of “Quality Parts,Customers Priority,Honest Operation,and Considerate Service”,our business mainly focus on the distribution of electronic components. Line cards we deal with include Microchip,ALPS,ROHM,Xilinx,Pulse,ON,Everlight and Freescale. Main products comprise IC,Modules,Potentiometer,IC Socket,Relay,Connector.Our parts cover such applications as commercial,industrial, and automotives areas.

We are looking forward to setting up business relationship with you and hope to provide you with the best service and solution. Let us make a better world for our industry!



Contact us

Tel: +86-755-8981 8866 Fax: +86-755-8427 6832

Email & Skype: info@chipsmall.com Web: www.chipsmall.com

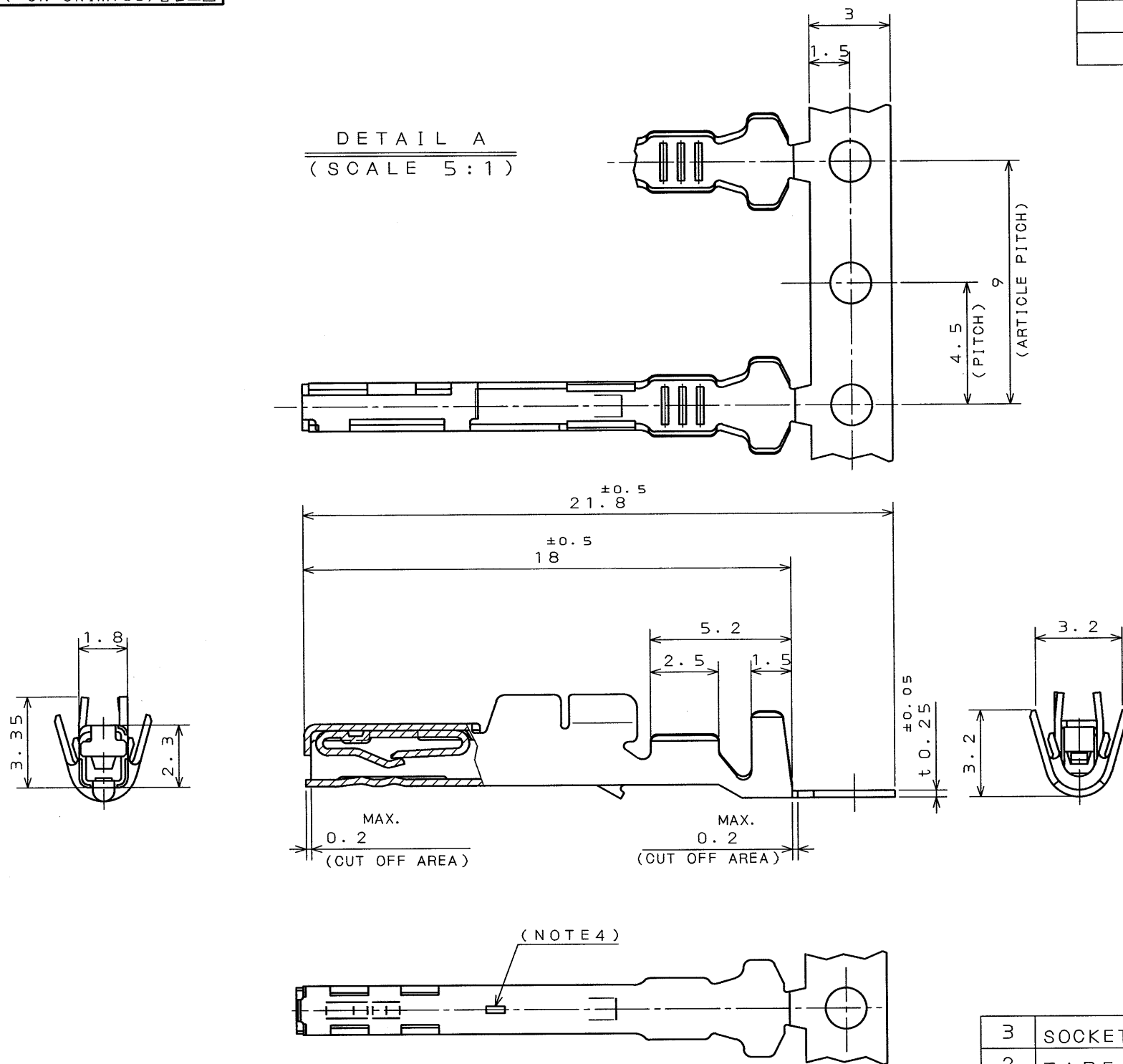
Address: A1208, Overseas Decoration Building, #122 Zhenhua RD., Futian, Shenzhen, China



SJ027816
(DRAWING NO.)

SYM. 版数	DCN NO.	DESCRIPTION 変更内容	DATE 年月日	DRAWN 製図	CHECKED 担当	APP'D 査閲	APP'D 承認
2	36824	REDRAWN	20.09.'95	M. YOKOO	T. OKA	T. Totani	I. Imori

DETAIL A
(SCALE 5:1)



- NOTE 1. APPLICABLE WIRE: AVS, AVSS OR AVX 0.2~0.5mm.
 2. THE SHEARED EDGES OF CONTACT ARE NOT PLATED.
 3. PART NUMBER & QUANTITY AS INDICATED.
 4. IDENTIFICATION MARK
1. 使用電線は、AVS、AVSS、AVX0.2~0.5mmとする。
 2. 剪断面に、メッキは付かない。
 3. 品名及び数量を表示する。
 4. 識別マークを表す。

3	SOCKET CONTACT	5000	PHOSPHOR BRONZE	TIN PLATING	
2	TAPE	1	PAPER		
1	REEL	1	PAPER		
ITEM 符号	DESCRIPTION 名称	Q'TY 個数	MATERIAL 材料	FINISH 仕上	REMARKS 備考
仕様書 (REFERENCE DOCUMENT)		第1版 (DATE) 20. Sep. '93	JAE CONNECTOR.COM Reference Only		
公差 (GENERAL TOLERANCE)		担当 (CHK.) T. OKA	名称 (TITLE) MX5-B-SG-C2 -5000		
寸法 (DIMENSION)		査閲 (APP.) Y. ICHIYAMA	シリーズ (SERIES) MX5		
角度 (ANGLES)		承認 (APP.) I. IMORI	日本航空電子工業株式会社 図面番号 (DRAWING NO.) SJ027816		
. ±0.3	° ±				
.X ±0.3	°X ±				
.XX ±0.3					
.XXX ±					

DOF-C-212A(95.08)

0 10 20 30 40 50 60 70 80 90 100

JAE Connector Div. Proprietary.
Copyright © Japan Aviation Electronics Industry, Ltd.

THIS DRAWING CONTAINS INFORMATION THAT IS PROPRIETARY TO JAE AND SHOULD NOT BE USED WITHOUT WRITTEN PERMISSION.
本図面は日本航空電子工業(株)の所有する情報を含むもので当社の許可なく複製を禁止する。REF; -*

CDS-93-110-10538

SIZE A3