



Chipsmall Limited consists of a professional team with an average of over 10 year of expertise in the distribution of electronic components. Based in Hongkong, we have already established firm and mutual-benefit business relationships with customers from,Europe,America and south Asia,supplying obsolete and hard-to-find components to meet their specific needs.

With the principle of “Quality Parts,Customers Priority,Honest Operation,and Considerate Service”,our business mainly focus on the distribution of electronic components. Line cards we deal with include Microchip,ALPS,ROHM,Xilinx,Pulse,ON,Everlight and Freescale. Main products comprise IC,Modules,Potentiometer,IC Socket,Relay,Connector.Our parts cover such applications as commercial,industrial, and automotives areas.

We are looking forward to setting up business relationship with you and hope to provide you with the best service and solution. Let us make a better world for our industry!



## Contact us

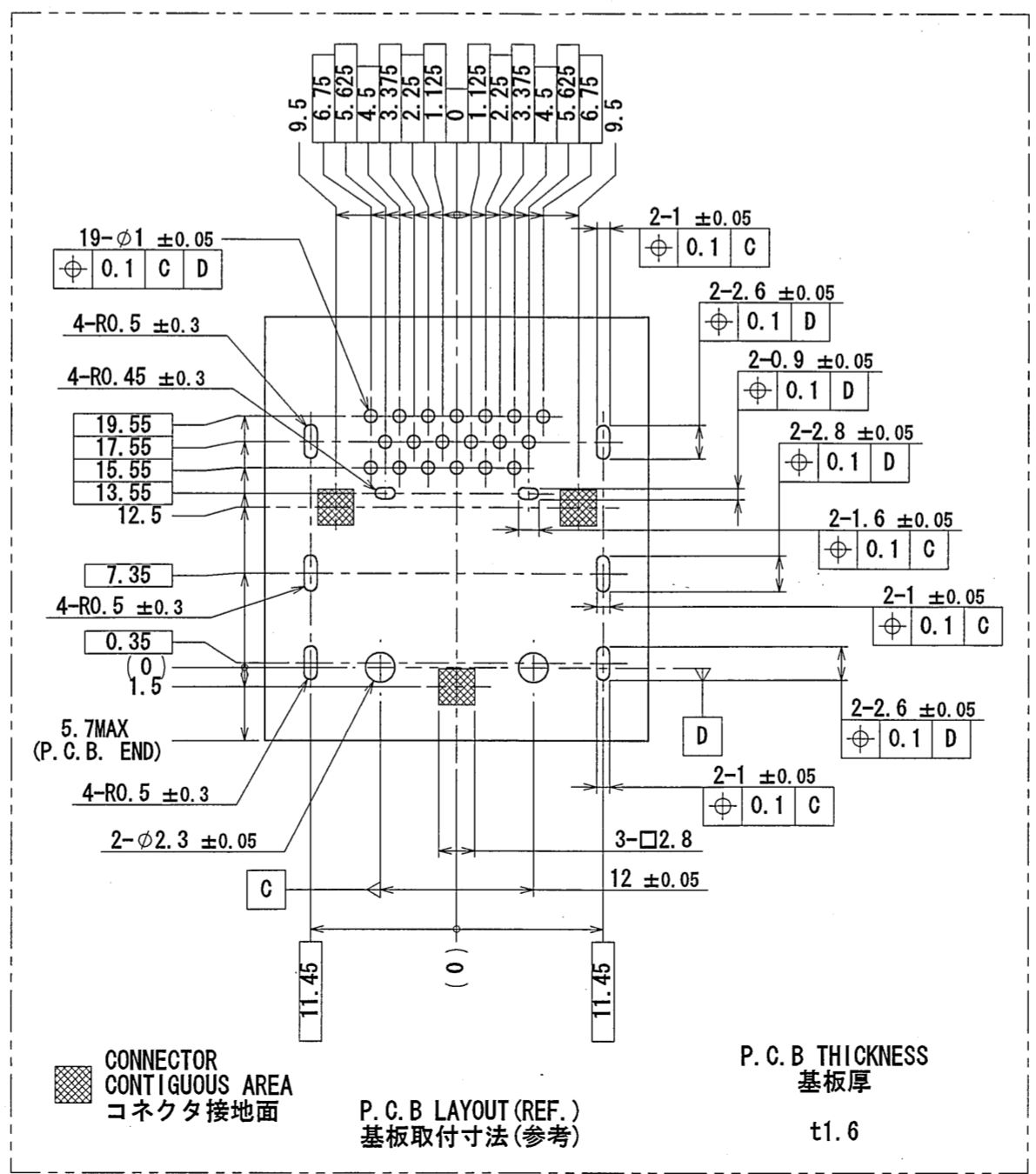
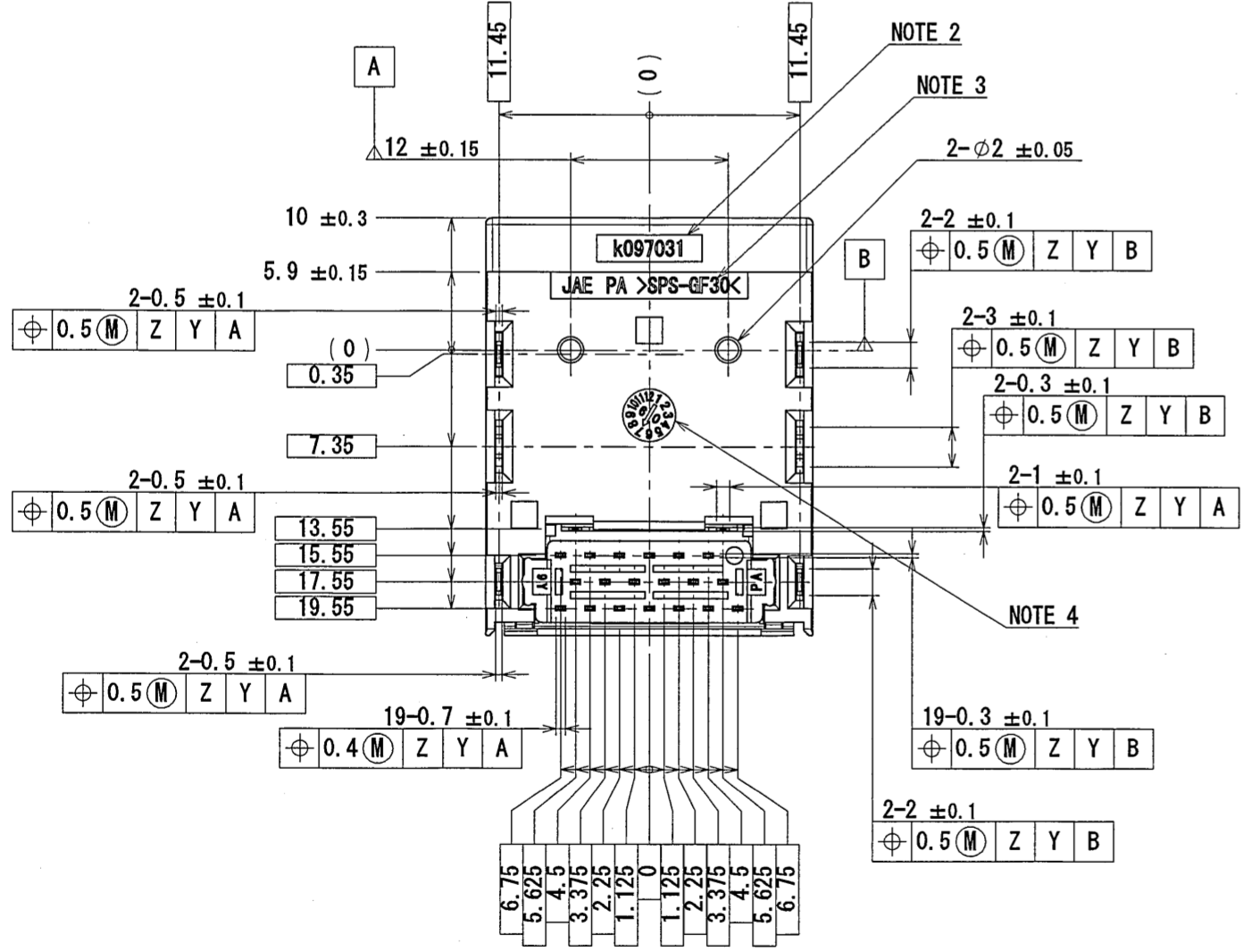
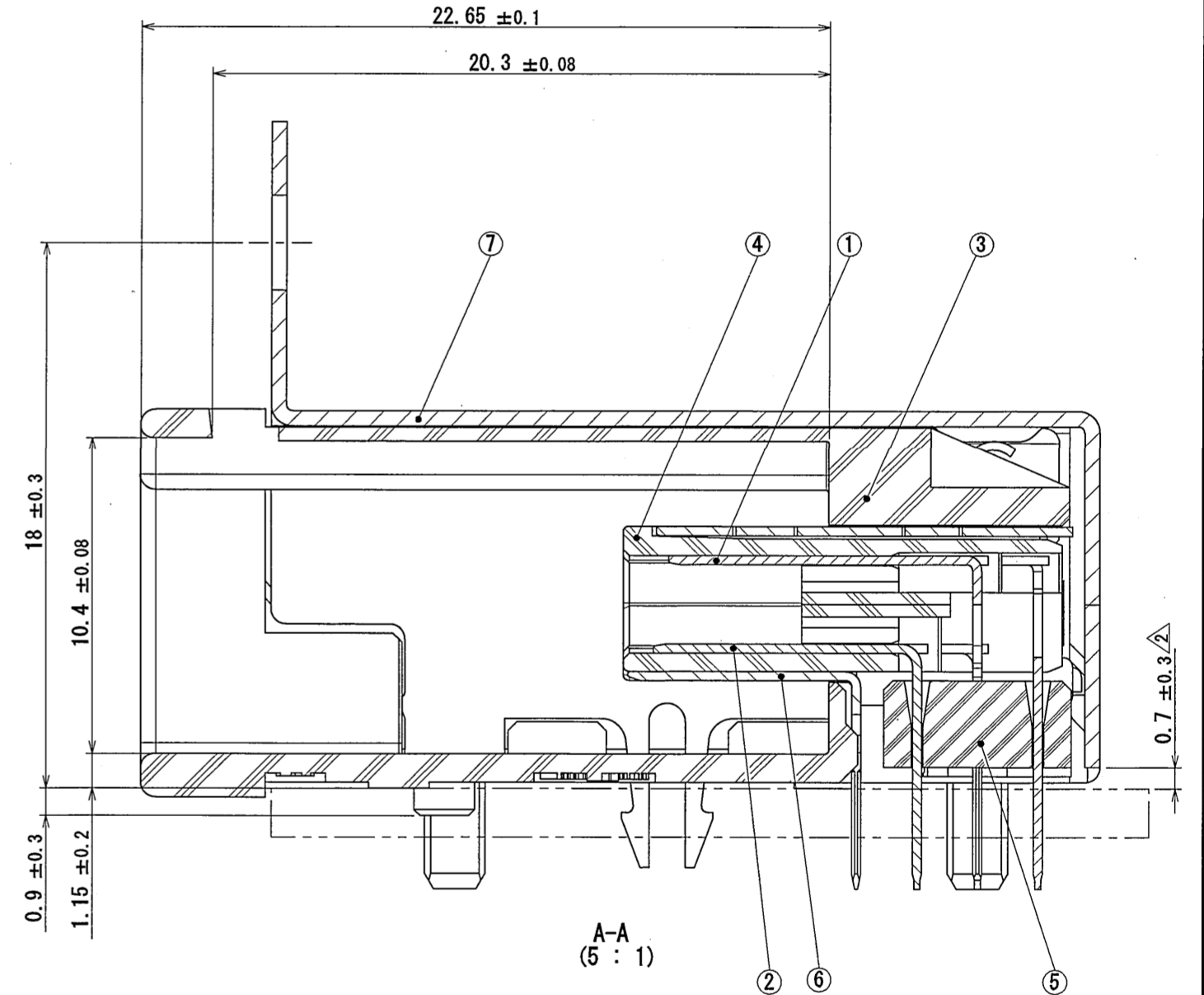
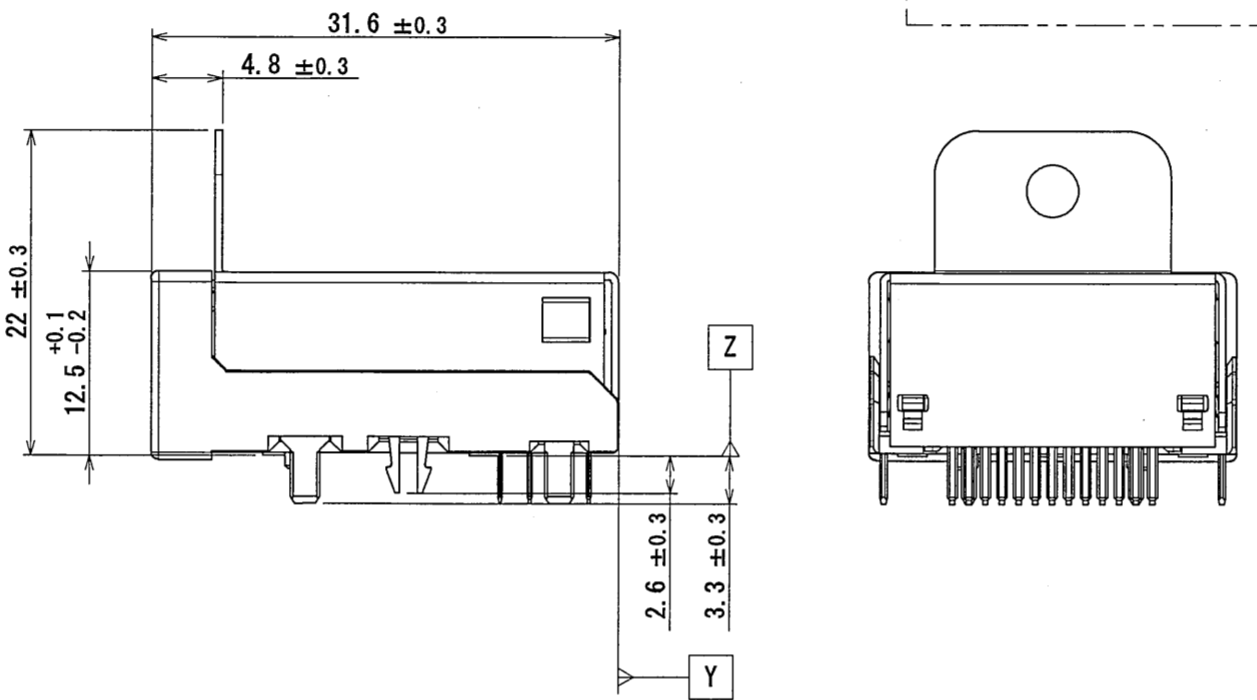
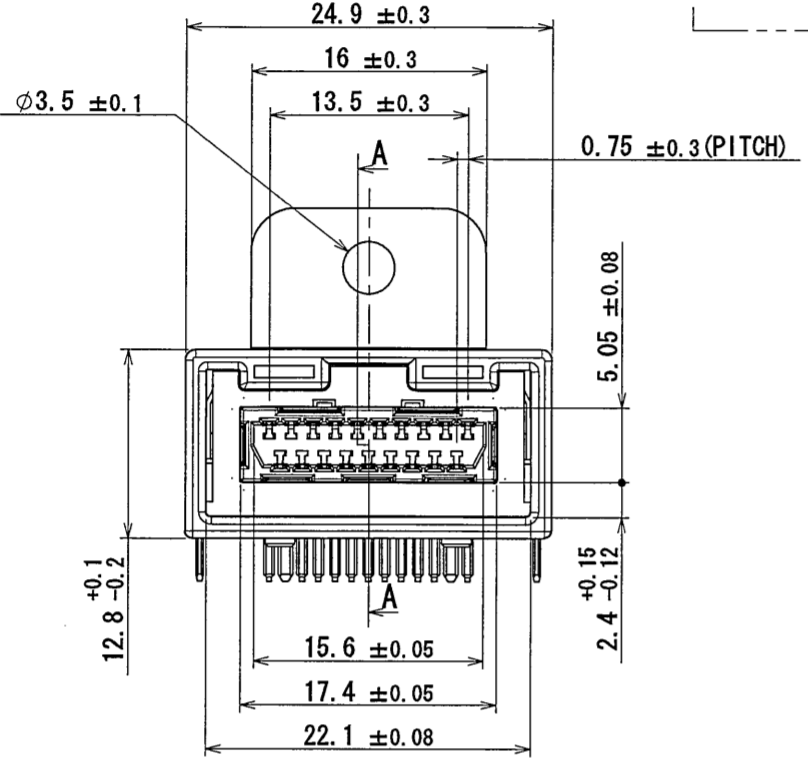
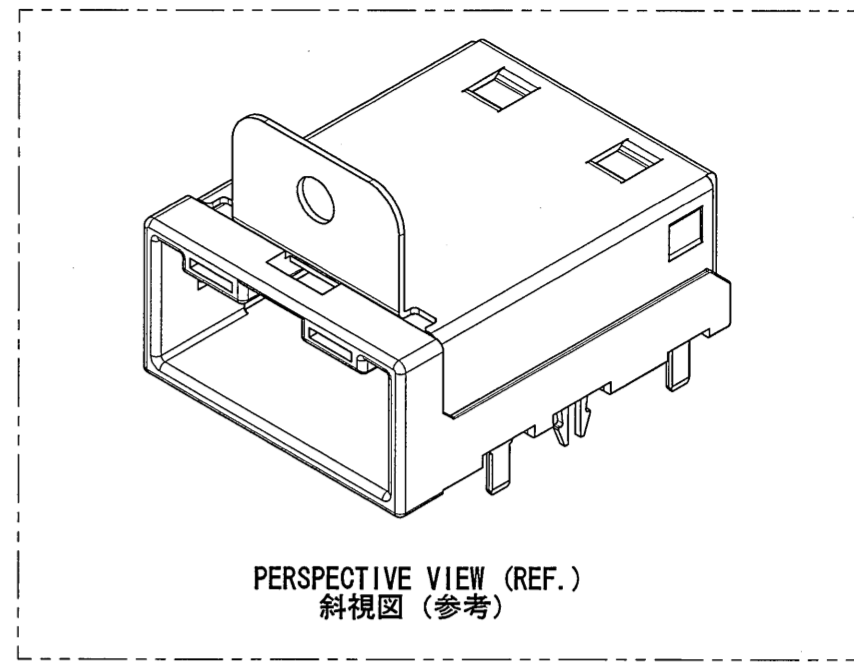
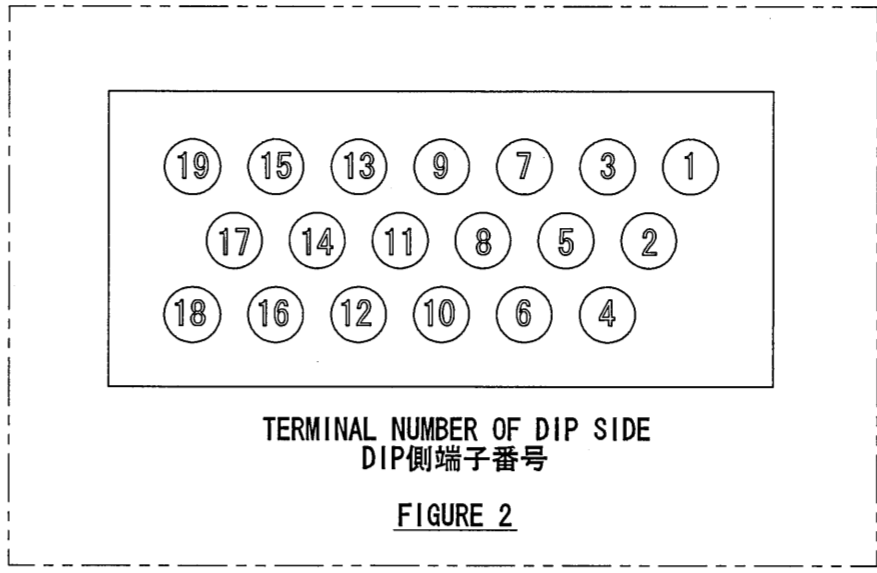
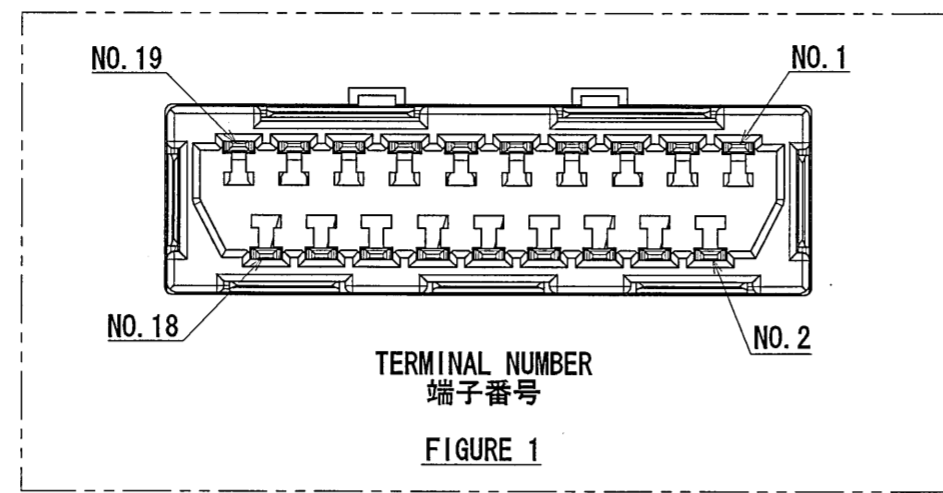
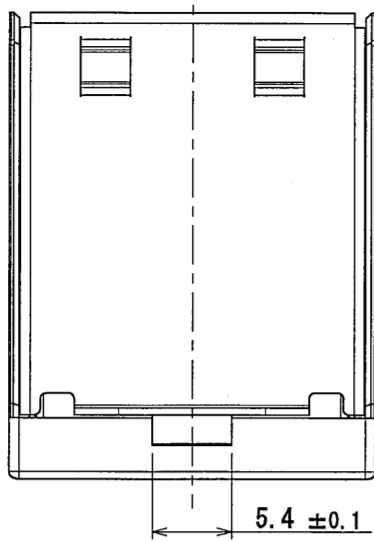
Tel: +86-755-8981 8866 Fax: +86-755-8427 6832

Email & Skype: info@chipsmall.com Web: www.chipsmall.com

Address: A1208, Overseas Decoration Building, #122 Zhenhua RD., Futian, Shenzhen, China



版数 REV.	年月日 DATE	DCN NO.	変更内容 DESCRIPTION	製図 DR.	担当 CHK.	査閲 APPD.	承認 APPD.
2	16/JUL/2009	068280	ADD THE DIMENSION	-	Y. SUZUKI	-	T. Totani



符号 NO.	名 称 DESCRIPTION	個 数 QTY.	材 料 MATERIAL	仕 上 げ FINISH	備 考 REMARKS
7	SHIELD SHELL	1	BRASS	TIN PLATING	t0.5mm
6	GROUND TERMINAL	1	COPPER ALLOY	TIN PLATING	t0.3mm
5	HOUSING C	1	SPS-GF30	-	COLOR:BLACK
4	HOUSING B	1	LCP-GF35	-	COLOR:BEIGE
3	HOUSING A	1	SPS-GF30	-	COLOR:BLACK
2	TERMINAL 2	9	BRASS	SELECTIVE GOLD PLATING SELECTIVE TIN PLATING	t0.3mm
1	TERMINAL 1	10	BRASS	SELECTIVE GOLD PLATING SELECTIVE TIN PLATING	t0.3mm

仕様書 (SPECIFICATION) JACS-10628 JAH-10628	第1版 (ORIGINAL DATE) 03/JUL/2009	尺 度 (SCALE) 2:1	シリーズ (SERIES) MX50	製 図 DR. -	名 称 (TITLE) MX50019NQ1	日 本 航 空 電 子 工 業 株 式 有 限 公 司 JAPAN AVIATION ELECTRONICS INDUSTRY, LTD.	版 数 (REV.) 2
一般公差 (GENERAL TOLERANCE) 寸法 (DIMENSION) × ± ×× ± ××× ±	角 度 (ANGLES) ×° ± ××° ±	担 当 CHK. Y. SUZUKI	査 閲 APPD. S. TAKEDA	承 認 APPD. T. TOTANI	重 量 (MASS) 13g	図 面 番 号 (DRAWING NO.) SJ109697	

注1. コネクタの端子番号をFIGURE 1, 2に示す。  
注2. 指示箇所に組立ロットNO. を刻印表示する。  
注3. 社標、キャビNO.、材料名を沈み彫り浮き出す。  
注4. ハウジングの成形ロットを沈み彫り浮き出す。  
注5. 嵌合間口寸法及び端子番号は、HDMI規格 TYPE E コネクタに準ずる。

DFP-C-213E (05.09)