



Chipsmall Limited consists of a professional team with an average of over 10 year of expertise in the distribution of electronic components. Based in Hongkong, we have already established firm and mutual-benefit business relationships with customers from,Europe,America and south Asia,supplying obsolete and hard-to-find components to meet their specific needs.

With the principle of "Quality Parts,Customers Priority,Honest Operation,and Considerate Service",our business mainly focus on the distribution of electronic components. Line cards we deal with include Microchip,ALPS,ROHM,Xilinx,Pulse,ON,Everlight and Freescale. Main products comprise IC,Modules,Potentiometer,IC Socket,Relay,Connector.Our parts cover such applications as commercial,industrial, and automotives areas.

We are looking forward to setting up business relationship with you and hope to provide you with the best service and solution. Let us make a better world for our industry!



## Contact us

Tel: +86-755-8981 8866 Fax: +86-755-8427 6832

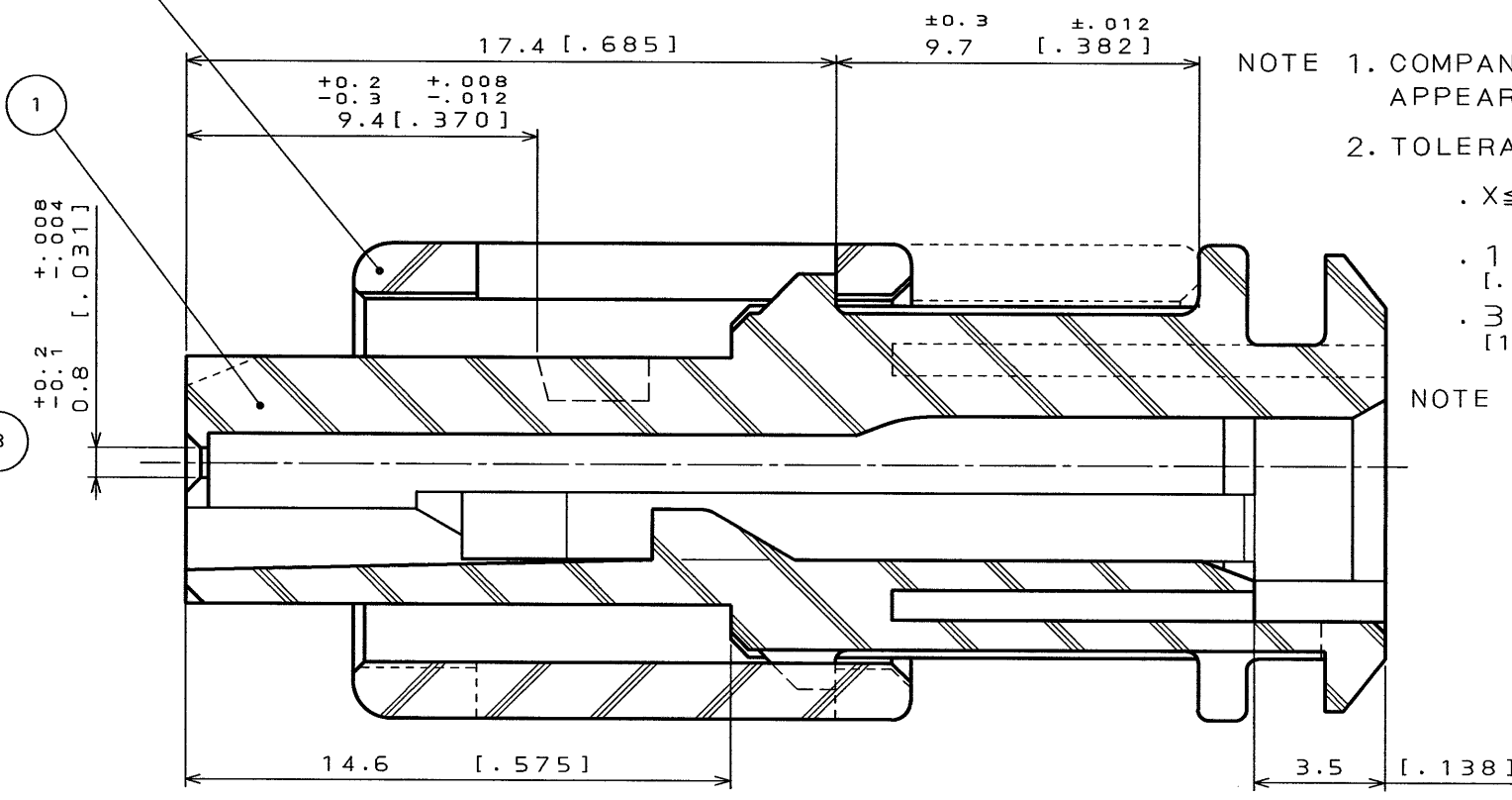
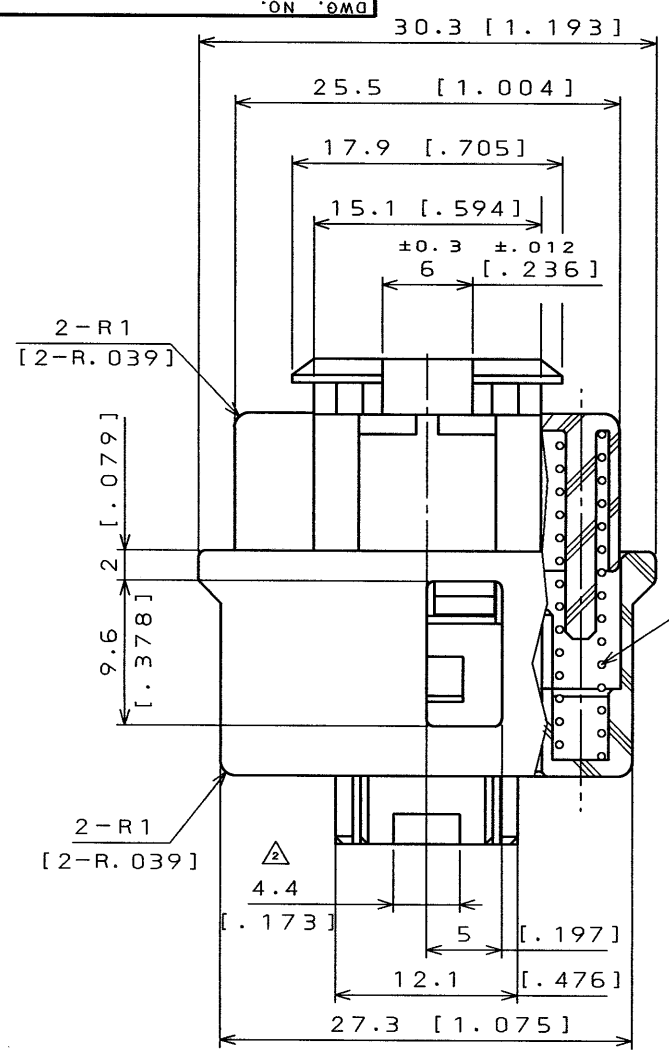
Email & Skype: info@chipsmall.com Web: www.chipsmall.com

Address: A1208, Overseas Decoration Building, #122 Zhenhua RD., Futian, Shenzhen, China



SJ028345-E

SYM.	DCN NO.	DESCRIPTION	DATE	DRAWN	CHECKED	APP'D	APP'D
2	34604	CHANGED FORM	27. Sep '94		SHINMYO	T. TOTANI	H. FUJINO
3	35457	CHANGED FORM&MATERIAL	17. Feb '95		SHINMYO		I. Imori

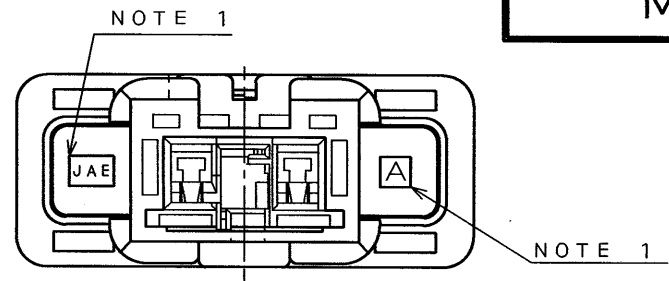
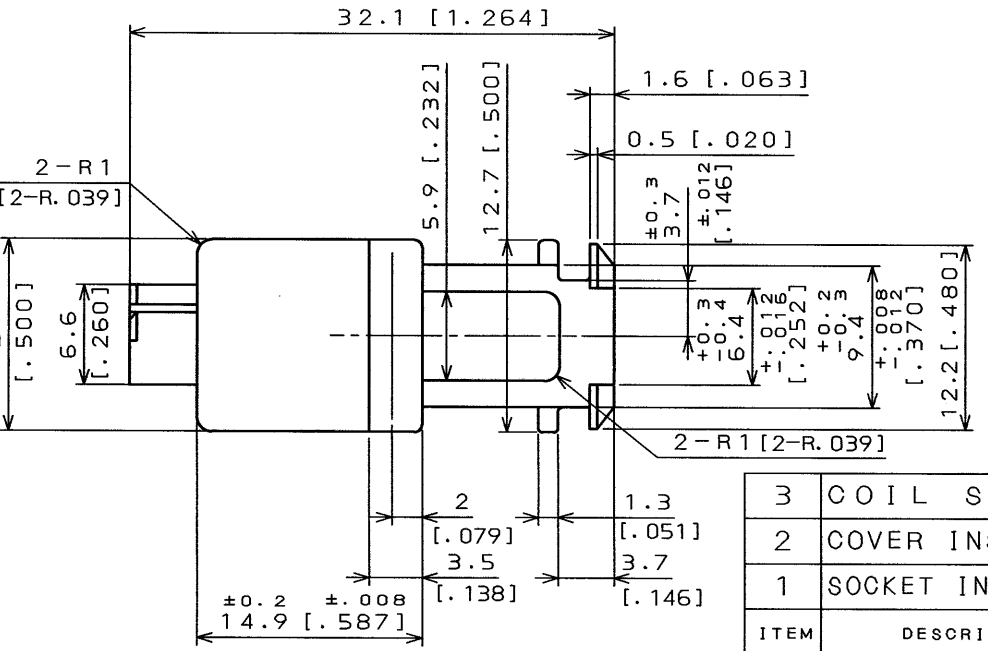
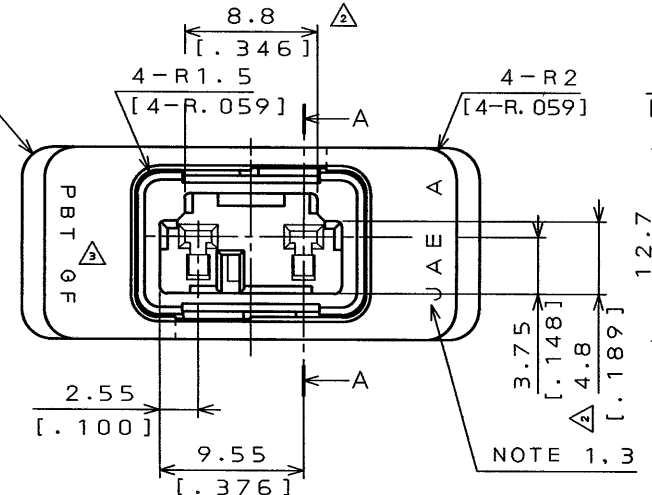


NOTE 1. COMPANY LOGO "JAE" & TOOLING MARK APPEARS IN RAISED LETTERS OR RELIEF.  
 2. TOLERANCES (DIMENSION:X)

. X ≤ 10	: ±0.2
[.394]	[±.008]
. 10 < X ≤ 30	: ±0.5
[.394] [1.181]	[.020]
. 30 < X ≤ 100	: ±1
[1.181] [3.937]	[.039]

NOTE 3. IT WILL BE NOT MATTER WHETHER THIS MARK IS LOCATED AT THE RIGHT SIDE OR THE LEFT SIDE OF THE CENTER

**SPECIAL CONTROL ITEM MX9**



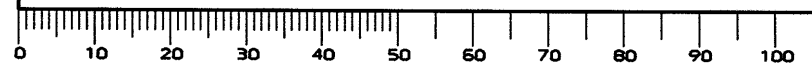
ITEM	DESCRIPTION	Q'TY	MATERIAL	FINISH	REMARKS
3	COIL SPRING	2	SUS304		
2	COVER INSULATOR	1	GLASS FILLED PBT	△	COLOR:YELLOW
1	SOCKET INSULATOR	1	PBT		COLOR:YELLOW

REFERENCE DOCUMENT	DATE	SCALE	WT.
	23. May. '94	1	
DRAWN	CHECKED	TITLE	
M. OOWA	SHINMYO	MX9-2SC	
APP'D	APP'D	SERIES	
	I. IMORI	MX9	

DIMENSIONS ARE IN MILLIMETERS  
 TOLERANCES ON: (INCHES)

DIMENSION	ANGLES
. ±	X° ±
.X ±	X°X ±
.XX ±	CONCENTRICITY
.XXX ±	WITHIN T.I.R.

DCF-116A



CDS94-110-10178

SIZE A3

**JAE-CONNECTOR.COM**  
 Reference Only  
 JAE  
 MUSASHINO, AKISHIMA-SHI  
 TOKYO, JAPAN  
 DWG. NO. SJ028345-E