



Chipsmall Limited consists of a professional team with an average of over 10 year of expertise in the distribution of electronic components. Based in Hongkong, we have already established firm and mutual-benefit business relationships with customers from,Europe,America and south Asia,supplying obsolete and hard-to-find components to meet their specific needs.

With the principle of “Quality Parts,Customers Priority,Honest Operation,and Considerate Service”,our business mainly focus on the distribution of electronic components. Line cards we deal with include Microchip,ALPS,ROHM,Xilinx,Pulse,ON,Everlight and Freescale. Main products comprise IC,Modules,Potentiometer,IC Socket,Relay,Connector.Our parts cover such applications as commercial,industrial, and automotives areas.

We are looking forward to setting up business relationship with you and hope to provide you with the best service and solution. Let us make a better world for our industry!



Contact us

Tel: +86-755-8981 8866 Fax: +86-755-8427 6832

Email & Skype: info@chipsmall.com Web: www.chipsmall.com

Address: A1208, Overseas Decoration Building, #122 Zhenhua RD., Futian, Shenzhen, China





+5V Multiprotocol, Software-Selectable Cable Terminator

MXL1344A

General Description

The MXL1344A contains six software-selectable, multi-protocol cable termination networks. Each network is capable of terminating V.11 (RS-422, RS-530, RS-530A, RS-449, V.36 and X.21) with a 100Ω differential load, V.35 with a T-network load, or V.28 (RS-232) and V.10 (RS-423) with an open-circuit load for use with transceivers having on-chip termination. The termination protocol can be selected by the serial interface cable wiring or by software control. The MXL1344A replaces discrete resistor termination networks and expensive relays required for multiprotocol termination, saving space and cost.

The MXL1344A terminator is designed to form a complete +5V cable- or software-selectable multiprotocol DCE/DTE interface port when used with the MXL1543 and MXL1544/MAX3175 transceiver ICs. The MXL1344A terminator can use the V_{EE} power generated by the MXL1543 charge pump, simplifying system design. The MXL1344A, MXL1543, and MXL1544/MAX3175 are pin-for-pin compatible with the LTC1344A, LTC1543, and LTC1544, but for proper operation the entire Maxim chipset must be used without substituting other manufacturer's parts on a chip-by-chip basis.

The MXL1344A is available in a 24-pin SSOP package and is specified for the 0°C to +70°C commercial temperature range.

Features

- ◆ Certified TBR-1 and TBR-2-Compliant Chipset (NET1 and NET2)—Pending Completion of Testing
- ◆ Supports V.10 (RS-423), V.11 (RS-422, RS-530, RS-530A, RS-449, V.36, and X.21), V.28 (RS-232) and V.35 Termination
- ◆ Cable- or Software-Selectable Termination
- ◆ Cable- or Software-Selectable DTE/DCE
- ◆ Replaces Discrete Resistor Termination Networks and Expensive Relays
- ◆ Available in Small 24-Pin SSOP Package

Applications

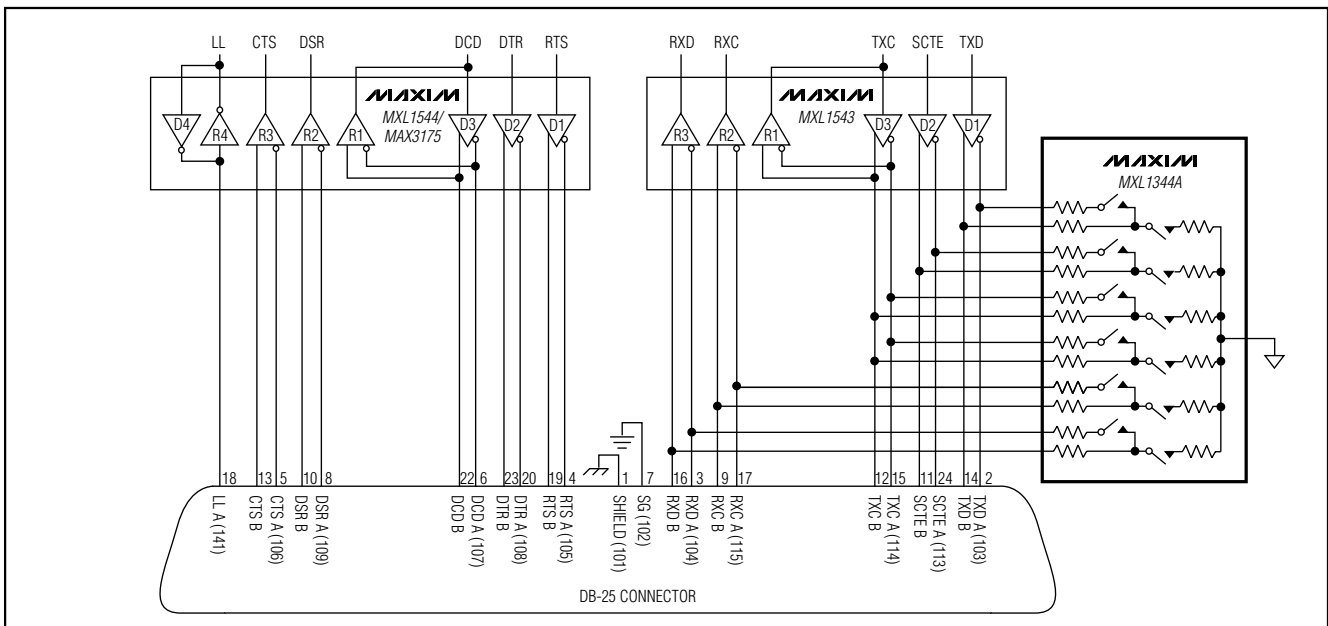
- | | |
|-----------------|-----------------------------|
| Data Networking | PCI Cards |
| CSU and DSU | Telecommunication Equipment |
| Data Routers | Data Switches |

Ordering Information

PART	TEMP. RANGE	PIN-PACKAGE
MXL1344ACAG	0°C to +70°C	24 SSOP

Pin Configuration appears at end of data sheet.

Typical Operating Circuit



+5V Multiprotocol, Software-Selectable Cable Terminator

ABSOLUTE MAXIMUM RATINGS

All Voltages to GND Unless Otherwise Noted

Supply Voltages

V_{CC}-0.3V to +6V

V_{EE}+0.3V to -7V

Logic Input Voltages

M0, M1, M2, DCE/DTE, LATCH-0.3V to +6V

Termination Network Inputs

R_A, R_B-15V to +15V

R_A to R_B±15V

Continuous Power Dissipation (T_A = +70°C)

24-Pin SSOP (derate 8mW/°C above +70°C)640mW

Operating Temperature Range0°C to +70°C

Die Temperature+150°C

Storage Temperature Range-65°C to +150°C

Lead Temperature (soldering, 10s)+300°C

Stresses beyond those listed under "Absolute Maximum Ratings" may cause permanent damage to the device. These are stress ratings only, and functional operation of the device at these or any other conditions beyond those indicated in the operational sections of the specifications is not implied. Exposure to absolute maximum rating conditions for extended periods may affect device reliability.

ELECTRICAL CHARACTERISTICS

(V_{CC} = +5V ±5%, V_{EE} = -5V ±5%, T_A = 0°C to 70°C, unless otherwise noted. Typical values are at T_A = +25°C, V_{CC} = +5V, V_{EE} = -5V, unless otherwise noted.)

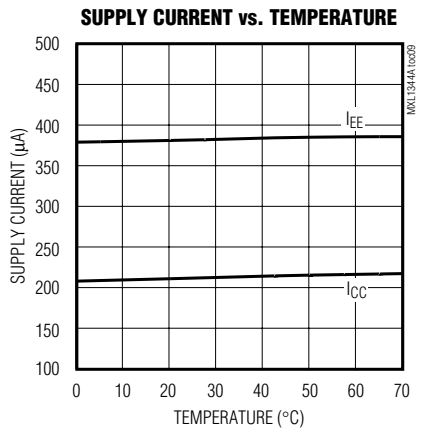
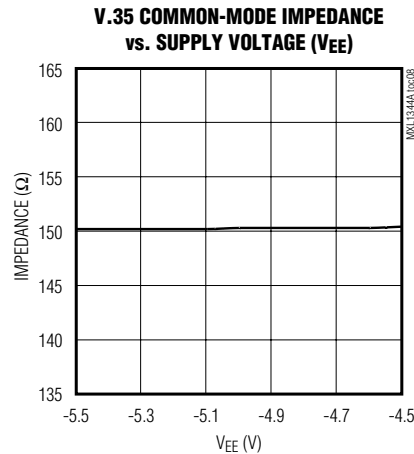
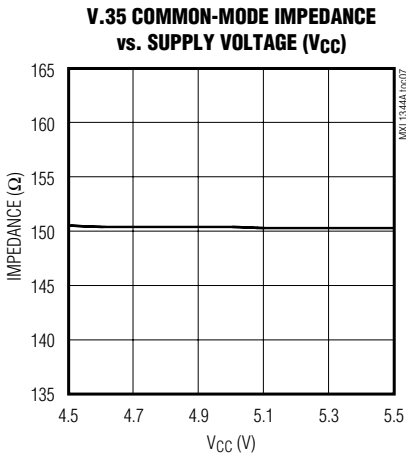
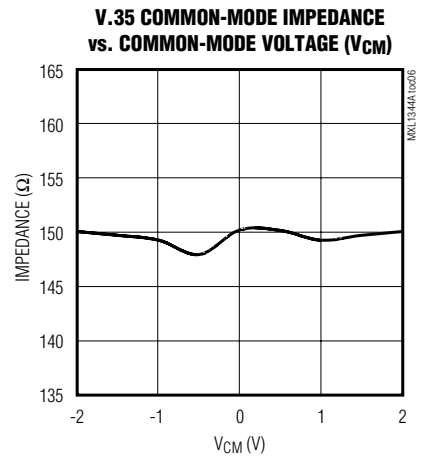
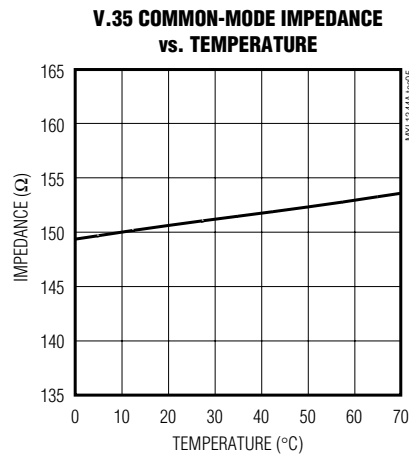
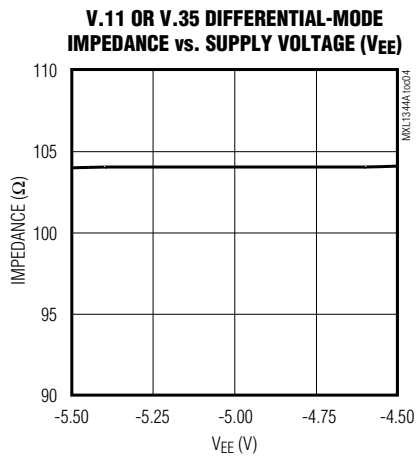
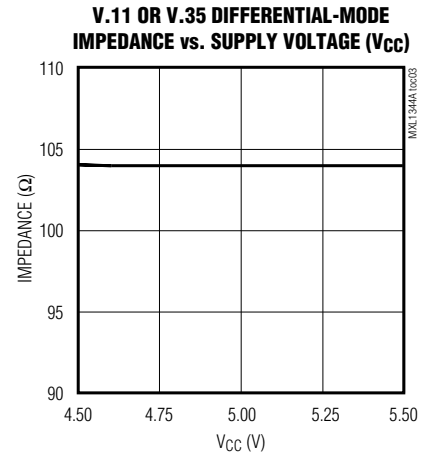
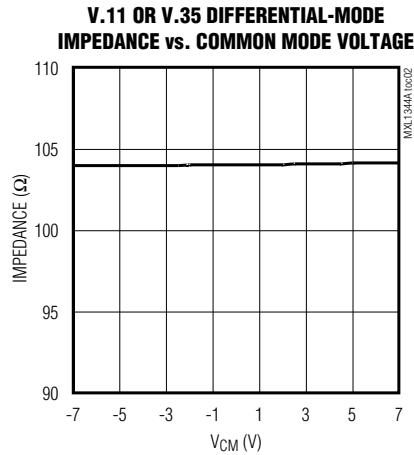
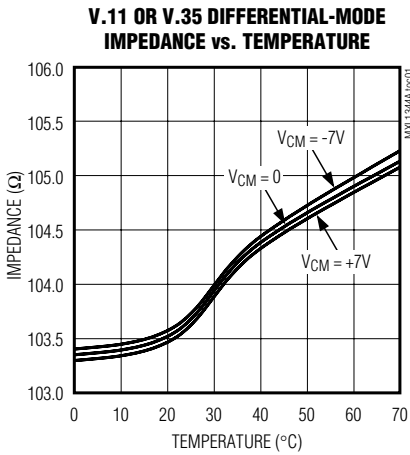
PARAMETER	SYMBOL	CONDITIONS	MIN	TYP	MAX	UNITS
DC CHARACTERISTICS						
V _{CC} Supply Current	I _{CC}	All logic inputs = GND or V _{CC}		0.4	1.0	mA
TERMINATOR PINS						
Differential-Mode Impedance V.35 Mode		-2V ≤ V _{CM} ≤ +2V, all loads, Figure 1	90	104	110	Ω
Common-Mode Impedance V.35 Mode		-2V ≤ V _{CM} ≤ +2V, all loads, Figure 2	135	153	165	Ω
Differential-Mode Impedance V.11 Mode		V _{CM} = 0V, all loads	100	104	110	Ω
		-7V ≤ V _{CM} ≤ +7V, all loads, T _A = +25°C	100	104		
High-Impedance Leakage Current	I _Z	-7V ≤ V _{CM} ≤ +7V, all loads	-50		50	μA
LOGIC INPUTS (M0, M1, M2, LATCH, DCE/DTE)						
Input High Voltage	V _{IH}		2.0			V
Input Low Voltage	V _{IL}				0.8	V
Logic Input Current	I _{IH} , I _{IL}	V _{IN} = V _{CC} or GND			±10	μA

+5V Multiprotocol, Software-Selectable Cable Terminator

Typical Operating Characteristics

($V_{CC} = +5V$, $V_{EE} = -5V$, $T_A = +25^\circ C$, unless otherwise noted.)

MXL1344A



+5V Multiprotocol, Software-Selectable Cable Terminator

Pin Description

PIN	NAME	FUNCTION
1	M0	Mode-Select Pin (Table 1)
2	V _{EE}	Negative Supply Voltage (typically connected to V _{EE} of MXL1543*). Bypass to GND with a 0.1μF capacitor.
3	R1C	Load 1, Center Tap
4	R1B	Load 1, Node B
5	R1A	Load 1, Node A
6	R2A	Load 2, Node A
7	R2B	Load 2, Node B
8	R2C	Load 2, Center Tap
9	R3A	Load 3, Node A
10	R3B	Load 3, Node B
11	R3C	Load 3, Center Tap
12, 13	GND	Ground
14	V _{CC}	+5V Supply Voltage. Bypass to GND with a 0.1μF capacitor.
15	R4B	Load 4, Node B
16	R4A	Load 4, Node A
17	R5B	Load 5, Node B
18	R5A	Load 5, Node A
19	R6A	Load 6, Node A
20	R6B	Load 6, Node B
21	$\overline{\text{LATCH}}$	Latch Signal Input. When $\overline{\text{LATCH}}$ is LOW, the input latches are transparent. When $\overline{\text{LATCH}}$ is high, the data at the mode-select inputs are latched.
22	DCE/ $\overline{\text{DTE}}$	Logic Level HIGH selects DCE interface, (Table 1)
23	M2	Mode-Select Pin (Table 1)
24	M1	Mode-Select Pin (Table 1)

*V_{EE} is typically supplied by the charge pump of the MXL1543. The V_{EE} input level varies with the mode of chipset operation as follows:

V.35/V.28 Modes: $-6.50V \leq V_{EE} \leq -5.45V$, in typical operation $V_{EE} = -5.80V$
V.10/V.11 Modes: $-4.60V \leq V_{EE} \leq -3.80V$, in typical operation $V_{EE} = -4.20V$

Detailed Description

The MXL1344A contains six software-selectable multiprotocol cable termination networks (Figure 3). Each network is capable of terminating V.11 (RS-422, RS-530, RS-530A, RS-449, V.36 and X.21) with a 100Ω differential load, V.35 with a T-network load, or V.28 (RS-232) and V.10 (RS-423) with an open-circuit load for use with transceivers having on-chip termination. The termination protocol can be selected by the serial interface cable wiring or by software control. The MXL1344A replaces discrete resistor termination net-

works and expensive relays required for multiprotocol termination, saving space and cost.

The MXL1344A terminator is designed to form a complete +5V cable- or software-selectable multiprotocol DTE/DCE interface port when used with the MXL1543 and MXL1544/MAX3175 transceivers. The MXL1344A terminator can use the V_{EE} power generated by the MXL1543 charge pump, simplifying system design. The MXL1344A, MXL1543, and MXL1544/MAX3175 are pin-for-pin compatible with the LTC1344A, LTC1543, and LTC1544, but for proper operation, the entire Maxim

+5V Multiprotocol, Software-Selectable Cable Terminator

MXL1344A

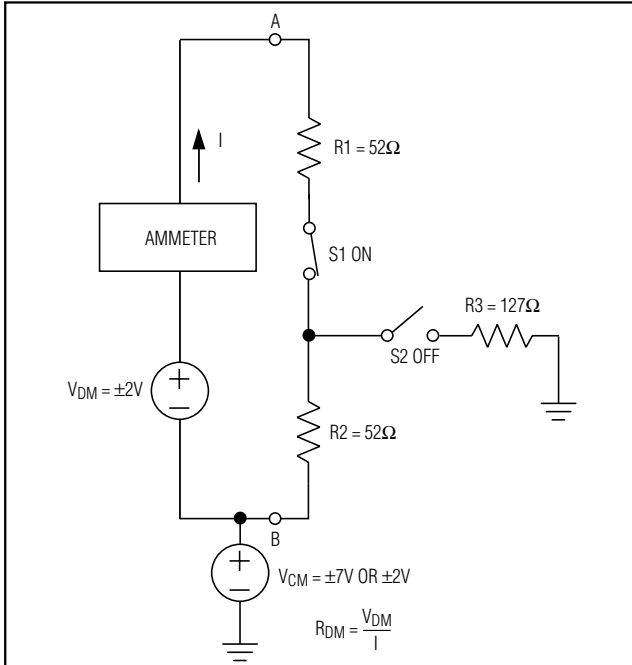


Figure 1. V.11 or V.35 Differential Impedance Measurement

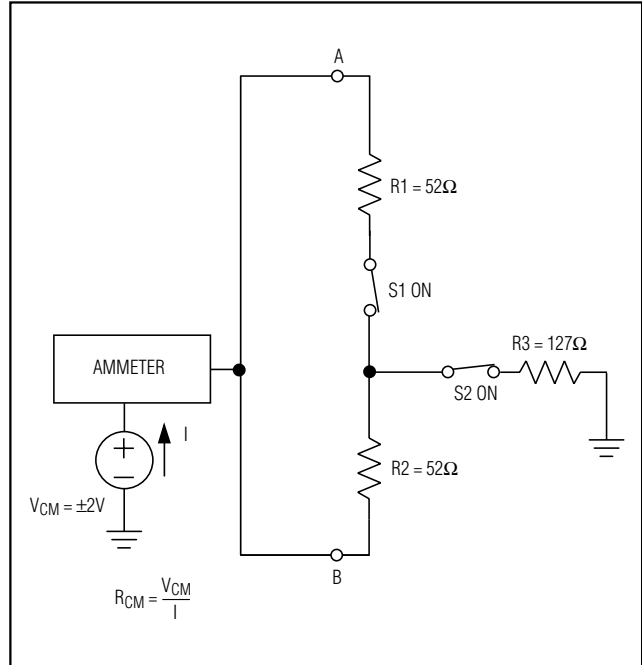


Figure 2. V.35 Common-Mode Impedance Measurement

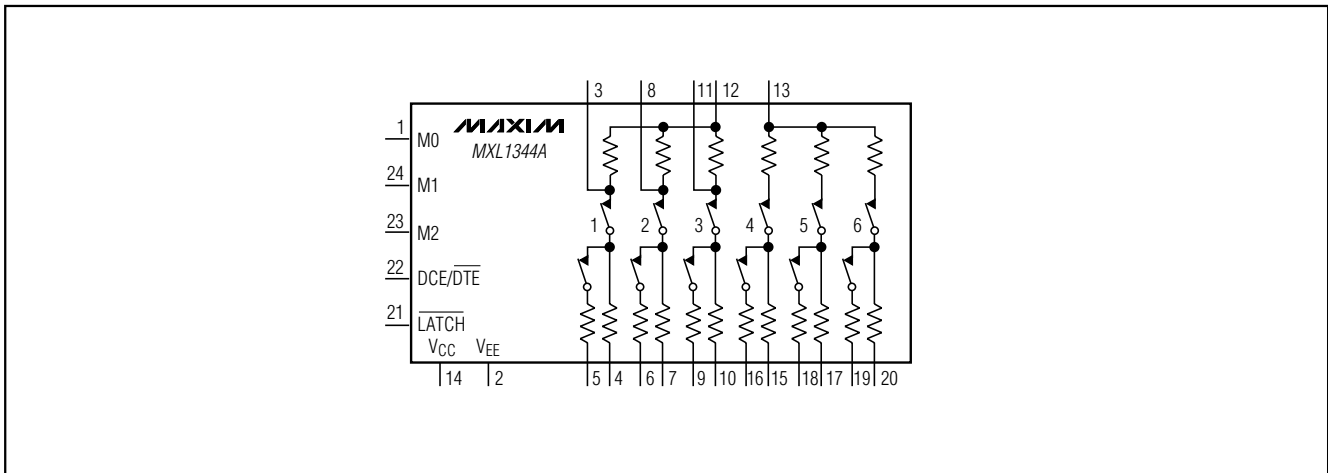


Figure 3. Block Diagram

chipset must be used without substituting other manufacturer's parts on a chip-by-chip basis.

Termination Modes

The termination networks in the MXL1344A can be set to one of three modes, V.11, V.35, or high impedance (high-Z). As shown in Figure 4, in V.11 mode, switch S1

is closed and switch S2 is open, presenting 104Ω across terminals A and B. In V.35 mode, switches S1 and S2 are both closed, presenting a T-network with 104Ω differential impedance and 153Ω common-mode impedance. In high-Z mode, switches S1 and S2 are both open, presenting a high impedance across terminals A and B suitable for V.28 and V.10 modes.

+5V Multiprotocol, Software-Selectable Cable Terminator

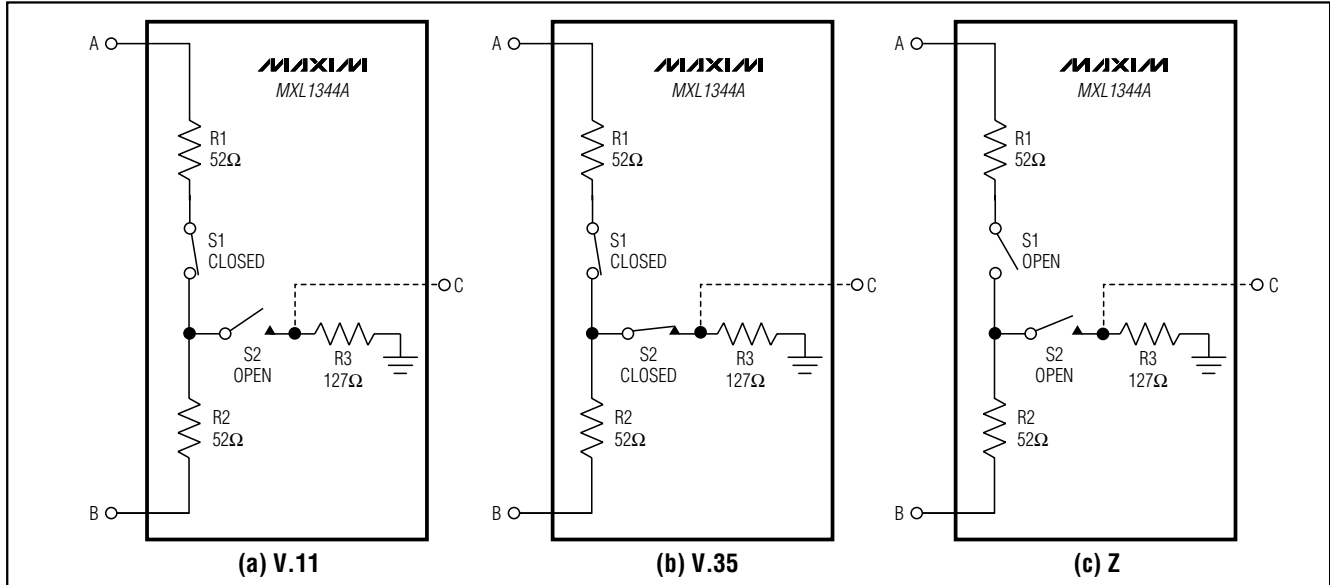


Figure 4. Termination Modes

Table 1. Termination Mode Select Table

PROTOCOL	DCE/ DTE	M2	M1	M0	R1	R2	R3	R4	R5	R6
V.10/RS-423	0	0	0	0	Z	Z	Z	Z	Z	Z
RS-530A	0	0	0	1	Z	Z	Z	V.11	V.11	V.11
RS-530	0	0	1	0	Z	Z	Z	V.11	V.11	V.11
X.21	0	0	1	1	Z	Z	Z	V.11	V.11	V.11
V.35	0	1	0	0	V.35	V.35	Z	V.35	V.35	V.35
RS-449/V.36	0	1	0	1	Z	Z	Z	V.11	V.11	V.11
V.28/RS-232	0	1	1	0	Z	Z	Z	Z	Z	Z
No Cable	0	1	1	1	V.11	V.11	V.11	V.11	V.11	V.11
V.10/RS-423	1	0	0	0	Z	Z	Z	Z	Z	Z
RS-530A	1	0	0	1	Z	Z	Z	Z	V.11	V.11
RS-530	1	0	1	0	Z	Z	Z	Z	V.11	V.11
X.21	1	0	1	1	Z	Z	Z	Z	V.11	V.11
V.35	1	1	0	0	V.35	V.35	V.35	Z	V.35	V.35
RS-449/V.36	1	1	0	1	Z	Z	Z	Z	V.11	V.11
V.28/RS-232	1	1	1	0	Z	Z	Z	Z	Z	Z
No Cable	1	1	1	1	V.11	V.11	V.11	V.11	V.11	V.11

Note: Z Indicates high impedance, 1 = high and 0 = low. Z, V.11, and V.35 refer to termination modes (Figure 4.)

The state of the MXL1344A's mode-select pins, M0, M1, M2, and DCE/DTE determines the mode of each of the six termination networks. Table 1 shows a cross-reference of termination mode and select pin state for

each of the six termination networks within the MXL1344A.

+5V Multiprotocol, Software-Selectable Cable Terminator

MAX1344A

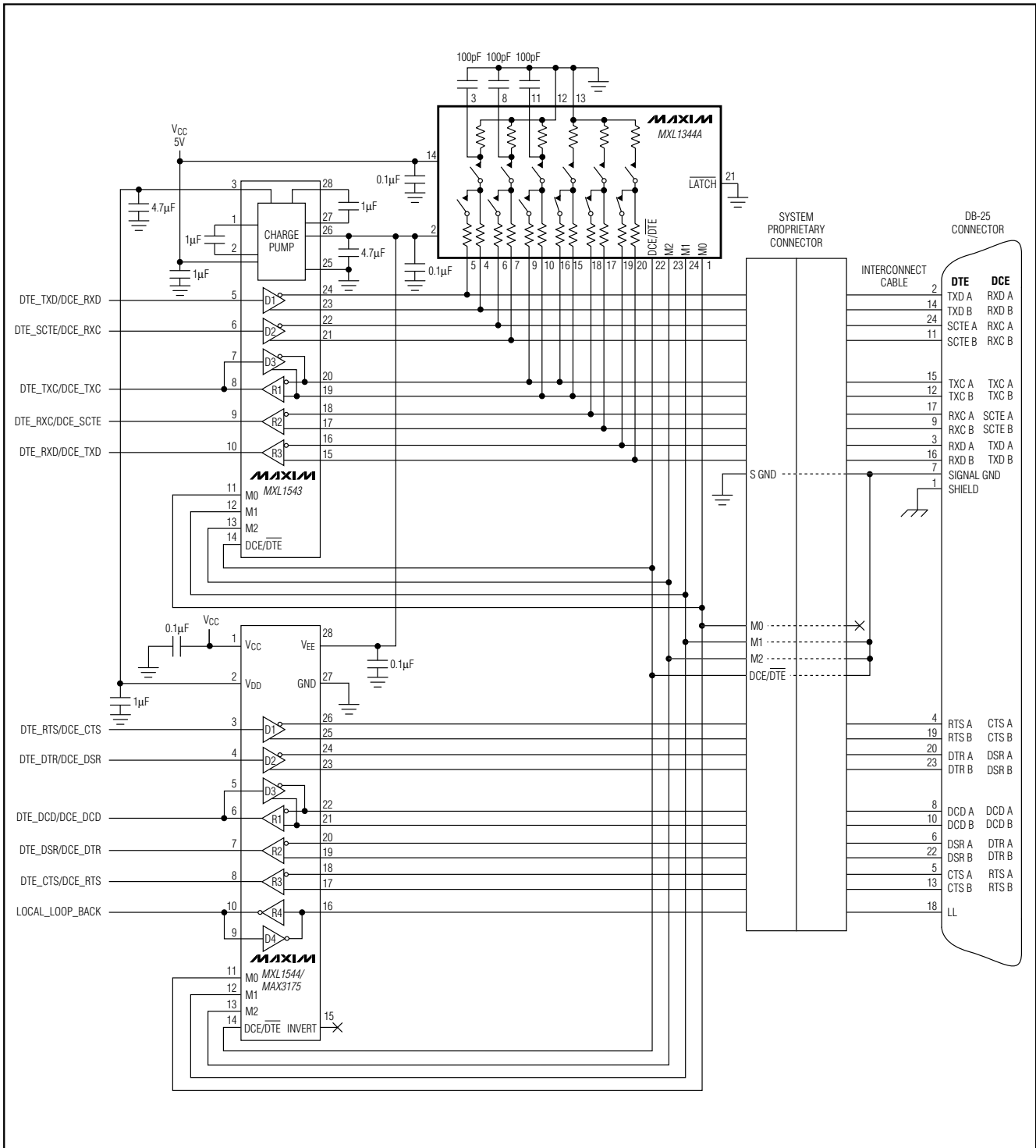


Figure 5. Cable-Selectable Multiprotocol DCE/DTE Serial Interface (Configured in RS-530A DTE Mode)

+5V Multiprotocol, Software-Selectable Cable Terminator

No-Cable Mode

The MXL1344A enters no-cable mode when the mode select inputs, M0, M1, and M2 are connected HIGH or left unconnected. In no-cable mode, all six termination networks are placed in V.11 mode, with S1 closed and S2 open (Figure 4).

Applications Information

Older multiprotocol interface termination circuits have been constructed using expensive relays with discrete resistors, custom cables with built-in termination, or complex circuit-board configurations to route signals to

the correct termination. The MXL1344A provides a simple solution to this termination problem. All required termination configurations are easily cable- or software-selectable using the four mode-control input pins M0, M1, M2, and DCE/ $\overline{\text{DTE}}$.

Using the MXL1344A in a Multiprotocol Serial Interface

The MXL1344A terminator is designed to form a complete +5V cable- or software-selectable multiprotocol DCE/DTE interface port when used with the MXL1543 and MXL1544/MAX3175 differential driver/receivers. The MXL1344A terminator is designed to use the V_{EE} power generated by the MXL1543's charge pump and will meet all data sheet specifications when connected as illustrated in Figure 5. The mode-selection tables of all three devices are identical, allowing the M0, M1, M2, and DCE/ $\overline{\text{DTE}}$ pins of each device to be connected to a single 4-wire control bus. The MXL1543 and MXL1544/MAX3175 provide internal pullups for the four lines, forcing them to the logic high state if they are not grounded. This allows interface-mode configuration by simply strapping the appropriate pins to ground in the interconnect cable.

In Figure 5, M1, M2 and DCE/ $\overline{\text{DTE}}$ are shorted to the cable ground, forcing logic LOW on these control lines. Input M0 is left floating and will be pulled HIGH by internal pullups on the MXL1543 and MXL1544/

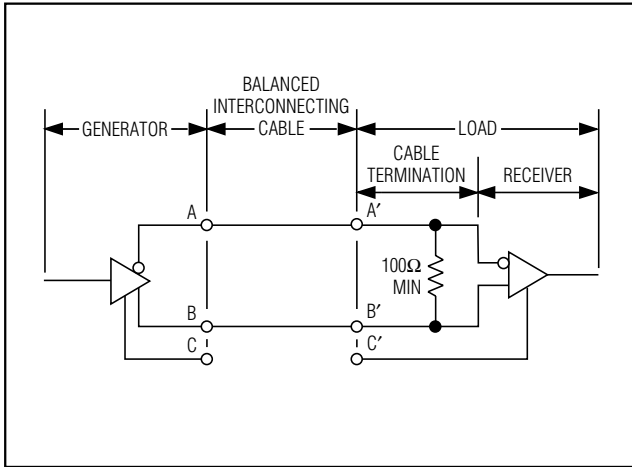


Figure 6. Typical V.11 Interface

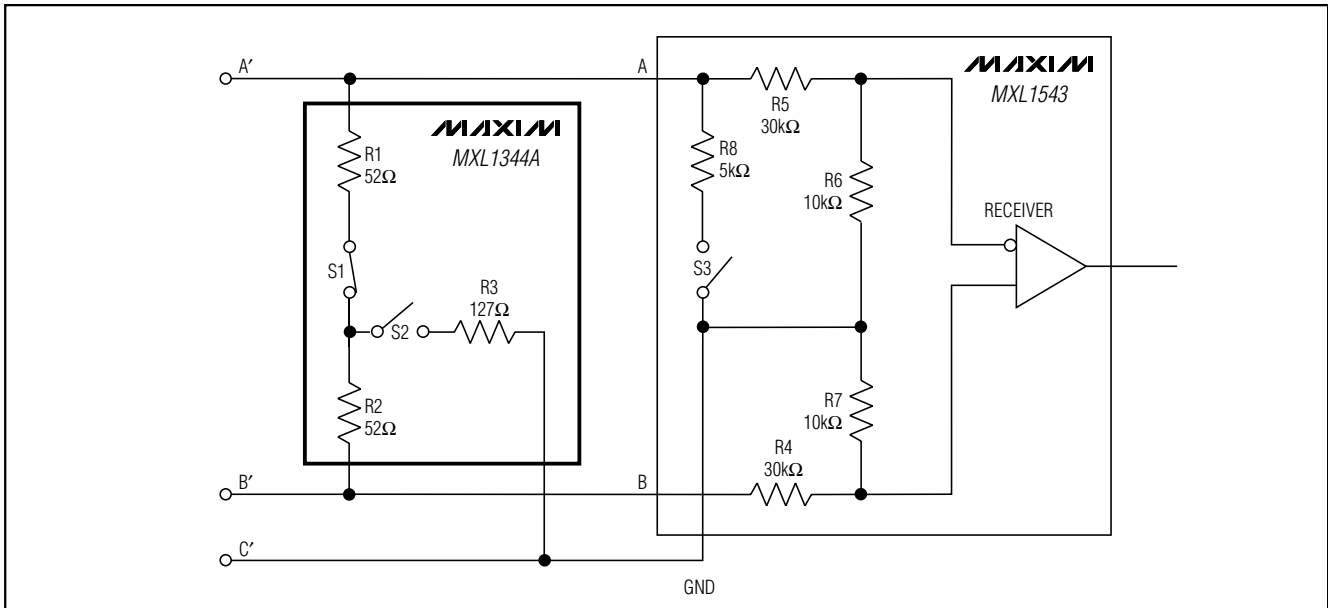


Figure 7. V.11 Termination and Internal Resistance Networks

+5V Multiprotocol, Software-Selectable Cable Terminator

MXL1344A

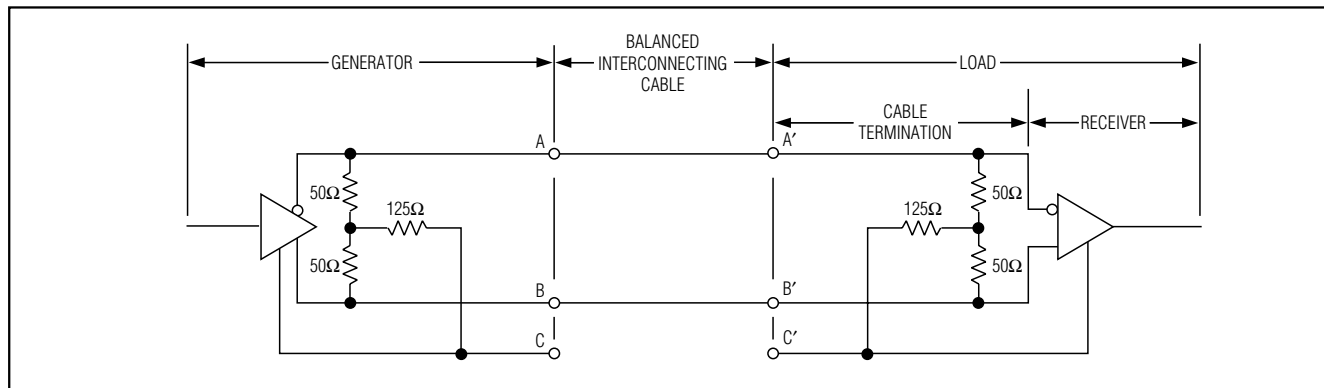


Figure 8. Typical V.35 Interface

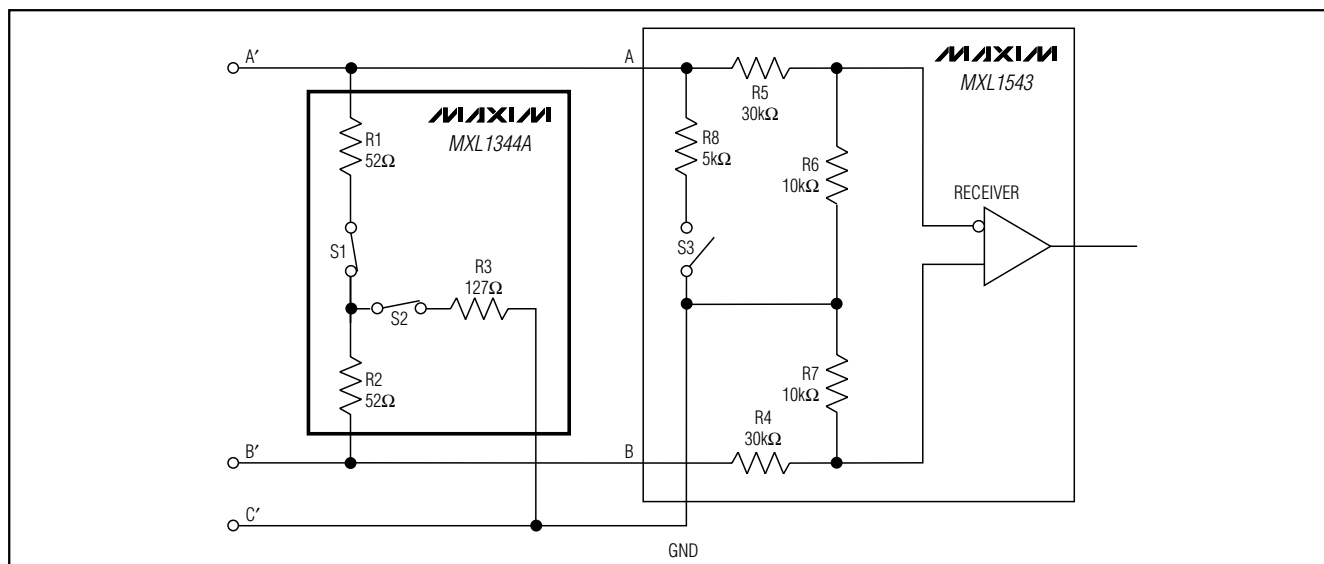


Figure 9. V.35 Termination and Internal Resistance Networks

MAX3175. With this cable wiring, the multiprotocol serial port is set in RS-530A DTE mode (Table 1).

V.11 Termination

A standard V.11 interface is shown in Figure 6. For high-speed data transmission, the V.11 specification recommends terminating the cable at the receiver with a 100Ω (min) resistor. The resistor, although not required, prevents reflections from corrupting transmitted data.

In Figure 7, the MXL1344A is used to terminate the V.11 receiver on the MXL1543. Internal to the MXL1344A, S1 is closed and S2 is open to present a 104Ω typical differential resistance and high-Z common-mode impedance. The MXL1543's internal V.28 termination is disabled by opening S3.

The V.11 specification allows for signals with common-mode variations of ±7V and differential signal amplitudes from 2V to 6V with data rates as high as 10Mbps. The MXL1344A maintains termination impedance between 100Ω and 110Ω over these conditions.

V.35 Termination

Figure 8 shows a standard V.35 interface. The generator and the load must both present a 100Ω ±10Ω differential impedance and a 150Ω ±15Ω common-mode impedance. The V.35 driver generates a current output (±11mA typ) that develops an output voltage between 440mV and 660mV across the load termination networks.

In Figure 9, the MXL1344A is used to implement the resistive T-network that is needed to properly terminate

+5V Multiprotocol, Software-Selectable Cable Terminator

the V.35 receiver. Internal to the MXL1344A, S1 and S2 are closed to connect the T-network resistors to the circuit.

The V.35 specification allows for $\pm 4V$ of ground difference between the V.35 generator and V.35 load, with data rates as high as 10Mbps. The MXL1344A maintains correct termination impedance over these conditions.

V.35 EMI reduction

For applications where EMI reduction is especially important, the MXL1344A termination networks provide a pin for shunting common-mode driver currents to GND. Mismatches between the driver A and B output propagation delays can create a common-mode disturbance on the cable. This common-mode energy can be shunted to GND by placing a 100pF capacitor to GND from the center tap of the T-network termination (R1C, R2C and R3C as shown in Figure 5).

V.28 Termination

Most industry-standard V.28 receivers (including the MXL1543) do not require external termination because the receiver includes an internal 5k Ω termination resistor. When the MXL1344A is placed in V.28 mode, all six of the termination networks are placed in a high-Z mode. In high-Z mode, the MXL1344A termination networks will not interfere with the MXL1543's internal 5k Ω termination.

In Figure 10, the MXL1344A and MXL1543 are placed in V.28 mode. Switches S1 and S2 are opened on the MXL1344A to place the network in high-Z mode. Switch S3 is closed on the MXL1543 to enable the 5k Ω terminating resistor.

A Complete X.21 Interface

A complete DTE-to-DCE interface operating in X.21 mode is shown in Figure 11. The MXL1344A terminates the V.11 clock and data signals. The MXL1543 carries the clock and data signals, and the MXL1544/MAX3175 carries the control signals. The control signals generally do not require external termination.

Compliance Testing

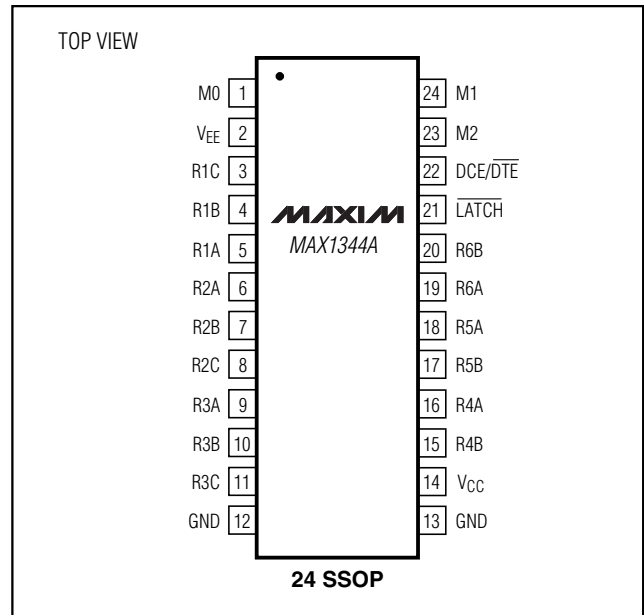
A European Standard EN 45001 test report for the MXL1543, MXL1544/MAX3175, and MXL1344A chipset will be available from Maxim upon completion of testing. Contact Maxim Quality Assurance for a copy of the report.

Chip Information

TRANSISTOR COUNT: 1,054

PROCESS TECHNOLOGY: BiCMOS

Pin Configuration



+5V Multiprotocol, Software-Selectable Cable Terminator

MXL1344A

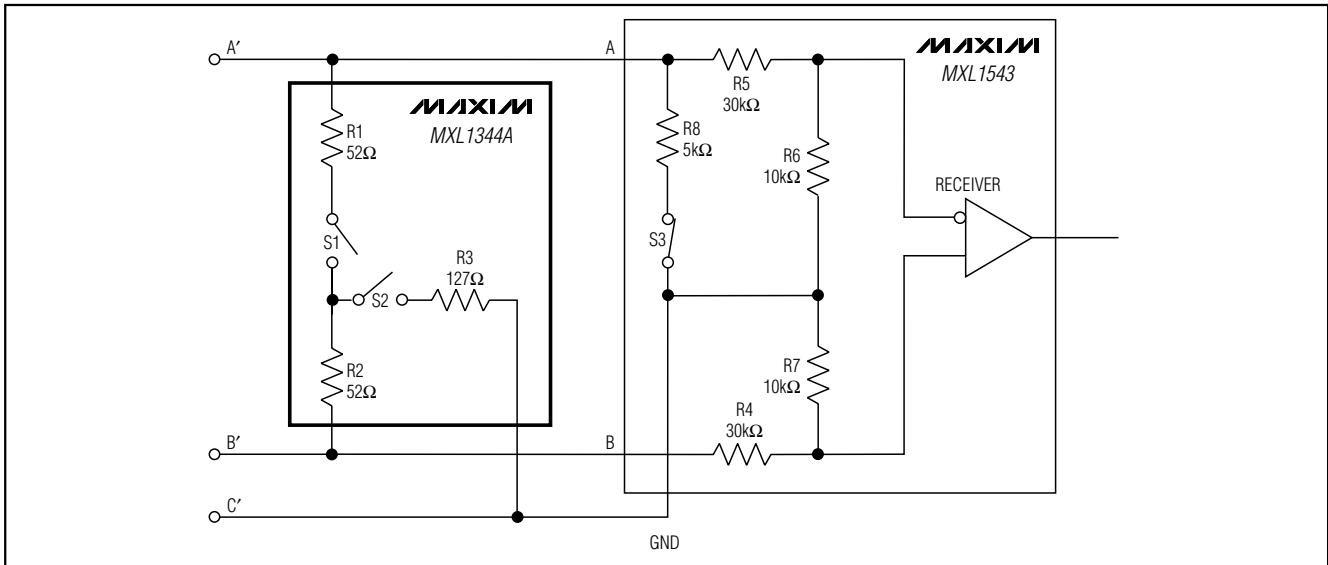


Figure 10. V.28 Termination and Internal Resistance Networks

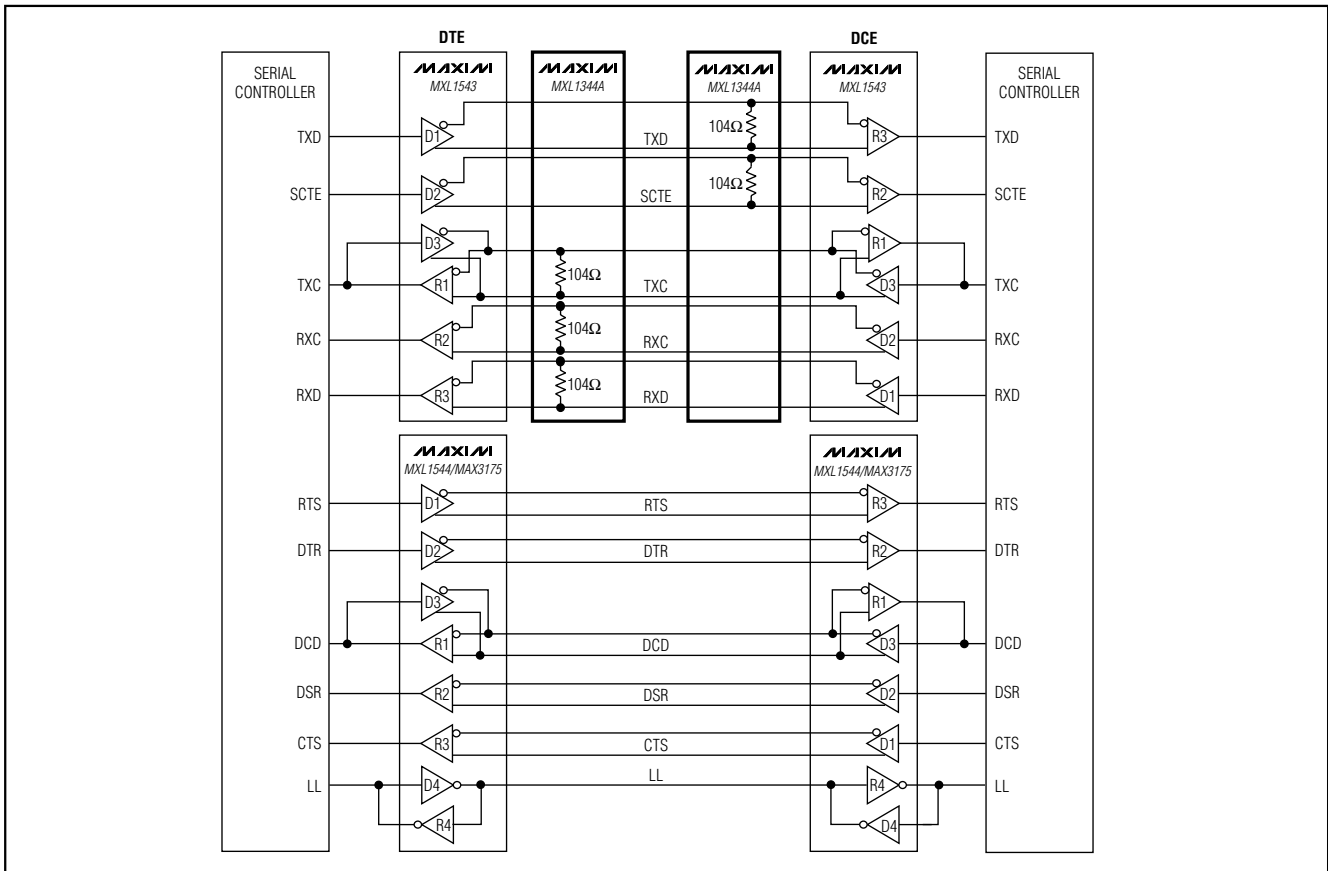


Figure 11. DTE-to-DCE X.21 Interface

MXL1344A

+5V Multiprotocol, Software-Selectable Cable Terminator

Package Information

DIM	INCHES		MILLIMETERS	
	MIN	MAX	MIN	MAX
A	0.068	0.078	1.73	1.99
A1	0.002	0.008	0.05	0.21
B	0.010	0.015	0.25	0.38
C	0.004	0.008	0.09	0.20
D	SEE VARIATIONS			
E	0.205	0.209	5.20	5.38
e	0.0256	BSC	0.65	BSC
H	0.301	0.311	7.65	7.90
L	0.025	0.037	0.63	0.95
α	0°	8°	0°	8°

D	INCHES		MILLIMETERS		
	MIN	MAX	MIN	MAX	
D	0.239	0.249	6.07	6.33	14L
D	0.239	0.249	6.07	6.33	16L
D	0.278	0.289	7.07	7.33	20L
D	0.317	0.328	8.07	8.33	24L
D	0.397	0.407	10.07	10.33	28L

NOTES:

1. D&E DO NOT INCLUDE MOLD FLASH.
2. MOLD FLASH OR PROTRUSIONS NOT TO EXCEED .15mm (.006")
3. CONTROLLING DIMENSION: MILLIMETER

SSOP:EPS

PROPRIETARY INFORMATION

TITLE: PACKAGE OUTLINE, SSOP, 5.3X.65mm

APPROVAL	DOCUMENT CONTROL NO.	REV	
	21-0056	A	1/1

Maxim cannot assume responsibility for use of any circuitry other than circuitry entirely embodied in a Maxim product. No circuit patent licenses are implied. Maxim reserves the right to change the circuitry and specifications without notice at any time.

12 _____ Maxim Integrated Products, 120 San Gabriel Drive, Sunnyvale, CA 94086 408-737-7600