



Chipsmall Limited consists of a professional team with an average of over 10 year of expertise in the distribution of electronic components. Based in Hongkong, we have already established firm and mutual-benefit business relationships with customers from,Europe,America and south Asia,supplying obsolete and hard-to-find components to meet their specific needs.

With the principle of “Quality Parts,Customers Priority,Honest Operation,and Considerate Service”,our business mainly focus on the distribution of electronic components. Line cards we deal with include Microchip,ALPS,ROHM,Xilinx,Pulse,ON,Everlight and Freescale. Main products comprise IC,Modules,Potentiometer,IC Socket,Relay,Connector.Our parts cover such applications as commercial,industrial, and automotives areas.

We are looking forward to setting up business relationship with you and hope to provide you with the best service and solution. Let us make a better world for our industry!



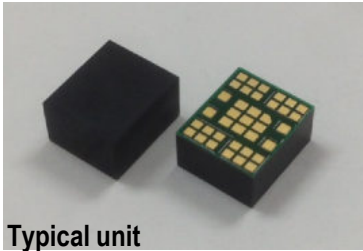
Contact us

Tel: +86-755-8981 8866 Fax: +86-755-8427 6832

Email & Skype: info@chipsmall.com Web: www.chipsmall.com

Address: A1208, Overseas Decoration Building, #122 Zhenhua RD., Futian, Shenzhen, China





Typical unit

FEATURES

- Programmable output voltage from 0.7-1.8Vdc
- Up to 20 Amps of output current
- Quick response to load change
- Ultra small surface mount package
10.5 x 9.0 x 5.6mm
- High efficiency of 89.2%(*FRSR),87.8%(*ERSR)
- Outstanding thermal derating performance
- Over current protection
- On/Off control (Positive logic)
- Power Good signal
- RoHS-6 hazardous substance compliance
- High Reliability / Heat Shock Testing
700cycle (-40 to +125degC)

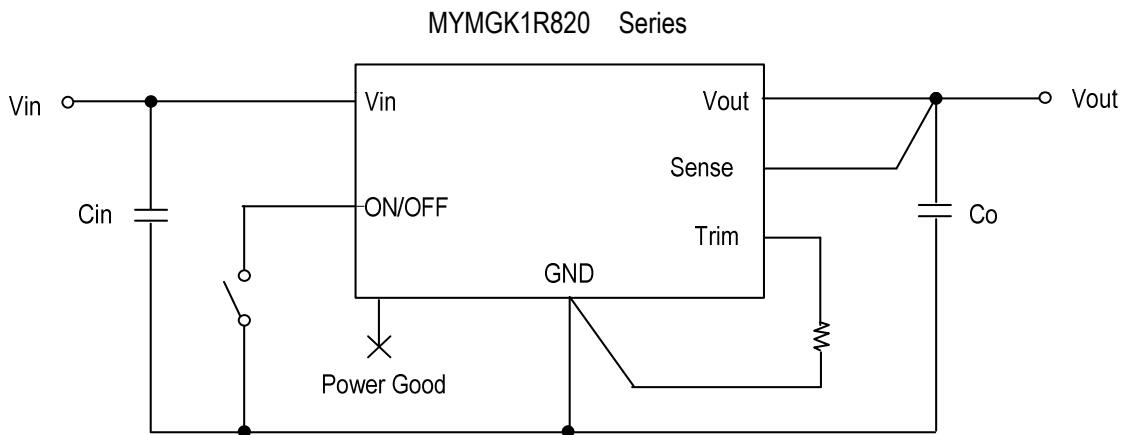
SIMPLIFIED APPLICATION

PRODUCT OVERVIEW

The **MYMGK1R820 series** are miniature Mono Block type non-isolated Point-of-Load (PoL) DC-DC power converters for embedded applications. The tiny form factor measures only 10.5 x 9.0 x 5.6 mm. Applications include powering FPGA/CPU's, datacom/telecom systems, Distributed Bus Architectures (DBA), programmable logic and mixed voltage systems.

The converters have input voltage ranges of 4.5 to 5.5Vdc(*FRSR) or 8.0 to 14Vdc(*ERSR) and a maximum output current of 20 Amps. Based on a fixed frequency synchronous buck converter switching topology, this high power conversion efficient PoL module features programmable output voltage 0.7 to 1.8V, On/Off control and Power Good signal output.

These converters also include under voltage lock out (UVLO), output short circuit protection and over-current protection.



MYMGK1R820FRSR

Cin : 47 μ F/10V × 2pcs

Co : 220 μ F/4V × 3pcs

MYMGK1R820ERSR

Cin : 22 μ F/25V × 2pcs

Co : 220 μ F/4V × 3pcs

(Typical topology is shown. Murata recommends an external fuse.)



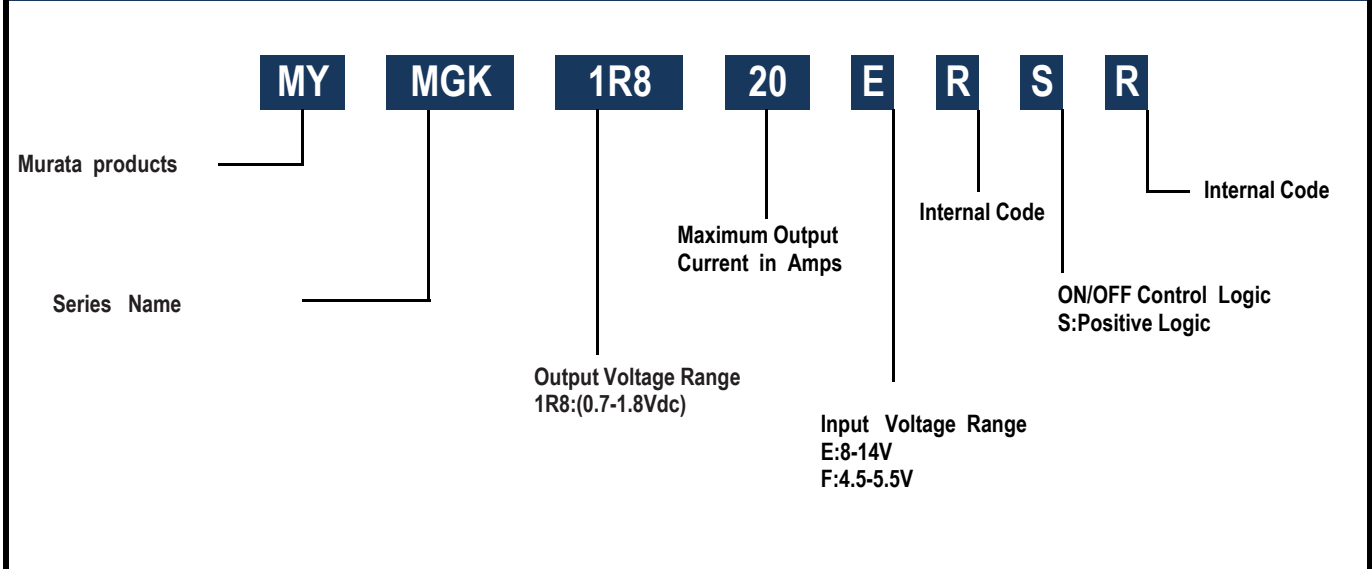
For full details go to
www.murata-ps.com/rohs

PERFORMANCE SPECIFICATIONS SUMMARY AND ORDERING GUIDE (Including series products)

PART NUMBER	OUTPUT						INPUT				Efficiency (%)	ON/OFF	PACKAGE (mm)
	Vout (Vdc)	Iout (Amps,max)	Power (Watts)	R/N typ (% of Vout)	Regulation(max)		Vin nom (Vdc)	Range (Vdc)	Iin no load (mA)	Iin full load (A)			
					Line(%)	Load(%)							
MYMGK1R820FRSR	0.7-1.8 (nom:1.8V)	20	36	0.8	±2.0	±1.0	5	4.5-5.5	100	8.1	89.2	Yes (Positive)	10.5*9.0*5.6
MYMGK1R820ERSR					±1.0	±1.0	12	8-14	50	3.5	87.8		

1. Please refer to the Part Number Structure for additional ordering information and options.
2. All specifications are at nominal line voltage, Vout=nominal and full load, +25degC unless otherwise noted. Output capacitors are 220uF*3 ceramic. Input cap is 22 uF*2 or 47uF*2 ceramic and plenty electrolytic capacitors. See detailed specifications. I/O caps are necessary for our test equipment.
3. Use adequate ground plane and copper thickness adjacent to the converter.

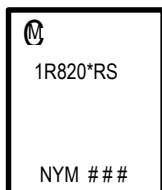
PART NUMBER STRUCTURE



Product Marking

Because of the small size of these products, the product marking contains a character-reduced code to indicate the model number and manufacturing date code. Not all items on the marking are always used. Please note that the marking differs from the product photograph. Here is the layout of the Marking.

Layout



Codes

- 1Pin Marking
- 1R820*RS Product code (Please see product code table beside)
- NYM ### Manufacturing data code

Part Number	Product Code
MYMGK1R820FRSR	1R820FRS
MYMGK1R820ERSR	1R820ERS

The manufacturing date code is six characters:
 First character - Factory code (Usually "N")
 Second character - Last digit of manufacturing Year
 For example "1" means "2011"
 Third character - Month code (1 through 9 and X through Z)
 Fourth -Sixth character - Internal lot-code

The marking contains three rows of information:

- First row – Product code
- Second row - Manufacturing data code

FUNCTIONAL SPECIFICATIONS OF MYMGK1R820FRSR (Note 1)

ABSOLUTE MAXIMUM RATINGS	Conditions	Minimum	Typical	Maximum	Units
Input Voltage		-0.3		6.5	Vdc
ON/OFF Pin	Power on, referred to -Vin	-0.3		Vin-1.5	Vdc
PGOOD/Trim Pins	Power on, referred to -Vin		Source ONLY		
Output Current See Note2	Current-limited, no damage, short-circuit protected	0		20	A
Storage Temperature Range	Vin = Zero (no power)	-40		125	°C
Absolute maximums are stress ratings. Exposure of devices to greater than any of these conditions may adversely affect long-term reliability. Proper operation under conditions other than those listed in the Performance/Functional Specifications Table is not implied or recommended.					
INPUT	Conditions	Minimum	Typical	Maximum	Units
Operating Voltage Range	Note9	4.5	5	5.5	Vdc
Start-up threshold	Rising input voltage		4.3		Vdc
Undervoltage shutdown	Note 13		4.1		Vdc
Overvoltage shutdown			Vo*120%		Vdc
Internal Filter Type			Capacitive		
Input current					
Full Load Conditions	Vin = nominal		8.1		A
Low Line	Vin = minimum		9		A
No Load Current	Iout = minimum, unit = ON		100		mA
Shut-Down Mode Input Current			1		mA
GENERAL and SAFETY	Conditions	Minimum	Typical	Maximum	Units
Efficiency	Vin =5V, Vout = 1.8V, Io=20A		89.2		%
	Vin=5V,Vout=1.0V,Io=20A		84.1		
Safety	Certified to UL-60950-1, CSA-C22.2 No. 60950-1, IEC/EN60950-1, 2nd edition(pending)		Pending		
Calculated MTBF (Note 3)	Ta=40degC,Vin=nom,Vo=nom,Io=50%		3,800,000		Hours
DYNAMIC CHARACTERISTICS	Conditions	Minimum	Typical	Maximum	Units
Fixed Switching Frequency			500		kHz
Startup Time (Vin ON)	Vout=nominal (Vin On to 90% of Vo)		1.4		mS
Startup Time (Remote ON)	Vout=nominal (Remote On to 90% of Vo)		1.4		mS
Dynamic Load Response	(50-100% load step, di/dt)		2.5		A/μSec
Dynamic Load Peak Deviation	same as above		±3.0%		Voset
FUNCTIONS	Conditions	Minimum	Typical	Maximum	Units
Remote On/Off Control (Note 4)					
Logic					
ON state	ON = +1.8Vmin. to +Vin-1.5V max. or leve open	1.8		Vin-1.5	V
OFF state	OFF =-0.3V to +0.6V.max.	-0.3		0.6	V
Control Current	Open collector/drain			-	mA
Power-Good Output (Pulled up to 5.0Vreg(TYP) internally)					
PGood TRUE (HI)			(Voset *95%) < Vout < (Voset *113%)		V
PGood FALSE (LO)			Out of above range		V

FUNCTIONAL SPECIFICATIONS OF MYMGK1R820FRSR (Note 1)

OUTPUT	Conditions	Minimum	Typical	Maximum	Units
Total Output Power	See Derating	0		36	W
Voltage					
Output Voltage Range	Note 9,11	0.7		1.8	Vdc
Minimum Loading			None		
Accuracy (50% load, untrimmed)	Vin = nom., Vout = nom., Cout=660uF, Ta=25degC	±1.0%			Vdc
Oversvoltage Protection	Note 14	>120%Vnom(latch until recovered)			Vdc
Undervoltage Protection		<70%Vnom(Hiccup)			Vdc
Current					
Output Current Range	Note 2	0		20	A
Current Limit Inception	98% of Vnom., after warmup		30		A
Short Circuit					
Short Circuit Duration (remove short for recovery)	Output shorted to ground, no damage		Continuous		
Short circuit protection method	Note 5		Hiccup		
Prebias Start-up		Converter will start up if the external output voltage is less than Vnominal.			
Regulation (Note8)					
Line Regulation	Vin = min. to max., Vout = nom., Iout = nom.			±2.0	% of Vout
Ripple and Noise (20MHz bandwidth)	Note 6			30	mV pk-pk
External Output Capacitance (Note 12)		660		5000	µF
MECHANICAL(Common)					
	Conditions	Minimum	Typical	Maximum	Units
Mechanical Dimension	W*D*H	10.5(typ)x9.0(typ)x5.6(max)			mm
Weight			1.65		Grams
ENVIRONMENTAL(Common)					
	Conditions	Minimum	Typical	Maximum	Units
Operating Ambient Temperature Range	With Derating (Note 2,7)	-40		85	°C
Storage Temperature	Vin = Zero (no power)	-40		125	°C
Thermal Protection/Shutdown	Measured in center(Note10)		145		°C
Moisture Sensitivity Level		3			
RoHS rating			RoHS-6		

FUNCTIONAL SPECIFICATIONS OF MYMGK1R820ERSR (Note 1)

ABSOLUTE MAXIMUM RATINGS	Conditions	Minimum	Typical	Maximum	Units
Input Voltage		-0.3		16	Vdc
ON/OFF Pin	Power on, referred to -Vin	-0.3		6.3	Vdc
PGOOD/Trim Pins	Power on, referred to -Vin		Source ONLY		
Output Current	Current-limited, no damage, short-circuit protected	0		20	A
Storage Temperature Range	Vin = Zero (no power)	-40		125	°C
Absolute maximums are stress ratings. Exposure of devices to greater than any of these conditions may adversely affect long-term reliability. Proper operation under conditions other than those listed in the Performance/Functional Specifications Table is not implied or recommended.					
INPUT	Conditions	Minimum	Typical	Maximum	Units
Operating Voltage Range	Note9	8	12	14	Vdc
Start-up threshold	Rising input voltage		4.3		Vdc
Undervoltage shutdown	Note 13		4.1		Vdc
Overvoltage shutdown			Vo*120%		Vdc
Internal Filter Type			Capacitive		
Input current					
Full Load Conditions	Vin = nominal		3.5		A
Low Line	Vin = minimum		5.2		A
No Load Current	Iout = minimum, unit = ON		50		mA
Shut-Down Mode Input Current			1		mA
GENERAL and SAFETY	Conditions	Minimum	Typical	Maximum	Units
Efficiency	Vin =12V, Vout = 1.8V, Io=20A		87.8		%
	Vin=12V,Vout=1.0V,Io=20A		81.5		
Safety	Certified to UL-60950-1, CSA-C22.2 No. 60950-1, IEC/EN60950-1, 2nd edition(pending)		Pending		
Calculated MTBF (Note 3)	Ta=40degC, Vin=nom,Vo=nom,Io=50%		2,100,000		Hours
DYNAMIC CHARACTERISTICS	Conditions	Minimum	Typical	Maximum	Units
Fixed Switching Frequency			500		kHz
Startup Time (Vin ON)	Vout=nominal (Vin On to 90% of Vo)		1.4		mS
Startup Time (Remote ON)	Vout=nominal (Remote On to 90% of Vo)		1.4		mS
Dynamic Load Response	(50-100% load step, di/dt)		2.5		A/μSec
Dynamic Load Peak Deviation	same as above		±3.0%		Voset
FUNCTIONS	Conditions	Minimum	Typical	Maximum	Units
Remote On/Off Control (Note 4)					
Logic					
ON state	ON = +1.8Vmin. to +6.3V max. or left open	1.8		6.3	V
OFF state	OFF =-0.3V to +0.6V.max.	-0.3		0.6	V
Control Current	Open collector/drain			-	mA
Power-Good Output (Pulled up to 5.0Vreg(TYP) internally)					
PGood TRUE (HI)			(Vnom*95%) < Vout < (Vnom *113%)		
PGood FALSE (LO)			Out of above range		

FUNCTIONAL SPECIFICATIONS OF MYMGK1R820ERSR (Note 1)

OUTPUT	Conditions	Minimum	Typical	Maximum	Units
Total Output Power	See Derating	0		36	W
Voltage					
Output Voltage Range	Note 9,11	0.7		1.8	Vdc
Minimum Loading			None		
Accuracy (50% load, untrimmed)	Vin = nom., Vout = nom., Cout=660uF, Ta=25degC	±1.0%			Vdc
Oversvoltage Protection	Note 14	>120%Vnom(latch until recovered)			Vdc
Undervoltage Protection		<70%Vnomt(Hiccup)			Vdc
Current					
Output Current Range	Note 2	0		20	A
Current Limit Inception	98% of Vnom., after warmup		30		A
Short Circuit					
Short Circuit Duration (remove short for recovery)	Output shorted to ground, no damage		Continuous		
Short circuit protection method	Note 5		Hiccup		
Prebias Start-up		Converter will start up if the external output voltage is less than Vnominal.			
Regulation (Note8)					
Line Regulation	Vin = min. to max., Vout = nom., Iout = nom.			±1.0	% of Vout
Ripple and Noise (20MHz bandwidth)	Note 6			30	mV pk-pk
External Output Capacitance(Note 12)		660		5000	µF

Specification Notes

(1) Specifications are typical at +25degC, Vin=nominal +5.0V(MYMGK1R820FRSR) or +12V.(MYMGK1R820ERSR), Vout=nominal (+1.8V), full load, external caps and natural convection unless otherwise indicated. Extended tests at full power must supply substantial natural airflow. All models are tested and specified with external 220uF*3 ceramic output capacitors and a 22 uF*2 (for MYMGK1R820ERSR) or 47uF*2(for MYMGK1R820FRSR) ceramic and plenty electrolytic external input capacitors. All capacitors are low ESR types. These capacitors are necessary to accommodate our test equipment and may not be required to achieve specified performance in your applications. However, Murata recommends installation of these capacitors. All models are stable and regulate within spec under no-load conditions.

(2) Note that Maximum Power Derating curves indicate an average current at nominal input voltage. At higher temperatures and/or lower airflow, the DC/DC converter will tolerate brief full current outputs if the total RMS current over time does not exceed the Derating curve.

(3) Mean Time Between Failure is calculated using the MIL-HDBK-217, Tpcbboard = +40degC, half output load, natural air convection.

(4) The On/Off Control Input should use either a switch or an open collector/open drain transistor referenced to Input Common. A logic gate may also be used by applying appropriate external voltages which do not exceed +Vin

(5) "Hiccup" overcurrent operation repeatedly attempts to restart the converter with a brief, full-current output. If the overcurrent condition still exists, the restart current will be removed and then tried again. This short current pulse prevents overheating and damaging the converter. Once the fault is removed, the converter immediately recovers normal operation.

(6) Output noise may be further reduced by adding an external filter. At zero output current, the output may contain low frequency components which exceed the ripple specification. The output may be operated indefinitely with no load.

(7) All models are fully operational and meet published specifications, including "cold start" at -40degC.

(8) Regulation specifications describe the deviation as the line input voltage or output load current is varied from a nominal midpoint value to either extreme.

(9) Other input or output voltage ranges will be reviewed under scheduled quantity special order.

(10) Maximum PC board temperature is measured with the sensor in the center of the converter.

(11) Do not exceed maximum power specifications when adjusting the output trim.

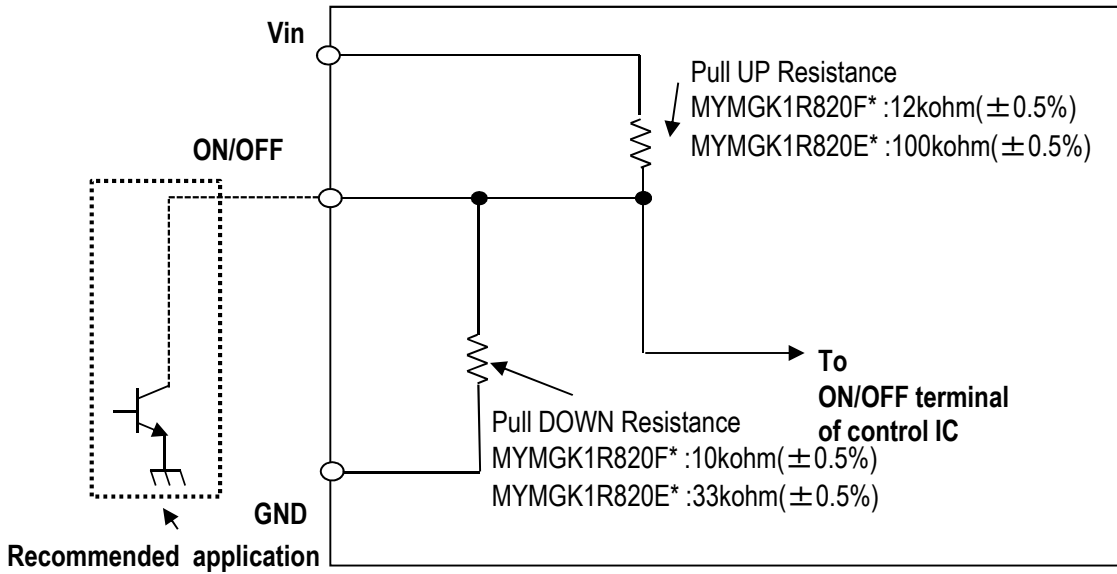
(12) The maximum output capacitive loads depend on the Equivalent Series Resistance (ESR) of the external output capacitor and, to a lesser extent, the distance and series impedance to the load. Larger caps will reduce output noise but may change the transient response. Newer ceramic caps with very low ESR may require lower capacitor values to avoid instability. Thoroughly test your capacitors in the application. Please refer to the Output Capacitive Load Application Note.

(13) Do not allow the input voltage to degrade lower than the input under voltage shutdown voltage at all times. Otherwise, you risk having the converter turn off. The under voltage shutdown is not latching and will attempt to recover when the input is brought back into normal operating range.

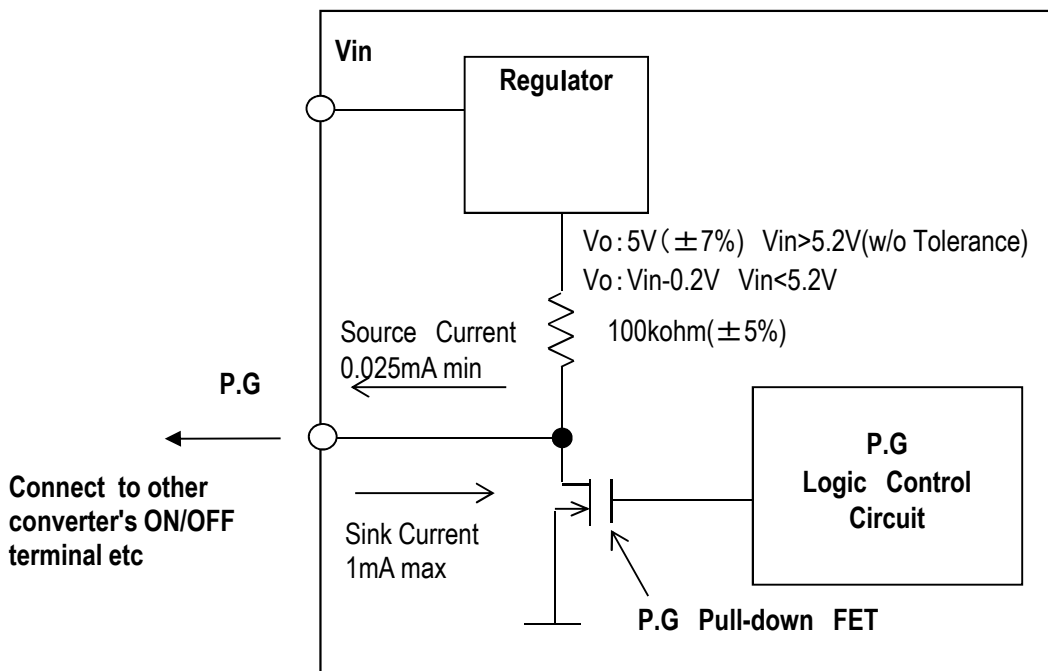
(14) The outputs are not intended to sink appreciable reverse current.

Internal Circuit Diagrams

ON/OFF internal circuit diagram and using guide

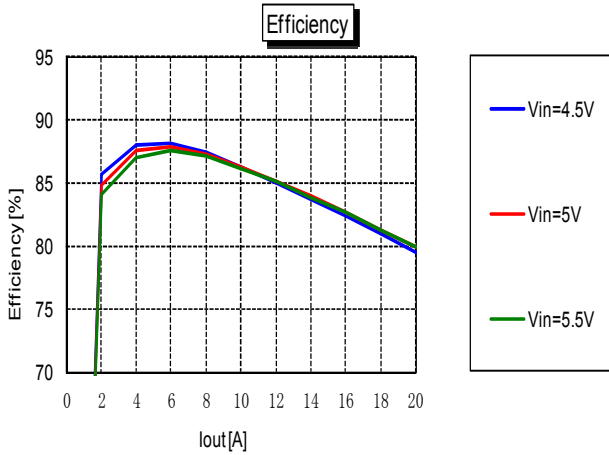


PowerGood(P.G) internal circuit diagram and using guide

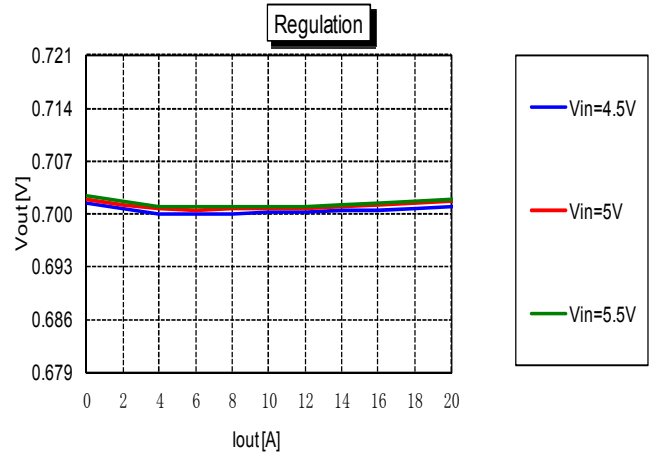


PERFORMANCE DATA AND OSCILLOGRAMS OF MYMGK1R820FRSR

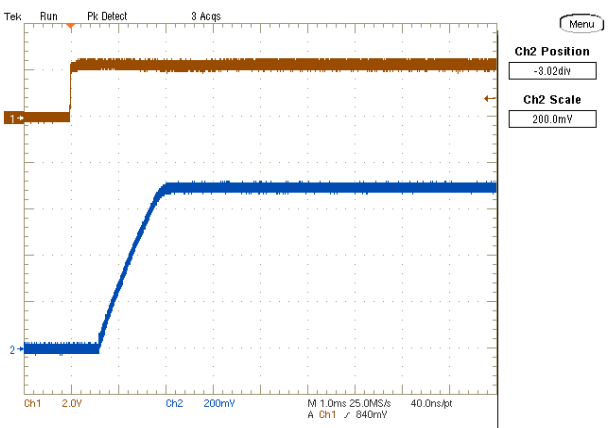
Efficiency vs. Line Voltage and Load Current @ +25° C. (Vout = 0.7V)



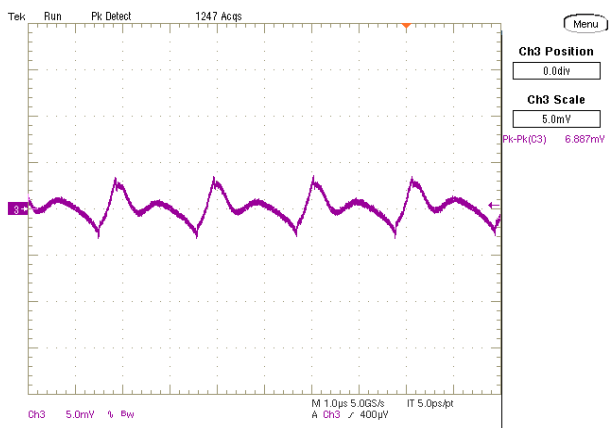
Vout vs. Line Voltage and Load Current @ +25° C. (Vout = 0.7V)



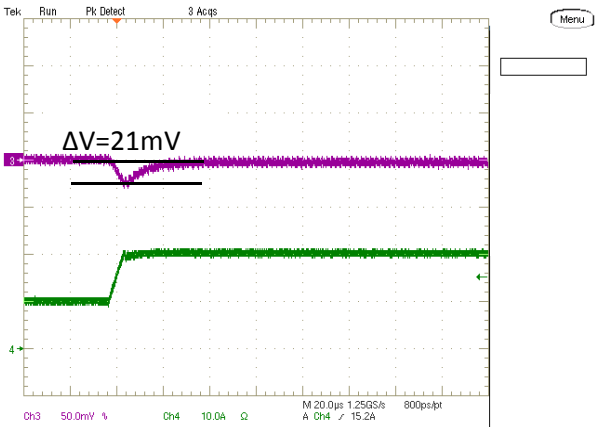
On/Off Enable Delay (Vin=5.0V, Vout=0.7V, Iout=20A, Load=660uF)
Trace1=Enable, Trace2=Vout



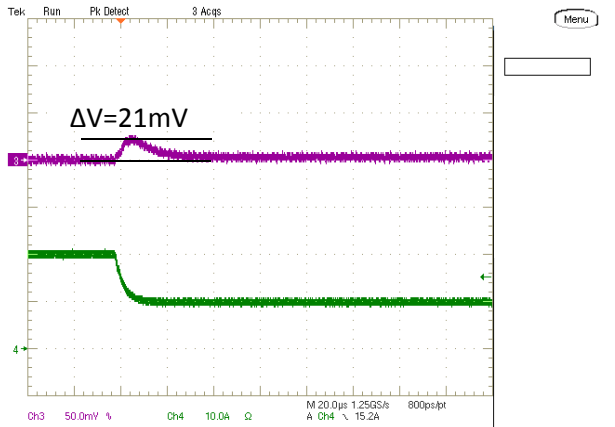
Output Ripple and Noise (Vin=5.0V, Vout=0.7V, Iout=20A, Load=660uF, ScopeBW=20MHz)



Step Load Transient Response (Vin=5.0V, Vout=0.7V, Load=660uF,
Iout=10A to 20A, 2.5A/us) Trace 3=Vout, 50 mV/div, Trace 4=Iout, 10A/div.

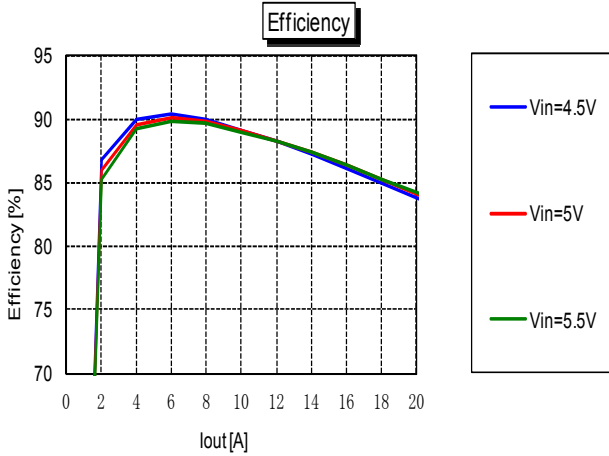


Step Load Transient Response (Vin=5.0V, Vout=0.7V, Load=660uF,
Iout=20A to 10A, 2.5A/us) Trace 3=Vout, 50 mV/div, Trace 4=Iout, 10A/div.

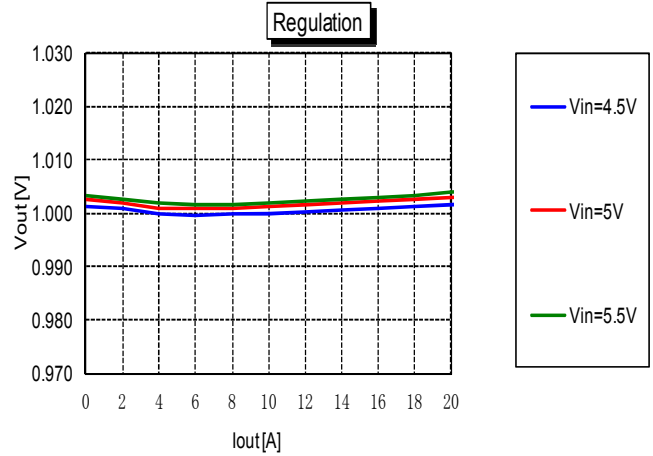


PERFORMANCE DATA AND OSCILLOGRAMS OF MYMGK1R820FRSR

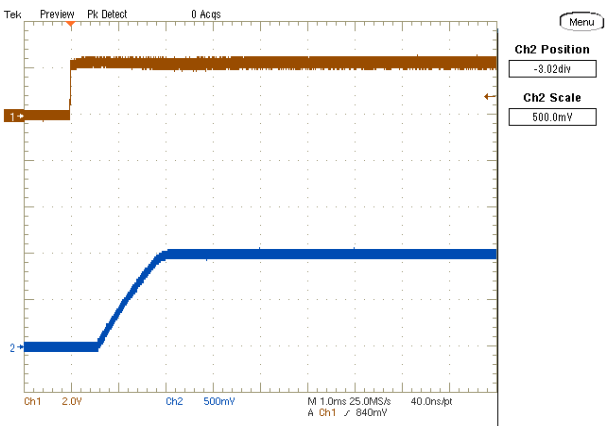
Efficiency vs. Line Voltage and Load Current @ +25° C. (Vout = 1.0V)



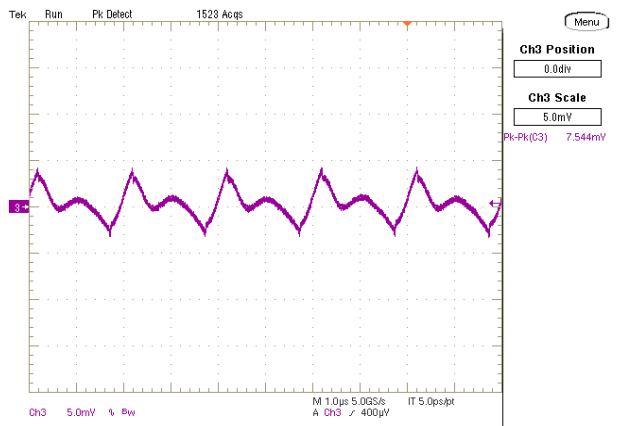
Vout vs. Line Voltage and Load Current @ +25° C. (Vout = 1.0V)



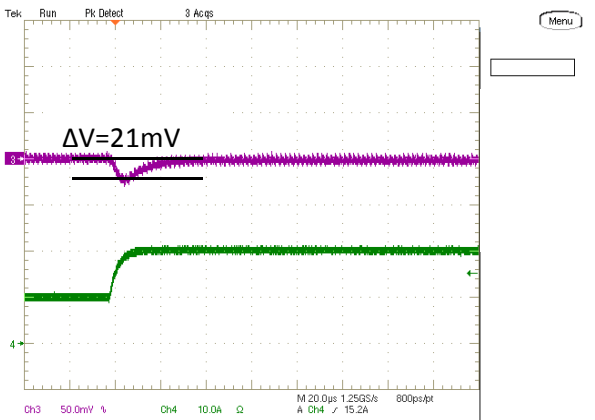
On/Off Enable Delay (Vin=5.0V, Vout=1.0V, Iout=20A, Load=660uF)
Trace1=Enable, Trace2=Vout



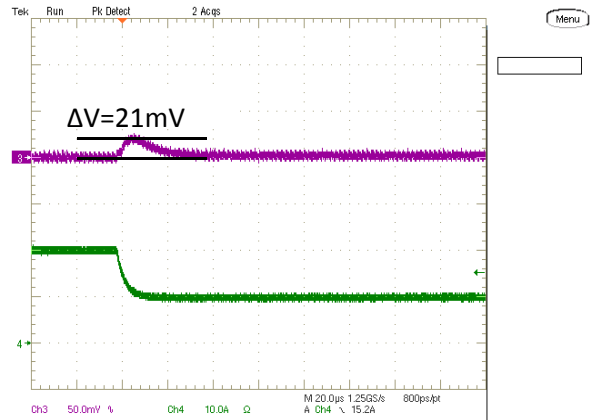
Output Ripple and Noise (Vin=5.0V, Vout=1.0V, Iout=20A, Load=660uF, ScopeBW=20MHz)



Step Load Transient Response (Vin=5.0V, Vout=1.0V, Load=660uF,
Iout=10A to 20A, 2.5A/us) Trace 3=Vout, 50 mV/div, Trace 4=Iout, 10A/div.

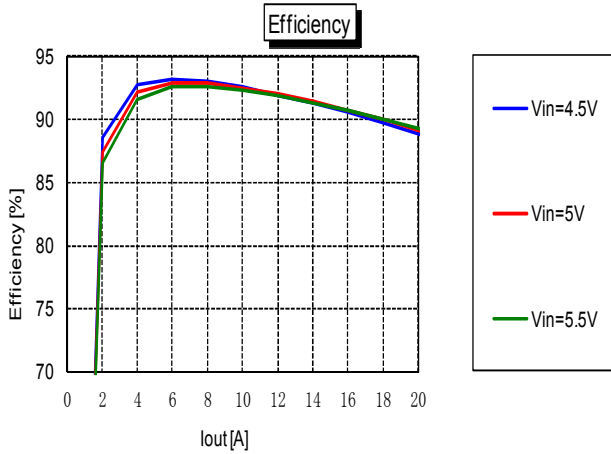


Step Load Transient Response (Vin=5.0V, Vout=1.0V, Load=660uF,
Iout=20A to 10A, 2.5A/us) Trace 3=Vout, 50 mV/div, Trace 4=Iout, 10A/div.

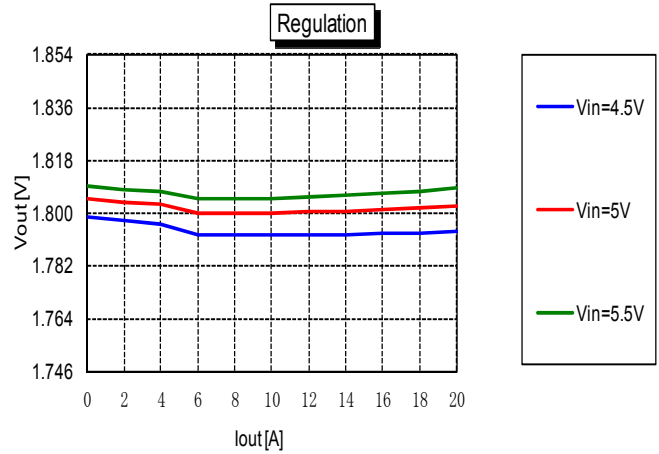


PERFORMANCE DATA AND OSCILLOGRAMS OF MYMGK1R820FRSR

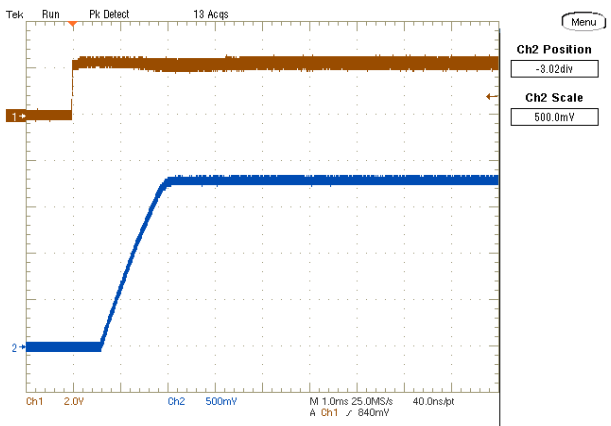
Efficiency vs. Line Voltage and Load Current @ +25° C. (Vout = 1.8V)



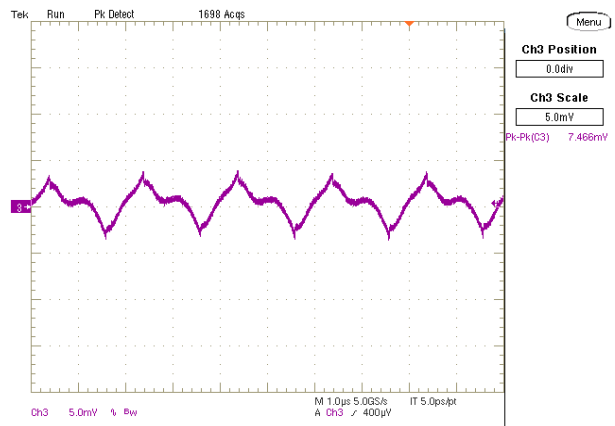
Vout vs. Line Voltage and Load Current @ +25° C. (Vout = 1.8V)



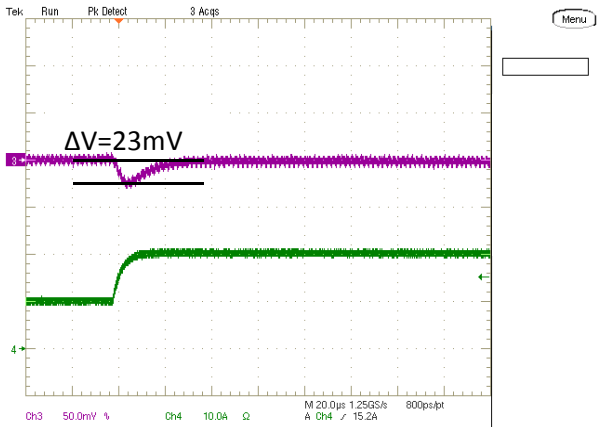
On/Off Enable Delay (Vin=5.0V, Vout=1.8V, Iout=20A, Load=660uF)
Trace1=Enable, Trace2=Vout



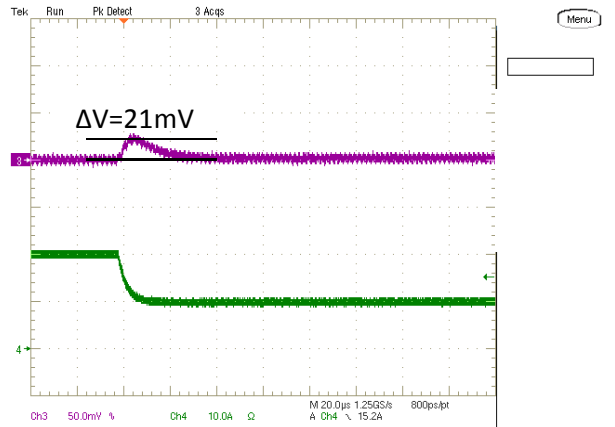
Output Ripple and Noise (Vin=5.0V, Vout=1.8V, Iout=20A, Load=660uF, ScopeBW=20MHz)



Step Load Transient Response (Vin=12V, Vout=1.8V, Load=660uF,
Iout=10A to 20A, 2.5A/us) Trace 3=Vout, 50 mV/div, Trace 4=Iout, 10A/div.

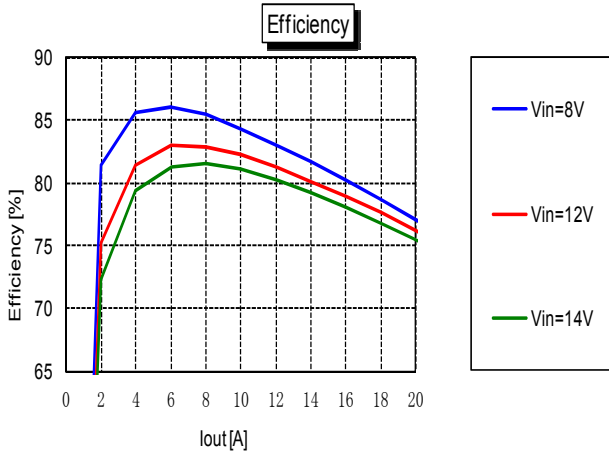


Step Load Transient Response (Vin=12V, Vout=1.8V, Load=660uF,
Iout=20A to 10A, 2.5A/us) Trace 3=Vout, 50 mV/div, Trace 4=Iout, 10A/div.

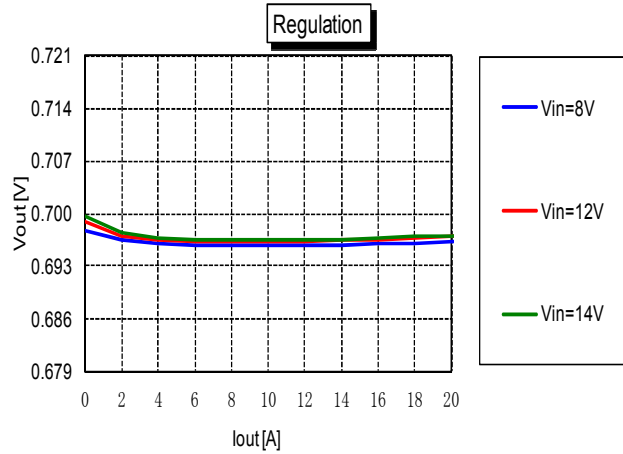


PERFORMANCE DATA AND OSCILLOGRAMS OF MYMGK1R820ERSR

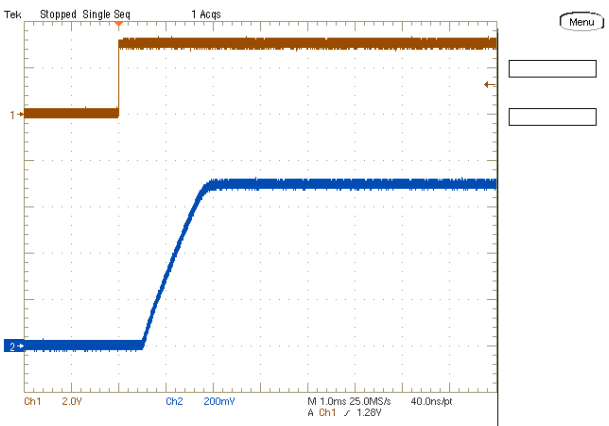
Efficiency vs. Line Voltage and Load Current @ +25° C. (Vout = 0.7V)



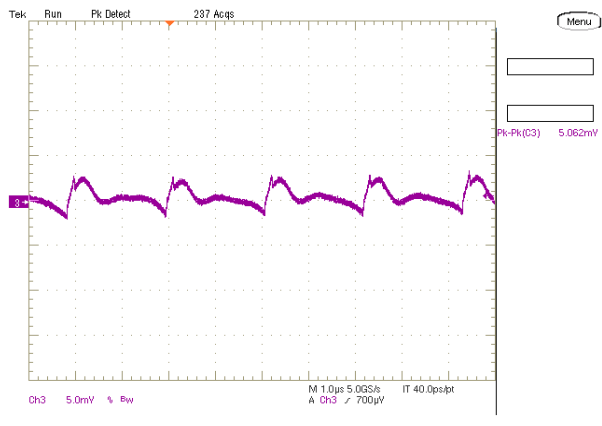
Vout vs. Line Voltage and Load Current @ +25° C. (Vout = 0.7V)



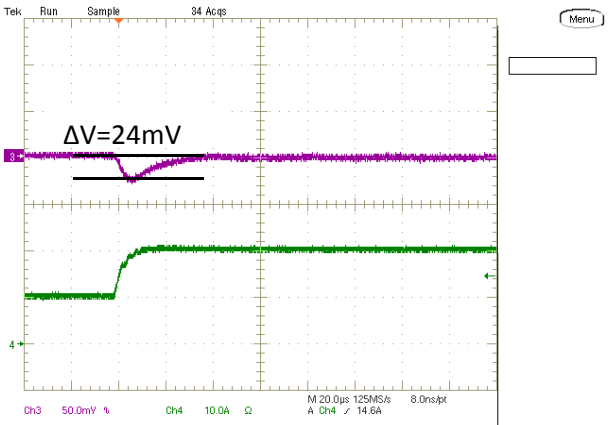
On/Off Enable Delay (Vin=12V, Vout=0.7V, Iout=20A, Cload=660uF)
Trace1=Enable, Trace2=Vout



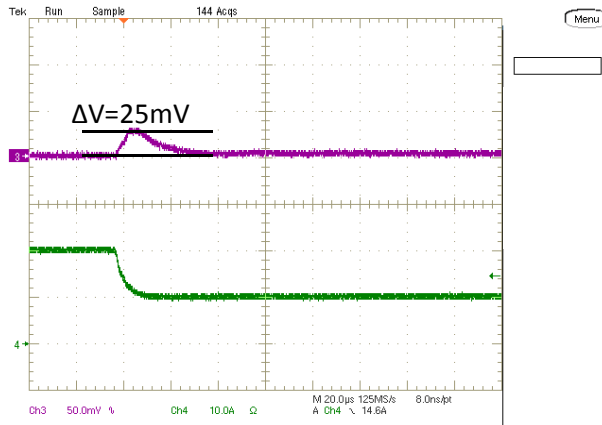
Output Ripple and Noise (Vin=12V, Vout=0.7V, Iout=20A, Cload=660uF, ScopeBW=20MHz)



Step Load Transient Response (Vin=12V, Vout=0.7V, Cload=660uF,
Iout=10A to 20A, 2.5A/us) Trace 3=Vout, 50 mV/div, Trace 4=Iout, 10A/div.

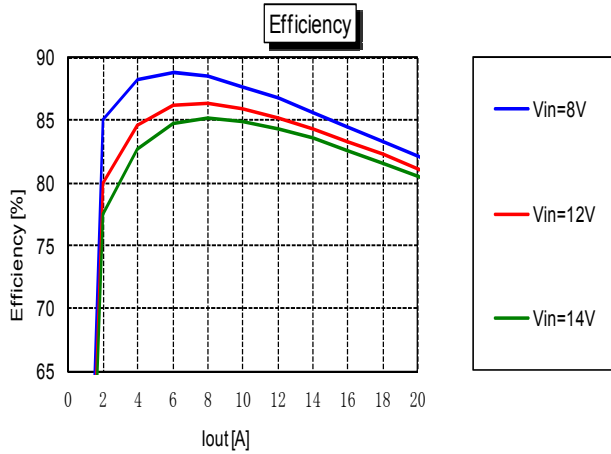


Step Load Transient Response (Vin=12V, Vout=0.7V, Cload=660uF,
Iout=20A to 10A, 2.5A/us) Trace 3=Vout, 50 mV/div, Trace 4=Iout, 10A/div.

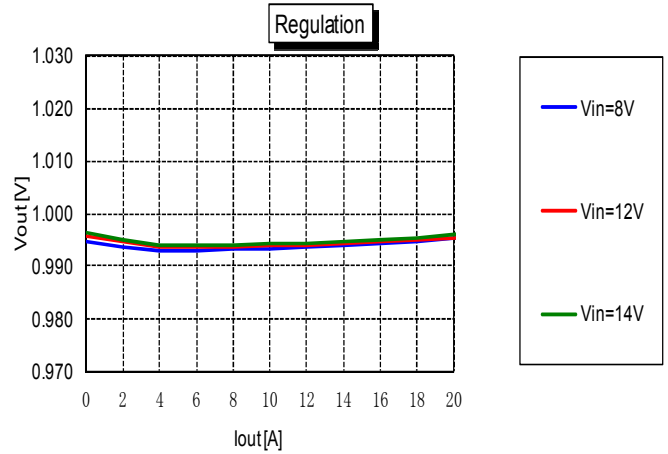


PERFORMANCE DATA AND OSCILLOGRAMS OF MYMGK1R820ERSR

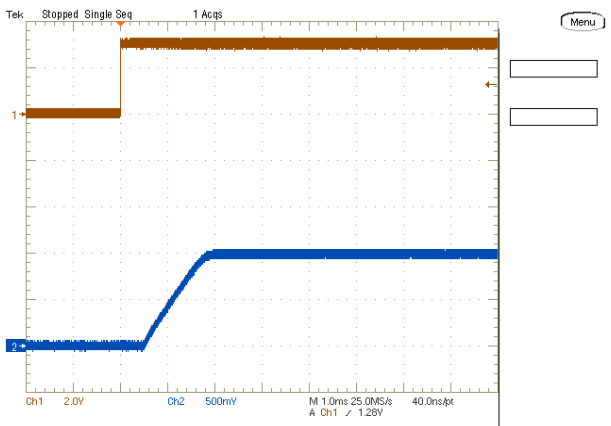
Efficiency vs. Line Voltage and Load Current @ +25° C. (Vout = 1.0V)



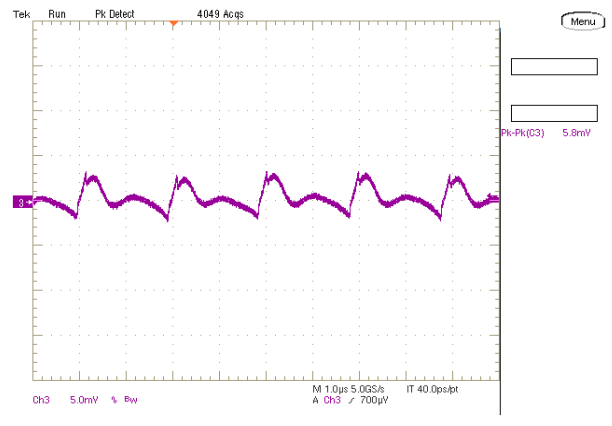
Vout vs. Line Voltage and Load Current @ +25° C. (Vout = 1.0V)



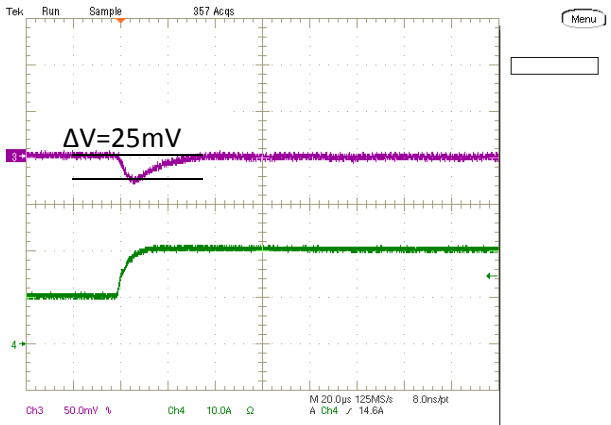
On/Off Enable Delay (Vin=12V, Vout=1.0V, Iout=20A, Cload=660uF)
Trace1=Enable, Trace2=Vout



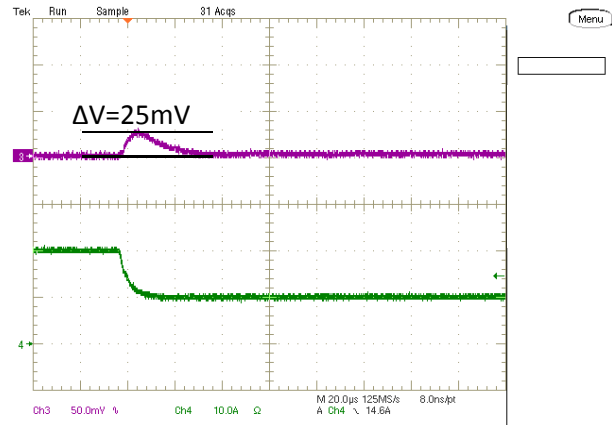
Output Ripple and Noise (Vin=12V, Vout=1.0V, Iout=20A, Cload=660uF, ScopeBW=20MHz)



Step Load Transient Response (Vin=12V, Vout=1.0V, Cload=660uF,
Iout=10A to 20A, 2.5A/us) Trace 3=Vout, 50 mV/div, Trace 4=Iout, 10A/div.

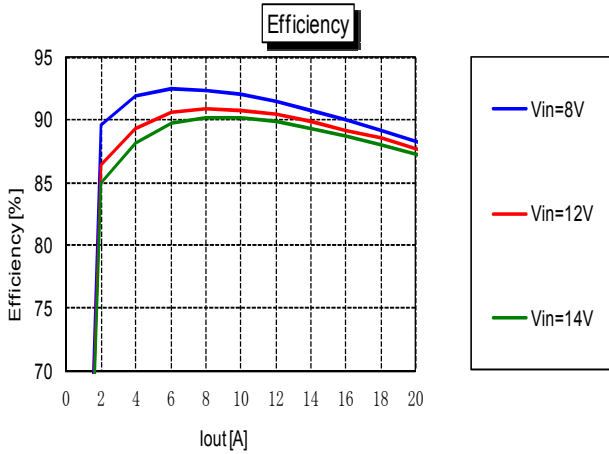


Step Load Transient Response (Vin=12V, Vout=1.0V, Cload=660uF,
Iout=20A to 10A, 2.5A/us) Trace 3=Vout, 50 mV/div, Trace 4=Iout, 10A/div.

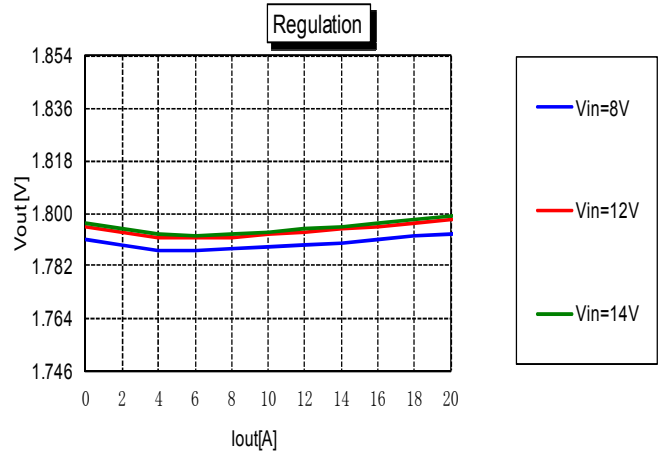


PERFORMANCE DATA AND OSCILLOGRAMS OF MYMGK1R820ERSR

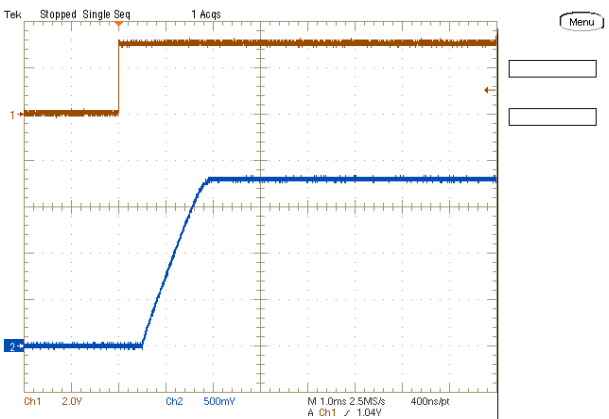
Efficiency vs. Line Voltage and Load Current @ +25° C. (Vout = 1.8V)



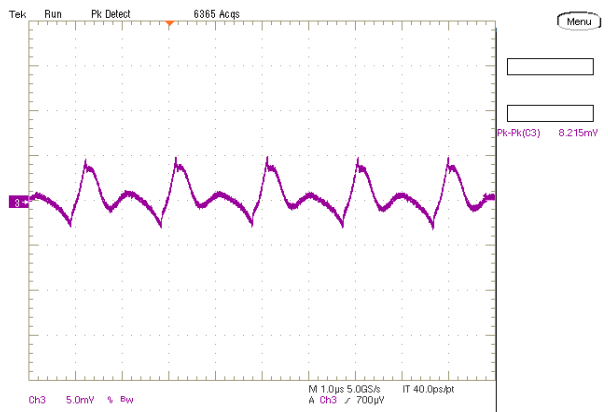
Vout vs. Line Voltage and Load Current @ +25° C. (Vout = 1.8V)



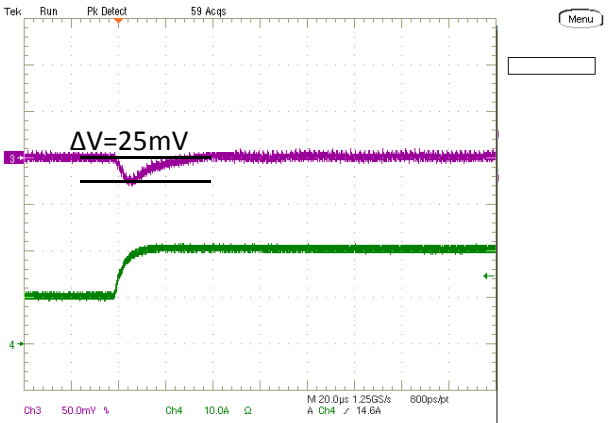
On/Off Enable Delay (Vin=12V, Vout=1.8V, Iout=20A, Cload=660uF)
Trace1=Enable, Trace2=Vout



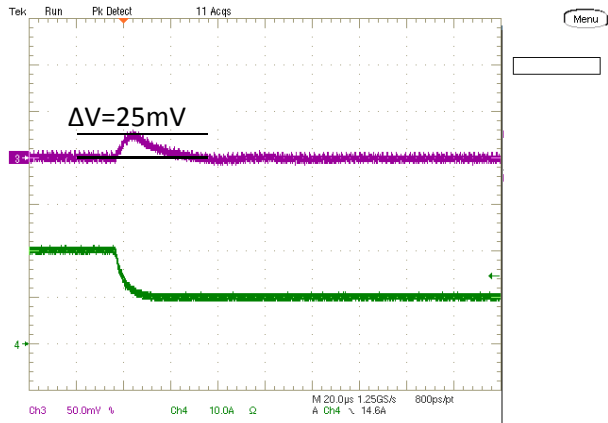
Output Ripple and Noise (Vin=12V, Vout=1.8V, Iout=20A, Cload=660uF, ScopeBW=20MHz)



Step Load Transient Response (Vin=12V, Vout=1.8V, Cload=660uF,
Iout=10A to 20A, 2.5A/us) Trace 3=Vout, 50 mV/div, Trace 4=Iout, 10A/div.



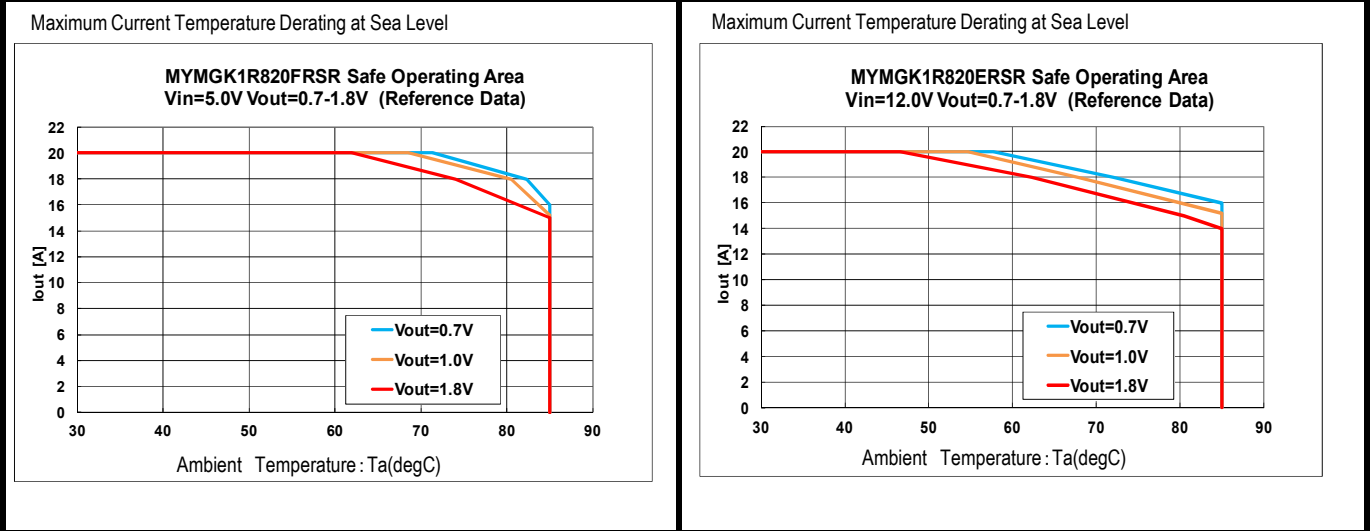
Step Load Transient Response (Vin=12V, Vout=1.8V, Cload=660uF,
Iout=20A to 10A, 2.5A/us) Trace 3=Vout, 50 mV/div, Trace 4=Iout, 10A/div.



THERMAL DERATINGS OF MYMGK1R820FRSR & MYMGK1R820ERSR

MYMGK1R820FRSR

MYMGK1R820ERSR



Thermal deratings are evaluated in following condition.

- Two products are mounted on 60.0mm*50.8mm*1.6mm (4 Layer, 1oz copper each)FR-4 board respectively.
- No forced air flow.

TRANSIENT RESPONSE DATAS OF MYMGK1R820FRSR & MYMGK1R820ERSR

Transient response datas at various conditions are showed in following table.

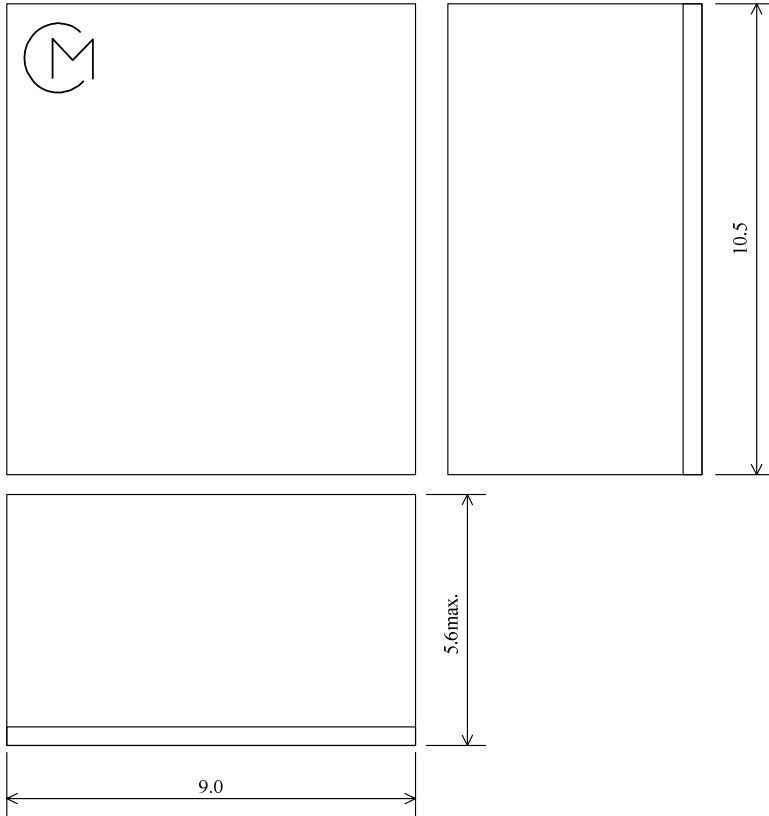
Minimum output capacitance can serve less than 3% * Vo(nom) of deviation for 10A load change(1A/us).

Vout(V)	Vin(V)	Cout1(uF)*	Cout2(uF)	Voltage Deviation(mV)
				10-20A Load Step (1A/us)
0.7	5	660	-	19
	12		-	21
1	5		-	19
	12		-	22
1.2	5		-	20
	12		-	22
1.8	5		-	20
	12		-	22

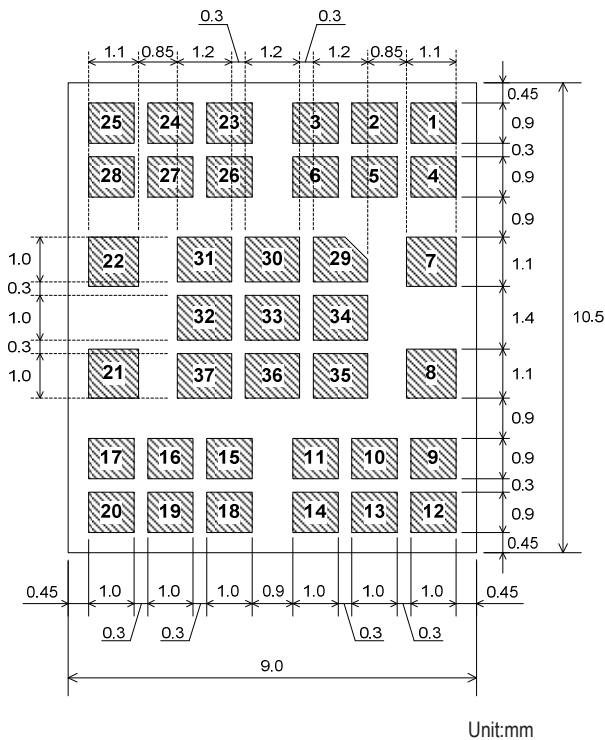
*Cout1 is minimum output capacitance for the products.

MECHANICAL SPECIFICATIONS

Dimension and Pin Assignment

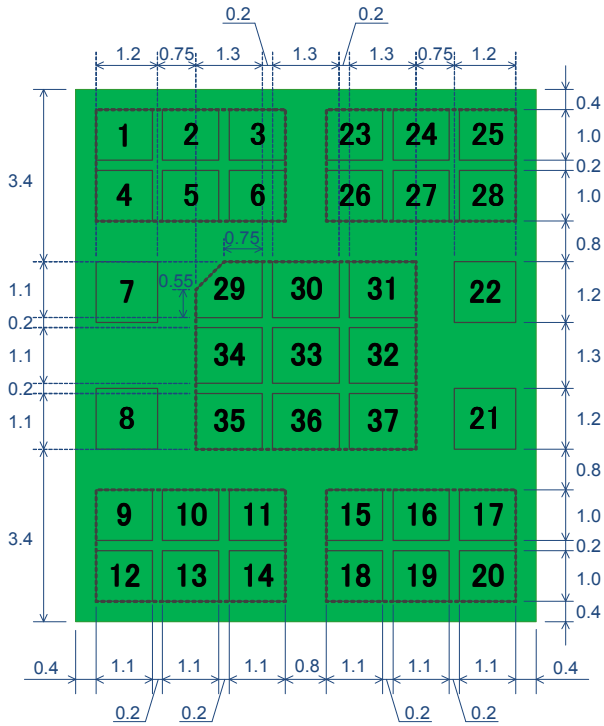


Unit:mm
Tolerances
± 0.15 mm



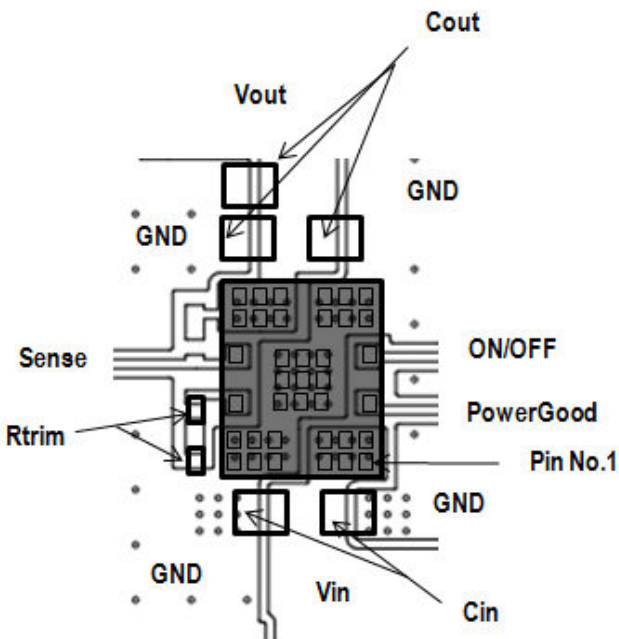
INPUT/OUTPUT CONNECTIONS	
Pin No.	Function
1~6	Vin
7	PowerGood
8	ON/OFF
9~14	GND
15~20	Vout
21	Sense
22	Trim
23~28	GND
29~37	GND(Thermal Pad)

Recommended Board Land Pattern (Top View)



Unit:mm

Example of Patern Layout(Top View)



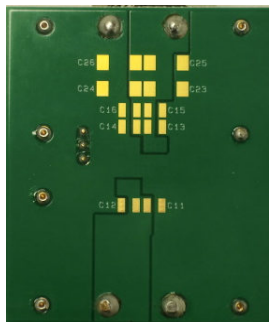
Picture

TOP VIEW

20.9x11.0(mm)

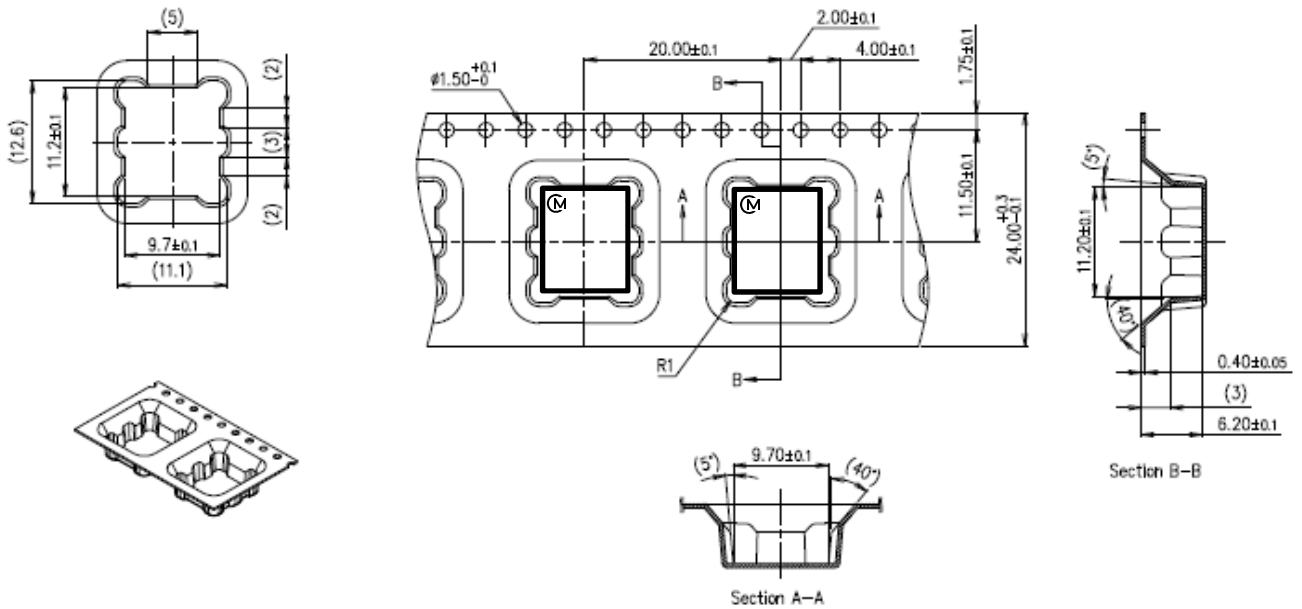


BOTTOM VIEW



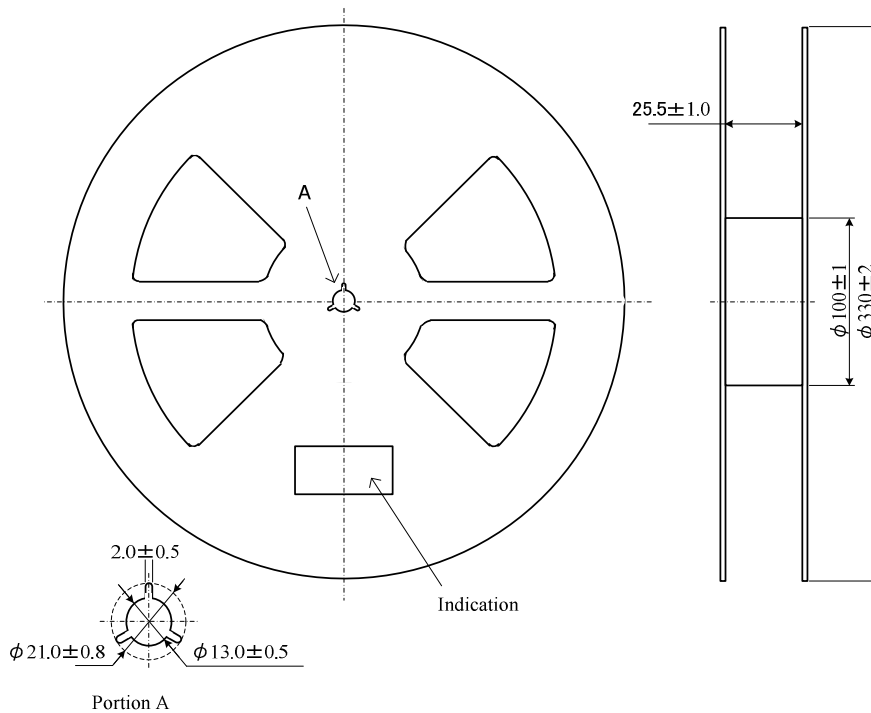
TAPE AND REEL INFORMATION

Tape Dimension



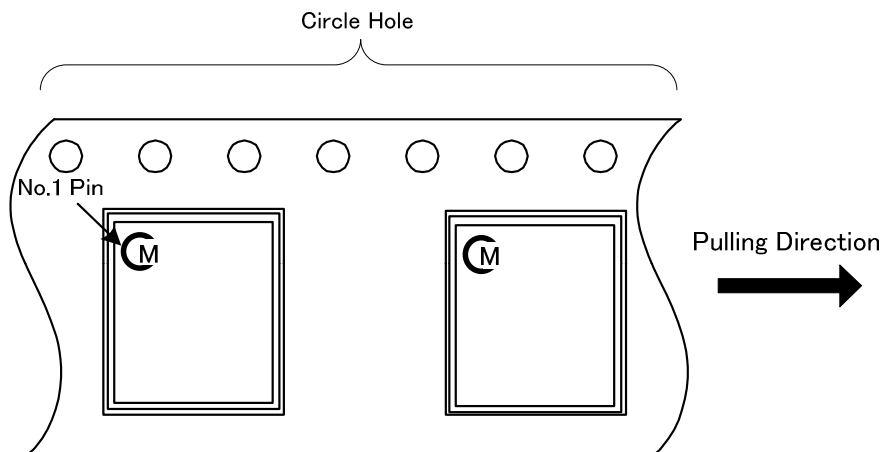
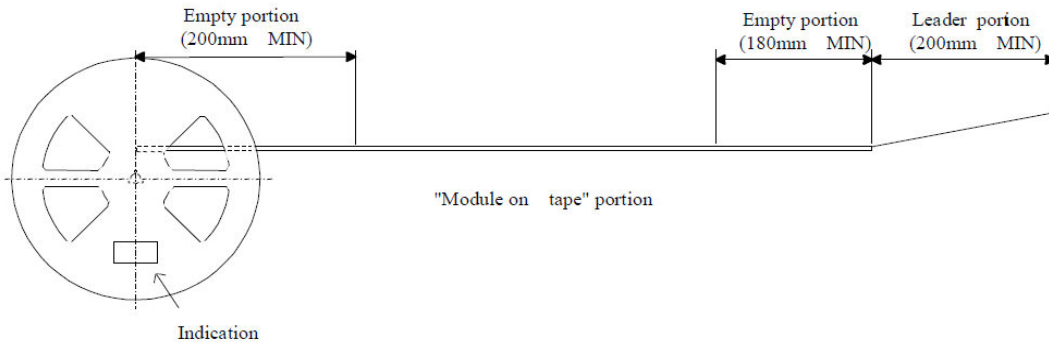
Unit:mm

Reel Dimension



Unit:mm

TAPE SPECIFICATION



Note

1. The adhesive strength of the protective tape must be within 0.1-1.3N.
2. Each reel contains 400 pcs.
3. Each reel set in moisture-proof packaging because of MSL 3.
4. No vacant pocket in "Module on tape" section.
5. The reel is labeled with Murata part number and quantity.
6. The color of reel is not specified.

TECHNICAL NOTES

Input Fusing

Certain applications and/or safety agencies may require fuses at the inputs of power conversion components. Fuses should also be used when there is the possibility of sustained input voltage reversal which is not current limited. For greatest safety, we recommend a fast blow fuse installed in the ungrounded input supply line.

The installer must observe all relevant safety standards and regulations. For safety agency approvals, install the converter in compliance with the end-user safety standard.

Input Under-Voltage Shutdown and Start-Up Threshold

Under normal start-up conditions, converters will not begin to regulate properly until the ramping-up input voltage exceeds and remains at the Start-Up Threshold Voltage (see Specifications). Once operating, converters will not turn off until the input voltage drops below the Under-Voltage Shutdown Limit. Subsequent restart will not occur until the input voltage rises again above the Start-Up Threshold. This built-in hysteresis prevents any unstable on/off operation at a single input voltage.

Users should be aware however of input sources near the Under-Voltage Shutdown whose voltage decays as input current is consumed (such as capacitor inputs), the converter shuts off and then restarts as the external capacitor recharges. Such situations could oscillate. To prevent this, make sure the operating input voltage is well above the UV Shutdown voltage AT ALL TIMES.

Start-Up Time

Assuming that the output current is set at the rated maximum, the Vin to Vout Start-Up Time (see Specifications) is the time interval between the point when the ramping input voltage crosses the Start-Up Threshold and the fully loaded regulated output voltage enters and remains within its specified accuracy band. Actual measured times will vary with input source impedance, external input capacitance, input voltage slew rate and final value of the input voltage as it appears at the converter.

These converters include a soft start circuit to moderate the duty cycle of its PWM controller at power up, thereby limiting the input inrush current. The On/Off Remote Control interval from On command to Vout regulated assumes that the converter already has its input voltage stabilized above the Start-Up Threshold before the On command. The interval is measured from the On command until the output enters and remains within its specified accuracy band. The specification assumes that the output is fully loaded at maximum rated current. Similar conditions apply to the On to Vout regulated specification such as external load capacitance and soft start circuitry.

Recommended Input Filtering

The user must assure that the input source has low AC impedance to provide dynamic stability and that the input supply has little or no inductive content, including long distributed wiring to a remote power supply. The converter will operate with no additional external capacitance if these conditions are met. For best performance, we recommend installing a low-ESR capacitor immediately adjacent to the converter's input terminals.

The capacitor should be a ceramic type such as the Murata GRM32 series and a electrolytic type such as Panasonic OS-CON series. Initial suggested capacitor values are 22 uF*2 or 47uF*2 ceramic type and 1000uF*1 electrolytic type, rated at twice the expected maximum input voltage. Make sure that the input terminals do not go below the under voltage shutdown voltage at all times. More input bulk capacitance may be added in parallel (either electrolytic or tantalum) if needed.

Recommended Output Filtering

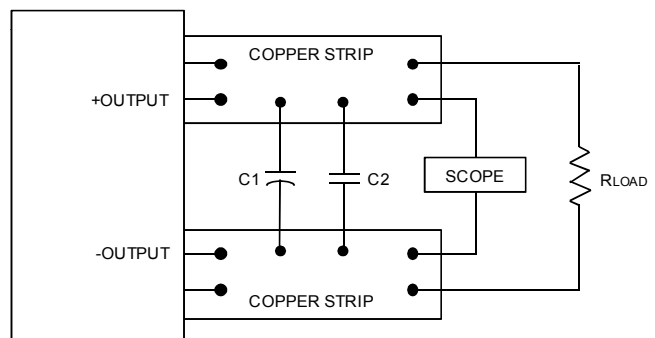
The converter will achieve its rated output ripple and noise with additional external capacitor. The user may install more external output capacitance reduce the ripple even further or for improved dynamic response. Again, use low-ESR ceramic (Murata GRM32 series). Initial values of 220 uF*3 ceramic type. Mount these close to the converter. Measure the output ripple under your load conditions.

Use only as much capacitance as required to achieve your ripple and noise objectives. Excessive capacitance can make step load recovery sluggish or possibly introduce instability. Do not exceed the maximum rated output capacitance listed in the specifications.

Input Ripple Current and Output Noise

All models in this converter series are tested and specified for input reflected ripple current and output noise using designated external input/output components, circuits and layout as shown in the figures below.

In the figure below, the two copper strips simulate real-world printed circuit impedances between the power supply and its load. In order to minimize circuit errors and standardize tests between units, scope measurements should be made using BNC connectors or the probe ground should not exceed one half inch and soldered directly to the test circuit.



C1=OPEN
C2=220uF*3 CERAMIC
LOAD 1-2 INCHES (25-51mm) FROM MODULE
Figure 5: Measuring Output Ripple and Noise(PARD)

Minimum Output Loading Requirements

All models regulate within specification and are stable under no load to full load conditions. Operation under no load might however slightly increase output ripple and noise.

Thermal Shutdown

To prevent many over temperature problems and damage, these converters include thermal shutdown circuitry. If environmental conditions cause the temperature of the DC/DC's to rise above the Operating Temperature Range up to the shutdown temperature, an on-board electronic temperature sensor will power down the unit. When the temperature decreases below the turn-on threshold, the converter will automatically restart.

CAUTION: If you operate too close to the thermal limits, the converter may shut down suddenly without warning. Be sure to thoroughly you're your application to avoid unplanned thermal shutdown.

Temperature Derating Curves

The graphs in this data sheet illustrate typical operation under a variety of conditions. The derating curves show the maximum continuous ambient air temperature. Note that these are AVERAGE measurements.

Note that the temperatures are of the ambient airflow, not the converter itself which is obviously running at higher temperature than the outside air. Also note that very low flow rates (below about 25 LFM) are similar to "natural convection," that is, not using fan-forced airflow. Murata makes Characterization measurements in a closed cycle wind tunnel with calibrated airflow. We use both thermocouples and an infrared camera system to observe thermal performance.

CAUTION: These graphs are all collected at slightly above Sea Level altitude. Be sure to reduce the derating for higher density altitude.

Output Current Limiting

Current limiting inception is defined as the point at which full power falls below the rated tolerance. See the Performance/Functional Specifications. Note particularly that the output current may briefly rise above its rated value in normal operation as long as the average output power is not exceeded. This enhances reliability and continued operation of your application. If the output current is too high, the converter will enter the short circuit condition.

Output Short Circuit Condition

When a converter is in current-limit mode, the output voltage will drop as the output current demand increases. If the output voltage drops too low (approximately 98% of nominal output voltage for most models), the magnetically coupled voltage used to develop primary side voltages will also drop, thereby shutting down the PWM controller.

Following a time-out period, the PWM will restart, causing the output voltage to begin ramping up to its appropriate value. If the short-circuit condition persists, another shutdown cycle will initiate. This rapid on/off cycling is called "hiccup mode". The hiccup cycling reduces the average output current, thereby preventing excessive internal temperatures and/or component damage. A short circuit can be tolerated indefinitely.

The "hiccup" system differs from older latching short circuit systems because you do not have to power down the converter to make it restart. The system will automatically restore operation as soon as the short circuit condition is removed.

UVP/OVP Function

This product monitors a resistor divided feedback voltage to detect over and under voltage. When the feedback voltage becomes lower than 70% of the target voltage, after 1ms, the product latches OFF.

The converter restarts after a hiccup delay (about 16 ms). This function is enabled 1.5-ms after the soft-start is completed.

When the feedback voltage becomes higher than 120% of the target voltage, the circuit operates sink-mode to decrease output voltage. If the output voltage reaches UV threshold, the device restarts after a hiccup delay. If the OV condition remains, the converter will not start until the OV condition is removed.

Remote On/Off Control

The remote On/Off Control can be ordered with either polarity. Please refer to the Connection Diagram on page 1 for On/Off connections.

Positive logic models are enabled when the On/Off pin is left open or is pulled high to +Vin with respect to -Vin. An internal bias current causes the open pin to rise to +Vin. Positive-polarity devices are disabled when the On/Off is grounded or brought to within a low voltage (see Specifications) with respect to -Vin.

Dynamic control of the On/Off function should be able to sink appropriate signal current when brought low and withstand appropriate voltage when brought high. Be aware too that there is a finite time in milliseconds (see Specifications) between the time of On/Off Control activation and stable, regulated output. This time will vary slightly with output load type and current and input conditions. instability.

Output Capacitive Load

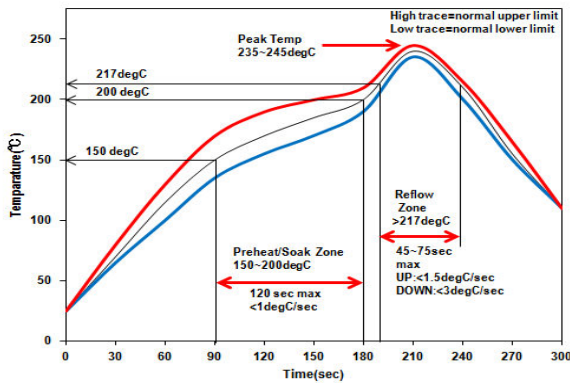
These converters do not require external capacitance added to achieve rated specifications. Users should only consider adding capacitance to reduce switching noise and/or to handle spike current load steps. Install only enough capacitance to achieve noise objectives. Excess external capacitance may cause regulation problems, degraded transient response and possible oscillation or instability.

Soldering Guidelines

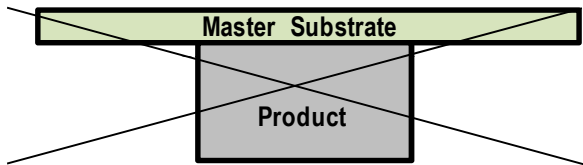
Murata recommends the specifications below when installing these converters. These specifications vary depending on the solder type. Exceeding these specifications may cause damage to the product. Your production environment may differ therefore please thoroughly review these guidelines with your process engineers.

Reflow Solder Operations for surface-mount products (SMT)	
For Sn/Ag/Cu based solders:	
Preheat Temperature	Less than 1°C per second
Time over Liquidus	45 to 75 seconds
Maximum Peak Temperature	245°C
Cooling Rate	Less than 3°C per second
For Sn/Pb based solders:	
Preheat Temperature	Less than 1°C per second
Time over Liquidus	60 to 75 seconds
Maximum Peak Temperature	235°C
Cooling Rate	Less than 3°C per second

Recommended Lead-free Solder Reflow Profile



CAUTION: Do not reflow the DC-DC converter as follows, because the DC-DC converter may fall from the substrate during reflowing.



Pb-free solder processes

For Pb-free solder processes, the product is qualified for MSL 3 according to IPC/JEDEC standard J-STD-020C. During reflow PRODUCT must not exceed 245 degC at any time.

Dry Pack Information

Products intended for Pb-free reflow soldering processes are delivered in standard moisture barrier bags according to IPC/JEDEC standard J STD 033

(Handling, packing, shipping and use of moisture/reflow sensitivity surface-mount devices).

Using products in high temperature Pb-free soldering processes requires dry pack storage and handling. In case the products have been stored in an uncontrolled environment and no longer can be considered dry, the modules must be baked according to J STD 033.

Output Voltage Adjustment

The output voltage may be adjusted over a limited range by connecting an external trim resistor (Rtrim) between the Trim pin and GND pin. The Rtrim resistor must be a 1/10 Watt precision metal film type, ±0.5% accuracy or better with low temperature coefficient, ±100 ppm/°C or better. Mount the resistor close to the converter with very short leads or use a surface mount trim resistor. In the table below, the estimated resistance is given at limited condition ;Vin:nom, Ta:25degC, Iout:max, Cout:660uF. (Please look at Test Circuit which is shown below). Do not exceed the specified limits of the output voltage or the converter's maximum power rating when applying these resistors. Also, avoid high noise at the Trim input. However, to prevent instability, you should never connect any capacitors between Trim pin and GND pin.

Output Voltage	Estimated Rtrim (kohm)	
	MYMGK1R820FRSR	MYMGK1R820ERSR
0.7V	68±6.2	68±1.3
1.0V	15±1.3	15±0.91
1.2V	10±0.75	10±0.56
1.5V	6.8±0.33	4.3±2.7
1.8V	5.1±0.22	5.1±0.18

Resistor Trim Equation

MYMGK1R820FRSR

$$R_{trim}(kohm) = \frac{10 \times A}{(V_{nom} - A)}$$

$$A = 0.617 + 0.01 \times (V_{nom} - 0.6)$$

MYMGK1R820ERSR

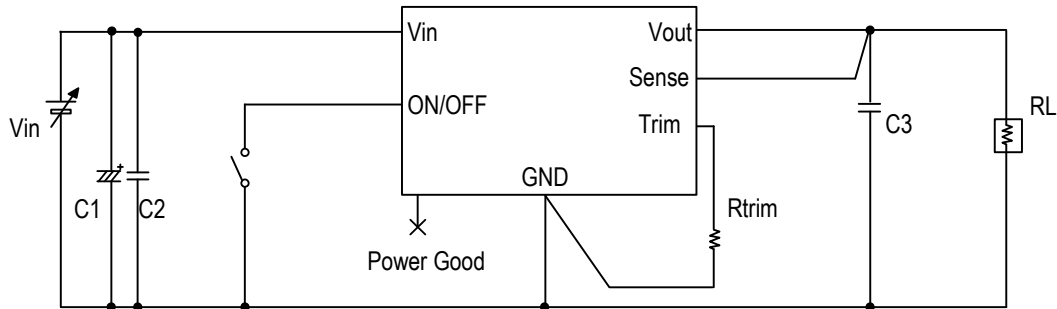
$$R_{trim}(kohm) = \frac{10 \times A}{(V_{nom} - A)}$$

$$A = 0.612 + 0.01 \times (V_{nom} - 0.6)$$

Vout depends on the value of capacitance of Cout in this product, the smaller Cout may cause the higher Vout. The equations above are only reference, so please check Vout and adjust Rtrim in user circumstances. To increase(decrease) Vout is obtained by decreasing(increasing) value of Rtrim.

APPENDIX

Test Circuit



Vin : DC Power Supply
RL : Electronic Load Device

For MYMGK1R820FRSR

- C1 : 1000 μ F/25V \times 1pc Electrolysis Capacitor
- C2 : 47 μ F/10V \times 2pcs (GRM32ER71A476KE15 : Murata)
- C3 : 220 μ F/4V \times 3pcs (GRM32EC80G227ME05 : Murata)

For MYMGK1R820ERSR

- C1 : 1000 μ F/25V \times 1pc Electrolysis Capacitor
- C2 : 22 μ F/25V \times 2pcs (GRM32ER71E226KE15 : Murata)
- C3 : 220 μ F/4V \times 3pcs (GRM32EC80G227ME05 : Murata)

*Do not connect any additional components between the Trim pin and Vout or between the Trim and Sense pins. Use only the specified connections.