



Chipsmall Limited consists of a professional team with an average of over 10 year of expertise in the distribution of electronic components. Based in Hongkong, we have already established firm and mutual-benefit business relationships with customers from,Europe,America and south Asia,supplying obsolete and hard-to-find components to meet their specific needs.

With the principle of “Quality Parts,Customers Priority,Honest Operation,and Considerate Service”,our business mainly focus on the distribution of electronic components. Line cards we deal with include Microchip,ALPS,ROHM,Xilinx,Pulse,ON,Everlight and Freescale. Main products comprise IC,Modules,Potentiometer,IC Socket,Relay,Connector.Our parts cover such applications as commercial,industrial, and automotives areas.

We are looking forward to setting up business relationship with you and hope to provide you with the best service and solution. Let us make a better world for our industry!



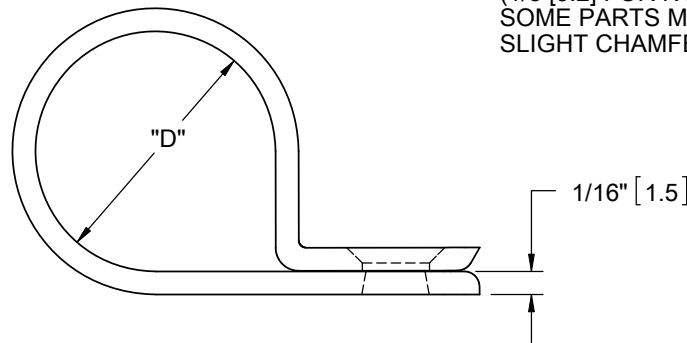
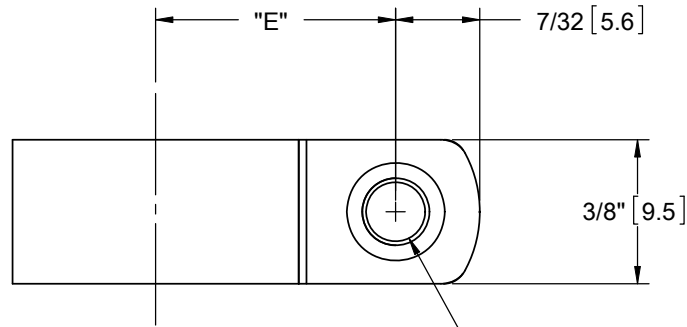
Contact us

Tel: +86-755-8981 8866 Fax: +86-755-8427 6832

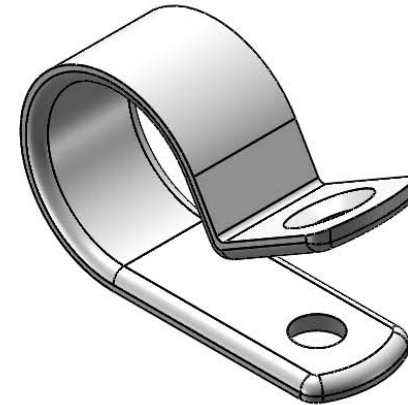
Email & Skype: info@chipsmall.com Web: www.chipsmall.com

Address: A1208, Overseas Decoration Building, #122 Zhenhua RD., Futian, Shenzhen, China





11/64 [4.4] DIA.
(1/8 [3.2] FOR N1 ONLY)
SOME PARTS MAY HAVE
SLIGHT CHAMFER ON HOLE



SHOWN AS MOLDED

NOTES:

- MATERIAL:
 NYLON 6/6 UL 94 V-2 (RMS-01).
 *NYLON 6/6 UL 94 V-0 (RMS-19) AVAILABLE BY SPECIAL ORDER ONLY.
 *NYLON 6/6 UL 94 V-2, UV STABILIZED (RMS-46), COLOR BLACK, AVAILABLE BY SPECIAL ORDER ONLY.
- RECOMMENDED SCREW SIZE IS #8 [M4], (#4 [M2.5] FOR N-1).
- ALTERNATE UNITS ARE FOR REFERENCE ONLY

PART NO.					"D" HOLDING DIAMETER	"E" REF.
NYLON 6/6 UL 94 V-2 NATURAL	NYLON 6/6 UL 94 V-2 BLACK	*NYLON 6/6 UL 94 V-0 BLACK	*NYLON 6/6 UL 94 V-0 NATURAL	*UV STABILIZED NYLON 6/6 UL 94 V-2 BLACK		
N-1	N-1-BK	N-1-19-BK	N-1-19	N-1-UVB	1/16 [1.6]	.27 [6.7]
N-2	N-2-BK	N-2-19-BK	N-2-19	N-2-UVB	1/8 [3.2]	21/64 [8.3]
N-3	N-3-BK	N-3-19-BK	N-3-19	N-3-UVB	3/16 [4.8]	25/64 [9.9]
N-4	N-4-BK	N-4-19-BK	N-4-19	N-4-UVB	1/4 [6.4]	27/64 [10.7]
N-5	N-5-BK	N-5-19-BK	N-5-19	N-5-UVB	5/16 [7.9]	29/64 [11.5]
N-6	N-6-BK	N-6-19-BK	N-6-19	N-6-UVB	3/8 [9.5]	31/64 [12.3]
N-7	N-7-BK	N-7-19-BK	N-7-19	N-7-UVB	7/16 [11.1]	17/32 [13.5]
N-8	N-8-BK	N-8-19-BK	N-8-19	N-8-UVB	1/2 [12.7]	9/16 [14.3]

I SEE CO 200516 FOR CHANGES SK 04/06/10			TITLE: CABLE CLAMP, N SERIES				DWG IN IN [MM]	
H SEE CO 200485 FOR CHANGES DZ 01/12/2010			FILE #: N-SERIES		DWN: S.K.		APP: R.G.	
G SEE CO 200152 FOR CHANGES SK 04/03/2008			SHEET: 1 OF 1 SHEET SIZE: A		DT: 04/01/2008		CHKD: S.J.	
- SEE ENGINEERING FOR REV A-F -			RE: RICHCO, INC.		RICHCO, INC. ENG@RICHCO-INC.COM (773) 539-4060		PART #	
REV. DESCRIPTION ENGR. DATE			TOLERANCES UNLESS NOTED .XX=±.010 .XXX=±.005 FRAC.=±1/64 ANG.=±1°		FINAL		SEE TABLE	
							PRINT TYPE	
							CA	