



Chipsmall Limited consists of a professional team with an average of over 10 year of expertise in the distribution of electronic components. Based in Hongkong, we have already established firm and mutual-benefit business relationships with customers from,Europe,America and south Asia,supplying obsolete and hard-to-find components to meet their specific needs.

With the principle of “Quality Parts,Customers Priority,Honest Operation,and Considerate Service”,our business mainly focus on the distribution of electronic components. Line cards we deal with include Microchip,ALPS,ROHM,Xilinx,Pulse,ON,Everlight and Freescale. Main products comprise IC,Modules,Potentiometer,IC Socket,Relay,Connector.Our parts cover such applications as commercial,industrial, and automotives areas.

We are looking forward to setting up business relationship with you and hope to provide you with the best service and solution. Let us make a better world for our industry!



## Contact us

Tel: +86-755-8981 8866 Fax: +86-755-8427 6832

Email & Skype: info@chipsmall.com Web: www.chipsmall.com

Address: A1208, Overseas Decoration Building, #122 Zhenhua RD., Futian, Shenzhen, China



MATERIAL: NYLON 6/6 UL 94 V-2 (RMS-01). COLOR: NATURAL. PART NO.	MATERIAL: NYLON 6/6 UL 94 V-2 (RMS-01). COLOR: BLACK. PART NO.	DIM. "E" REF.	"D" HOLDING DIAMETER FOR:			FIGURE NO.
			INSIDE HOLE	CENTER HOLE	OUTSIDE HOLE	
N-20B	N-20B-BK	29/32 [23]	1 [25.4]	1-1/8 [28.6]	1.2 [30.2]	1
N-24B	N-24B-BK	1-1/32 [26.2]	1-1/4 [31.8]	1-3/8 [34.9]	1-15/32 [37.3]	
N-32B	N-32B-BK	1-29/64 [36.9]	1-3/4 [44.5]	1-7/8 [47.6]	2 [50.8]	

FIG 1.

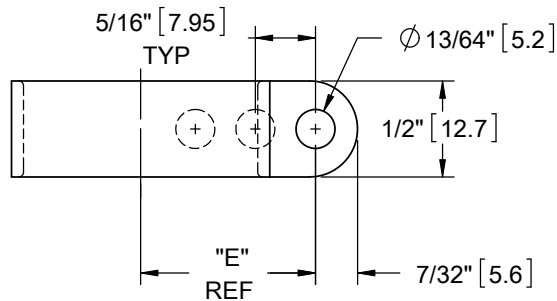
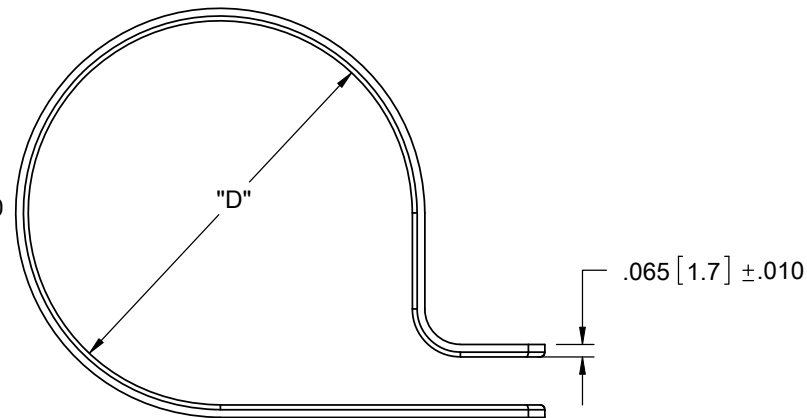
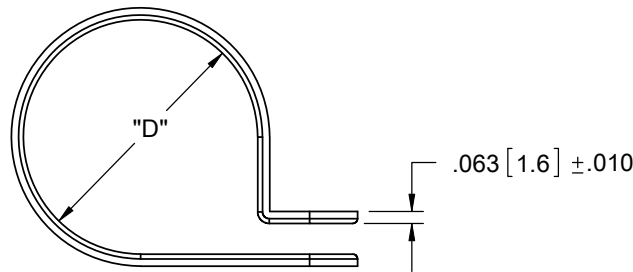
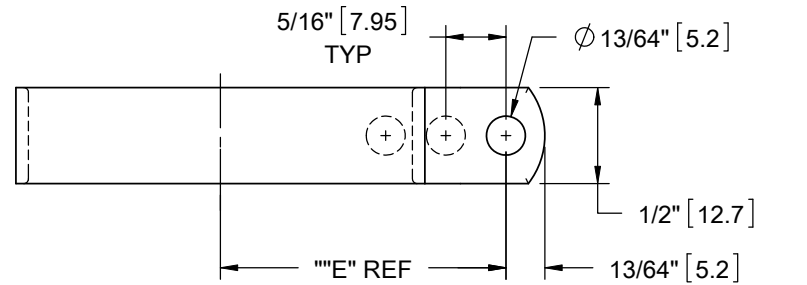


FIG 2.



NOTES:

1. MATERIAL: NYLON 6/6 UL 94 V-0 (RMS-19),  
COLOR: NATURAL OR BLACK  
AVAILABLE BY SPECIAL ORDER ONLY.
2. NYLON 4/6 UL 94 V-2 (RMS-109), COLOR NATURAL OR BLACK,  
AVAILABLE BY SPECIAL ORDER. TO ORDER  
ADD "-109" TO PART NO.

TITLE: <b>CABLE CLAMPS, NB SERIES-3 HOLES</b>						DWG IN IN [MM]	
CREATED USING SOLIDWORKS	FILE #: NB-3	DWN: SK	APP: R.T.	FINAL			
TOLERANCES UNLESS NOTED .XX=±.010 .XXX=±.005 FRAC.=±1/64 ANG.=±1°	SHEET: 1 OF 1	SHEET SIZE: A	DT: 10/20/08	CHKD: D.Z.	PART #		PRINT TYPE
RE: <b>RICHCO, INC.</b>	<b>RICHCO, INC.</b> ENG@RICHCO-INC.COM (773) 539-4060		<b>SEE TABLE</b>		<b>CA</b>		

REV.	DESCRIPTION	ENGR.	DATE
G	SEE ECN #200453 FOR CHANGES	SJ	10/20/09
F	SEE ECN #200264 FOR CHANGES	SK	10/20/08
-	SEE ENGINEERING FOR REV A-F	-	----