



Chipsmall Limited consists of a professional team with an average of over 10 year of expertise in the distribution of electronic components. Based in Hongkong, we have already established firm and mutual-benefit business relationships with customers from,Europe,America and south Asia,supplying obsolete and hard-to-find components to meet their specific needs.

With the principle of "Quality Parts,Customers Priority,Honest Operation,and Considerate Service",our business mainly focus on the distribution of electronic components. Line cards we deal with include Microchip,ALPS,ROHM,Xilinx,Pulse,ON,Everlight and Freescale. Main products comprise IC,Modules,Potentiometer,IC Socket,Relay,Connector.Our parts cover such applications as commercial,industrial, and automotives areas.

We are looking forward to setting up business relationship with you and hope to provide you with the best service and solution. Let us make a better world for our industry!



## Contact us

Tel: +86-755-8981 8866 Fax: +86-755-8427 6832

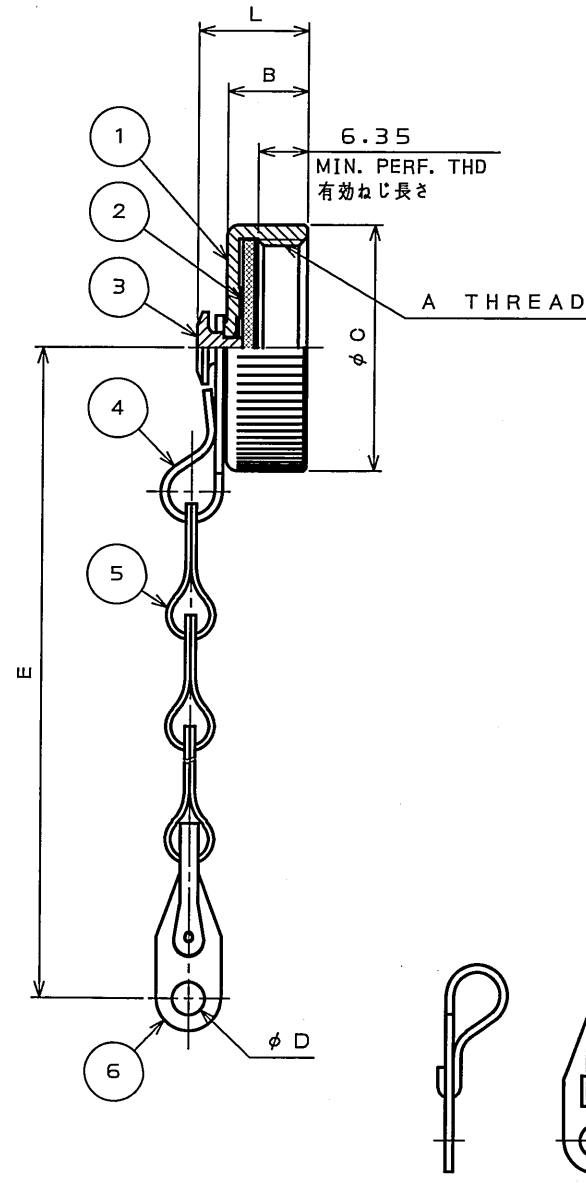
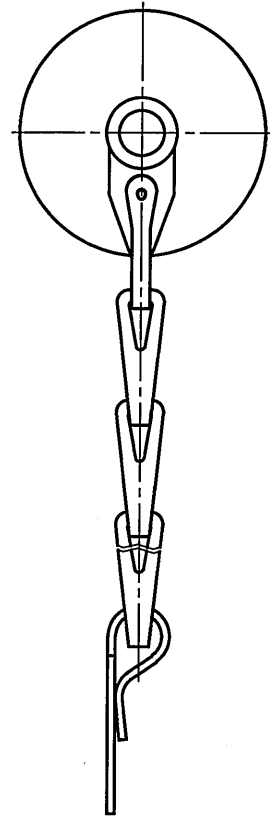
Email & Skype: info@chipsmall.com Web: www.chipsmall.com

Address: A1208, Overseas Decoration Building, #122 Zhenhua RD., Futian, Shenzhen, China



606001RS  
(ON 01MVRD)台要図

版数 REV.	年月日 DATE	DCN NO.	変更内容 DESCRIPTION	製図 DR.	担当 CHK.	査閲 APPD.	承認 APPD.
2	7.00.2005	058422	COLOR CHANGED	H.SAKURADA	T.SUZUKI	T.OKAMURA	A. Onogami



OPTIONAL FORMS FOR PART ④AND⑤  
部品④⑤別形状

APPLICABLE SHELL SIZE 適合シェルサイズ	PART No. 品名	A THREAD Aねじ	MAX B	MAX C	+0.25 -0.13 D	±21 E	MAX L
10S,10SL	N/MS25043-10D	5/8-24UNEF-2B	11.91	20.70	3.56	101.6	19.05
12,12S	N/MS25043-12D	3/4-20UNEF-2B	↑	25.40	↑	114.3	↑
14,14S	N/MS25043-14D	7/8-20UNEF-2B	↑	28.58	↑	↑	↑
16,16S	N/MS25043-16D	1-20UNEF-2B	↑	30.18	↑	↑	↑
18	N/MS25043-18D	1 1/8-18UNEF-2B	↑	34.14	↑	114.3	↑
20	N/MS25043-20D	1 1/4-18UNEF-2B	↑	37.31	↓	127.0	↑
22	N/MS25043-22D	1 3/8-18UNEF-2B	↓	40.49	3.56	127.0	↓
24	N/MS25043-24D	1 1/2-18UNEF-2B	11.91	43.66	4.34	139.7	19.05
28	N/MS25043-28D	1 3/4-18UNS -2B	13.49	50.01	4.34	196.8	20.62
32	N/MS25043-32D	2-18UNS -2B	↑	56.36	4.75	↑	↑
36	N/MS25043-36D	2 1/4-16UN -2B	↑	62.71	↑	↑	↑
40	N/MS25043-40D	2 1/2-16UN -2B	↑	69.06	↑	↑	↑
44	N/MS25043-44D	2 3/4-16UN -2B	↓	75.41	↓	↓	↓
48	N/MS25043-48D	3-16UN -2B	13.49	80.98	4.75	196.8	20.62

△ DESIGNATION  
命名法

N/MS25043-\*D  
SERIES シリーズ  
CONFIGURATION 形状  
DUST CAP SIZE ダストキャップサイズ

6	END LINK	1	STAINLESS STEEL			
5	CHAIN	—	STAINLESS STEEL			
4	END LINK	1	STAINLESS STEEL			
3	RIVET	1	ALUMINUM ALLOY	ZINC PLATING	△ COLOR:BLACK SYSTEM INTERFERENCE COLOR	
2	GASKET	1	SYNTHETIC RUBBER			
1	CAP	1	ALUMINUM ALLOY	ZINC PLATING	△ COLOR:BLACK SYSTEM INTERFERENCE COLOR	
符号 NO.	名称 DESCRIPTION	個数 QTY.	材料 MATERIAL	仕上 FINISH	備考 REMARKS	
仕様書 (SPECIFICATION)		第1版 (ORIGINAL DATE)		尺度 (SCALE)	シリーズ (SERIES)	日本航空電子工業株式会社 JAPAN AVIATION ELECTRONICS INDUSTRY, LTD. 図面番号 (DRAWING NO.) SJ100909
△ J AHL-50003 J AHL-50004		2.Mar.2004		—	N/MS	
公差 (GENERAL TOLERANCE)		製図 DR.		名称 (TITLE)		
寸法 (DIMENSION) 角度 (ANGLES)		担当 CHK. T.SUZUKI		N/MS25043-*D		
. ±0.8	° ±	査閲 APPD. E.MATSUMOTO		(DUST CAP FOR RECEPTACLE)		
.X ±0.4	°X ±	承認 APPD. S.NANAO		レセプタクル用ダストキャップ		
.XX ±0.1				質量 (MASS)		
.XXX ±				⊕		

DOF-0-212F(05.08)

