



Chipsmall Limited consists of a professional team with an average of over 10 year of expertise in the distribution of electronic components. Based in Hongkong, we have already established firm and mutual-benefit business relationships with customers from,Europe,America and south Asia,supplying obsolete and hard-to-find components to meet their specific needs.

With the principle of “Quality Parts,Customers Priority,Honest Operation,and Considerate Service”,our business mainly focus on the distribution of electronic components. Line cards we deal with include Microchip,ALPS,ROHM,Xilinx,Pulse,ON,Everlight and Freescale. Main products comprise IC,Modules,Potentiometer,IC Socket,Relay,Connector.Our parts cover such applications as commercial,industrial, and automotives areas.

We are looking forward to setting up business relationship with you and hope to provide you with the best service and solution. Let us make a better world for our industry!



Contact us

Tel: +86-755-8981 8866 Fax: +86-755-8427 6832

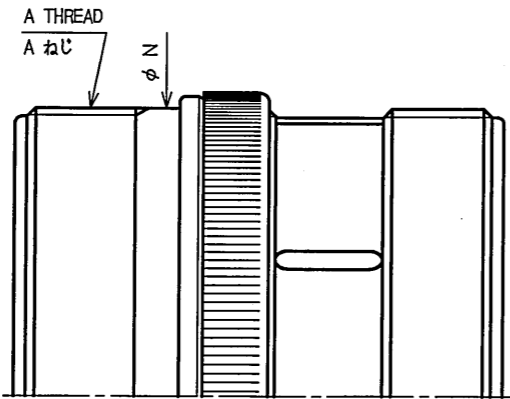
Email & Skype: info@chipsmall.com Web: www.chipsmall.com

Address: A1208, Overseas Decoration Building, #122 Zhenhua RD., Futian, Shenzhen, China

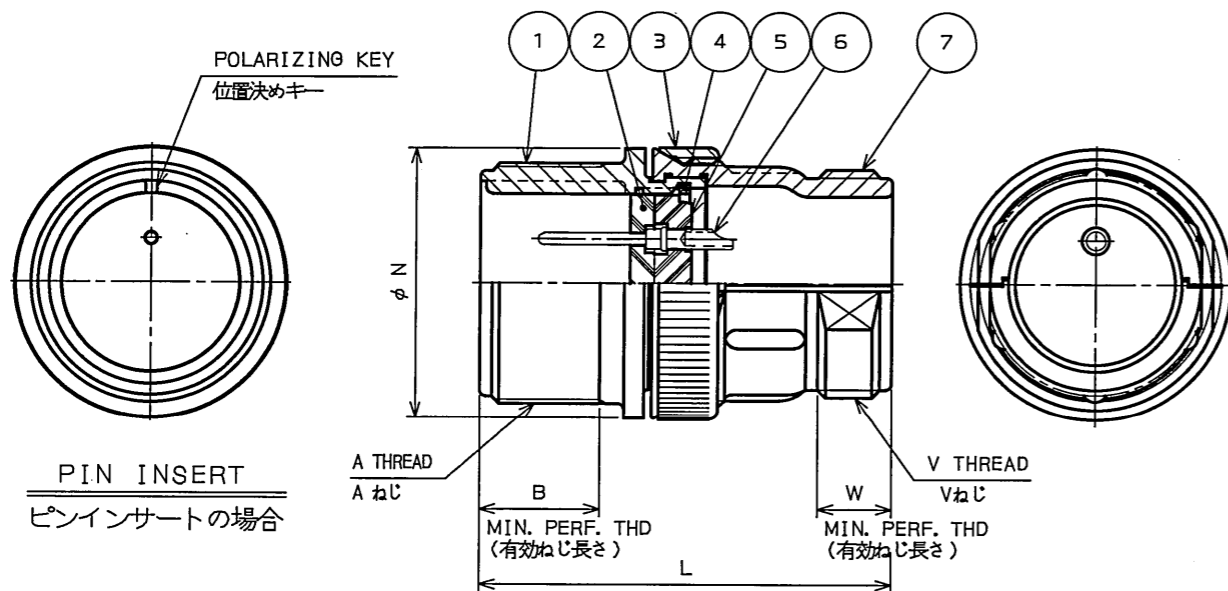


E06001RS

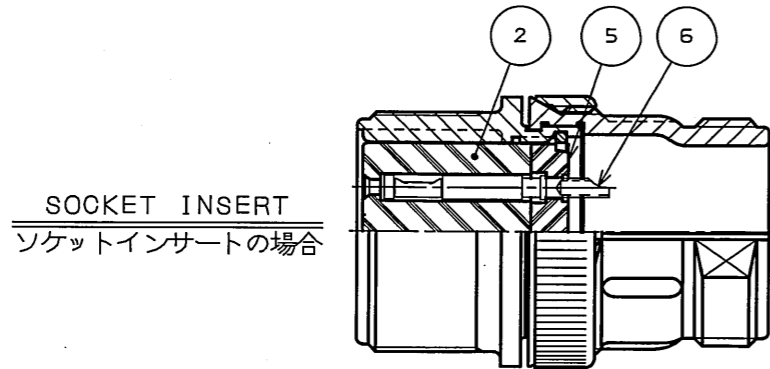
(ON ΘNIMVHD)台要理図



SHELL SIZE
サイズ44,48の場合



PIN INSERT
ピンインサートの場合



SOCKET INSERT
ソケットインサートの場合

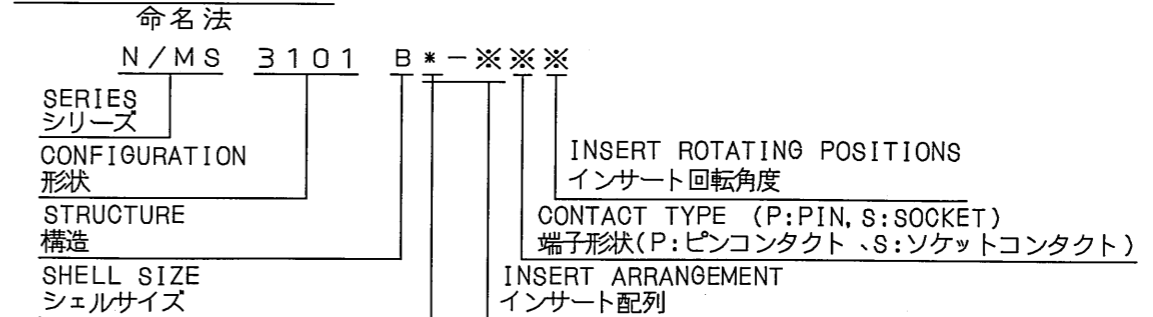
NOTE 1. 10SL SHELL SIZE USES ONLY PIN INSERT.
2. REFER TO THE DRAWING SJ100900 FOR INSERT ARRANGEMENT, INSERT ROTATING POSITIONS AND SPECIFICATIONS.

注1. シェルサイズ10SLは、ピンインサートのみである。
2. インサート配列、インサート回転角度、仕様は、SJ100900を参照のこと。

版数 REV.	年月日 DATE	DCN NO.	変更内容 DESCRIPTION	製図 DR.	担当 CHK.	査閲 APPD.	承認 APPD.
2	7.00.2005	058422	COLOR CHANGED	H.SAKURADA	T.SUZUKI	T.OKAMURA	A. Ogasawara

SHELL SIZE シェルサイズ	A THREAD A ねじ	B ^{MIN.}	L ^{MAX.}	N ^{MAX.}	V THREAD V ねじ	W ^{MIN.}
10SL	5/8-24UNEF-2A	9.52	38.89	24.61	5/8-24UNEF-2A	9.52
12S	3/4-20UNEF-2A	↑	42.88	26.97	5/8-24UNEF-2A	↑
14S	7/8-20UNEF-2A	↓	↓	29.36	3/4-20UNEF-2A	
16S	1-20UNEF-2A	9.52	42.88	31.75	7/8-20UNEF-2A	
12	3/4-20UNEF-2A	15.88	52.37	26.97	5/8-24UNEF-2A	
14	7/8-20UNEF-2A	↑	↑	29.36	3/4-20UNEF-2A	
16	1-20UNEF-2A	↑	↓	31.75	7/8-20UNEF-2A	
18	1 1/8-18UNEF-2A		52.37	34.14	1-20UNEF-2A	
20	1 1/4-18UNEF-2A		55.58	37.31	1 3/16-18UNEF-2A	
22	1 3/8-18UNEF-2A		55.58	40.49	1 3/16-18UNEF-2A	
24	1 1/2-18UNEF-2A		58.72	43.66	1 7/16-18UNEF-2A	↓
28	1 3/4-18UNS-2A		58.72	50.01	1 7/16-18UNEF-2A	9.52
32	2 -18UNS-2A		61.93	56.36	1 3/4-18UNS-2A	11.13
36	2 1/4-16UN-2A		↓	62.71	2 -18UNS-2A	12.70
40	2 1/4-16UN-2A		61.93	69.06	2 1/4-16UN-2A	12.70
44	2 3/4-16UN-2A	↓	65.07	75.41	2 1/2-16UN-2A	14.27
48	3 -16UN-2A	15.88	65.07	81.76	3 -16UN-2A	15.88

DESIGNATION



符号 NO.	名称 DESCRIPTION	個数 QTY.	材料 MATERIAL	仕上 FINISH	備考 REMARKS
7	ENDBELL	1	ALUMINUM ALLOY	ZINC PLATING	△ COLOR:BLACK SYSTEM INTERFERENCE COLOR
6	CONTACT	—	COPPER ALLOY	SILVER PLATING	SEE INSERT ARRANGEMENT (NOTE2)
5	REAR INSULATOR	1	SYNTHETIC RESIN	—	
4	RETAINING RING	1	COPPER ALLOY	ZINC PLATING	△ COLOR:BLACK SYSTEM INTERFERENCE COLOR
3	ASSEMBLY NUT	1	ALUMINUM ALLOY	ZINC PLATING	△ COLOR:BLACK SYSTEM INTERFERENCE COLOR
2	FRONT INSULATOR	1	SYNTHETIC RESIN	—	
1	BARREL	1	ALUMINUM ALLOY	ZINC PLATING	△ COLOR:BLACK SYSTEM INTERFERENCE COLOR

仕様書 (SPECIFICATION) JACS-50003 JABL-50003	第1版 (ORIGINAL DATE) 2.Mar.2005	尺度 (SCALE) —	シリーズ (SERIES) N/MS
製図 DR.	製図 DR.	名称 (TITLE) N/MS3101B*-※※※ (CABLE CONNECTING RECEPTACLE) 中継レセプタクル	
公差 (GENERAL TOLERANCE)	担当 CHK. T.SUZUKI	質量 (MASS)	
寸法 (DIMENSION) 角度 (ANGLES)	査閲 APPD. E.MATSUMOTO	承認 APPD. M.MAJIME	
. ±0.8 X° ±		図面番号 (DRAWING NO.) SJ100903	
.X ±0.4 X°X ±		版数 (REV.) 2	
.XX ±0.1			
.XXX ±			

DOF-0-212F(05.08)

