



Chipsmall Limited consists of a professional team with an average of over 10 year of expertise in the distribution of electronic components. Based in Hongkong, we have already established firm and mutual-benefit business relationships with customers from,Europe,America and south Asia,supplying obsolete and hard-to-find components to meet their specific needs.

With the principle of “Quality Parts,Customers Priority,Honest Operation,and Considerate Service”,our business mainly focus on the distribution of electronic components. Line cards we deal with include Microchip,ALPS,ROHM,Xilinx,Pulse,ON,Everlight and Freescale. Main products comprise IC,Modules,Potentiometer,IC Socket,Relay,Connector.Our parts cover such applications as commercial,industrial, and automotives areas.

We are looking forward to setting up business relationship with you and hope to provide you with the best service and solution. Let us make a better world for our industry!



## Contact us

Tel: +86-755-8981 8866 Fax: +86-755-8427 6832

Email & Skype: info@chipsmall.com Web: www.chipsmall.com

Address: A1208, Overseas Decoration Building, #122 Zhenhua RD., Futian, Shenzhen, China





Revision table with columns: REV. NO., DATE, DGN NO., DESCRIPTION, DR., CHK., APPD., and 備考 (REMARKS).

△ INSERT ARRANGEMENT  
インサート配列

Table showing contact arrangements for 1 to 5 pins. Columns include NO. OF CONTACTS, INSERT ARRANGEMENT, CONTACT COMPOSITION, and RATED VOLTAGE.

Table showing contact arrangements for 6 to 10 pins. Columns include NO. OF CONTACTS, INSERT ARRANGEMENT, CONTACT COMPOSITION, and RATED VOLTAGE.

Table showing contact arrangements for 11 to 24 pins. Columns include NO. OF CONTACTS, INSERT ARRANGEMENT, CONTACT COMPOSITION, and RATED VOLTAGE.

Table showing contact arrangements for 26 to 100 pins. Columns include NO. OF CONTACTS, INSERT ARRANGEMENT, CONTACT COMPOSITION, and RATED VOLTAGE.

NOTE 1. THIS DRAWING SHOWS INSERT ARRANGEMENT, INSERT ROTATION POSITION, AND SPECIFICATION FOR N/MS CONNECTOR.  
注1 本図面は、N/MSコネクタの「インサート配列」「インサート回転位置」「仕様」を示すものである。

INSERT ROTATED POSITION (ANGLE)  
インサート回転位置(角度)

Large table detailing rotated angles for various contact sizes and arrangements. Columns include CONTACT SIZE, INSERT ARRANGEMENT, CONTACT COMPOSITION, RATED VOLTAGE, and ROTATED ANGLE (W, X, Y, Z).

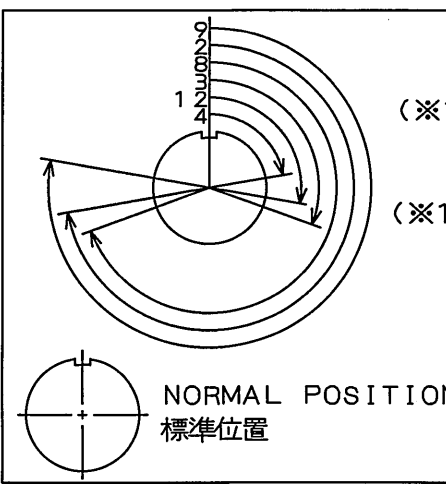
SPECIFICATION 仕様

Table of specifications including RATED CURRENT, RATED VOLTAGE, D.W. VOLTAGE, INSULATION RESISTANCE, and APPLICABLE WIRE SIZE.

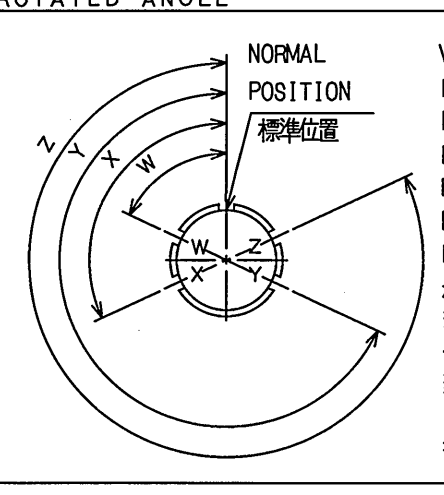
コネクタ全体に流せる電流の総容量は下記の計算式にて算出下さい。  
TOTAL CURRENT CAPACITY ALLOWABLE TO BE USED IN THIS CONNECTOR SHALL BE CALCULATED BY THE FOLLOWING FORMULA:

① MORE THAN 15 CONTACTS: 15個以上の場合  
TOTAL CURRENT CAPACITY = RATED CURRENT (IN CASE OF INSERT ASSEMBLED WITH CONTACTS) X NUMBER OF CONTACTS X 20%  
総容量 = 定格電流 (インサートに組込んだ場合) X 接触数 X 20%

Table showing LAPSE RATE (%) for different numbers of contacts (1 to 7).



(※1.2) ONLY FOR CONTACT ARRANGEMENT 32A10, CHANGED POSITION OF INSERT ROTATED AGAINST GUIDE KEY IS SHOWN.  
(※1.2) コンタクト配列32A10及び36A34の場合のみガイドキーに対しインサートのある角度に回転させた変更位置で表します。



W, X, Y, AND Z IS DESIGNATED TO PRESENT THE ROTATED ANGLE OF SHELL GUIDE KEY AGAINST NORMAL POSITION.  
標準位置に対し、シエルのガイドキーをある角度に変更した位置をW, X, Y, Zの記号で表わします。インサート配列によって変更可能な角度が異なりますので、当表を参照のうえご指示ください。尚、図はインサート配列をピン側面から見た場合を表わします。

Table with columns: 仕様 (SPECIFICATION), 数量 (QTY.), 材料 (MATERIAL), 仕上 (FINISH), 備考 (REMARKS).