



Chipsmall Limited consists of a professional team with an average of over 10 year of expertise in the distribution of electronic components. Based in Hongkong, we have already established firm and mutual-benefit business relationships with customers from,Europe,America and south Asia,supplying obsolete and hard-to-find components to meet their specific needs.

With the principle of “Quality Parts,Customers Priority,Honest Operation,and Considerate Service”,our business mainly focus on the distribution of electronic components. Line cards we deal with include Microchip,ALPS,ROHM,Xilinx,Pulse,ON,Everlight and Freescale. Main products comprise IC,Modules,Potentiometer,IC Socket,Relay,Connector.Our parts cover such applications as commercial,industrial, and automotives areas.

We are looking forward to setting up business relationship with you and hope to provide you with the best service and solution. Let us make a better world for our industry!



## Contact us

Tel: +86-755-8981 8866 Fax: +86-755-8427 6832

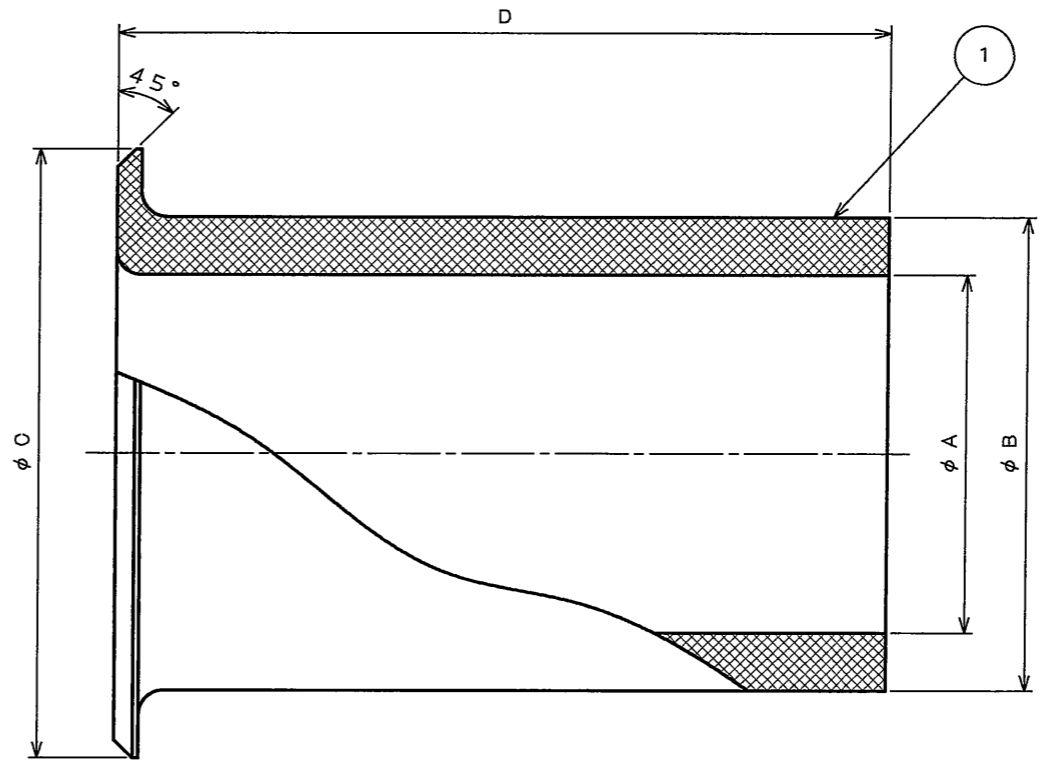
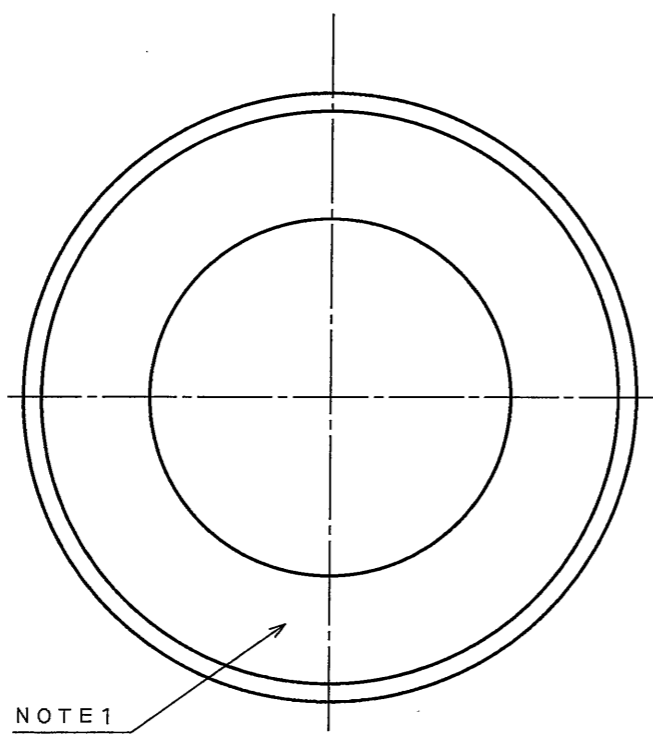
Email & Skype: info@chipsmall.com Web: www.chipsmall.com

Address: A1208, Overseas Decoration Building, #122 Zhenhua RD., Futian, Shenzhen, China

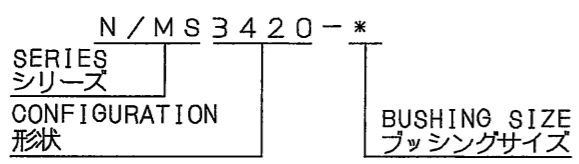


SJ100911  
(DRAWING NO.) 図番

版数 REV.	年月日 DATE	DCN NO.	変更内容 DESCRIPTION	製図 DR.	担当 CHK.	査閲 APPD.	承認 APPD.



DESIGNATION  
命名法



注1. ABRIDGED PART NUMBER IS MARKED AS INDICATED.  
注1. 図示の位置に品名略称を表示する。

PART NUMBER 品名	$\phi A \pm 0.4$	$\phi B \pm 0.4$	$\phi C \pm 0.4$	$D \pm 0.8$	$E \pm 0.8$
N/MS3420-4	5.6	7.7	12.8	69.8	69.8
-6	7.9	10.9	15.7	66.7	66.7
-8	11.1	14.0	18.9	63.5	63.5
-10	14.3	15.6	22.1	60.3	60.3
-12	15.9	18.8	27.0	57.2	57.2
-16	19.1	23.6	33.4	54.0	54.0
-20	23.8	31.5	40.5	50.8	50.8
-24	31.8	34.7	46.9	47.6	47.6
-28	34.9	41.0	53.0	44.4	44.4
-32	41.3	47.4	59.3	41.3	41.3
N/MS3420-40	47.6	60.1	72.0	38.1	38.1

1	BUSHING	1	SYNTHETIC RUBBER		COLOR: DARK GREEN
符号 NO.	名称 DESCRIPTION	個数 QTY.	材料 MATERIAL	仕上 FINISH	備考 REMARKS
仕様書 (SPECIFICATION) J AHL-50003	第1版 (ORIGINAL DATE) 7. Dec. 2005	製図 DR.		シリーズ (SERIES) N/MS	日本航空電子工業株式会社 JAPAN AVIATION ELECTRONICS INDUSTRY, LTD. 図面番号 (DRAWING NO.) SJ100911
公差 (GENERAL TOLERANCE) 寸法 (DIMENSION)   角度 (ANGLES)	製図 DR.	担当 CHK.		名称 (TITLE) N/MS3420-*	
. ± 0.8 ° ± .X ± 0.4 °X ± .XX ± 0.1 °XX ± .XXX ± °XXX ±	製図 DR.	承認 APPD.	T. SUZUKI	( BUSHING ) ( ブッシング )	
	承認 APPD.	承認 APPD.	T. OKAMURA A. Onogawa	質量 (MASS)	

DOF-0-212F(05.08)

