



Chipsmall Limited consists of a professional team with an average of over 10 year of expertise in the distribution of electronic components. Based in Hongkong, we have already established firm and mutual-benefit business relationships with customers from,Europe,America and south Asia,supplying obsolete and hard-to-find components to meet their specific needs.

With the principle of “Quality Parts,Customers Priority,Honest Operation,and Considerate Service”,our business mainly focus on the distribution of electronic components. Line cards we deal with include Microchip,ALPS,ROHM,Xilinx,Pulse,ON,Everlight and Freescale. Main products comprise IC,Modules,Potentiometer,IC Socket,Relay,Connector.Our parts cover such applications as commercial,industrial, and automotives areas.

We are looking forward to setting up business relationship with you and hope to provide you with the best service and solution. Let us make a better world for our industry!



## Contact us

Tel: +86-755-8981 8866 Fax: +86-755-8427 6832

Email & Skype: info@chipsmall.com Web: www.chipsmall.com

Address: A1208, Overseas Decoration Building, #122 Zhenhua RD., Futian, Shenzhen, China



# N01S818HA

## 1 Mb Ultra-Low Power Serial SRAM

### Standard SPI Interface and Multiplex DUAL and QUAD Interface

#### Overview

The ON Semiconductor serial SRAM family includes several integrated memory devices including this 1 Mb serially accessed Static Random Access Memory, internally organized as 128 K words by 8 bits. The devices are designed and fabricated using ON Semiconductor's advanced CMOS technology to provide both high-speed performance and low power. The devices operate with a single chip select ( $\overline{CS}$ ) input and use a simple Serial Peripheral Interface (SPI) protocol. In SPI mode, a single data-in (SI) and data-out (SO) line is used along with the clock (SCK) to access data within the device. In DUAL mode, two multiplexed data-in/data-out (SIO0-SIO1) lines are used and in QUAD mode, four multiplexed data-in/data-out (SIO0-SIO3) lines are used with the clock to access the memory.

The devices can operate over a wide temperature range of  $-40^{\circ}\text{C}$  to  $+85^{\circ}\text{C}$  and are available in a 8-lead TSSOP package.

#### Features

- Power Supply Range: 1.7 to 2.2 V
- Very Low Typical Standby Current  $< 1 \mu\text{A}$
- Very Low Operating Current  $< 10 \text{ mA}$
- Simple Serial Interface
  - ◆ Single-bit SPI Access
  - ◆ DUAL-bit and QUAD-bit SPI-like Access
- Flexible Operating Modes
  - ◆ Word Mode
  - ◆ Page Mode
  - ◆ Burst Mode (Full Array)
- High Frequency Read and Write Operation
  - ◆ Clock Frequency 20 MHz
- Built-in Write Protection ( $\overline{CS}$  High)
- High Reliability
  - ◆ Unlimited Write Cycles
- These Devices are Pb-Free and are RoHS Compliant
  - ◆ Green TSSOP

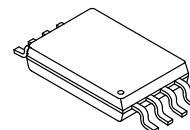
Table 1. DEVICE OPTIONS

Device / Part Number	Power Supply	Speed	Package	Function
N01S818HAT22I	1.7 V – 2.2 V	20 MHz	TSSOP-8	HOLD



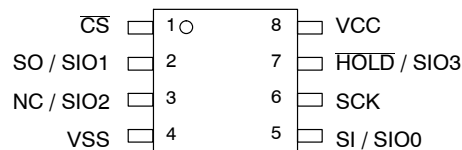
ON Semiconductor®

<http://onsemi.com>



TSSOP8 3x4.4  
CASE 948BH

#### PACKAGE CONFIGURATION



#### ORDERING INFORMATION

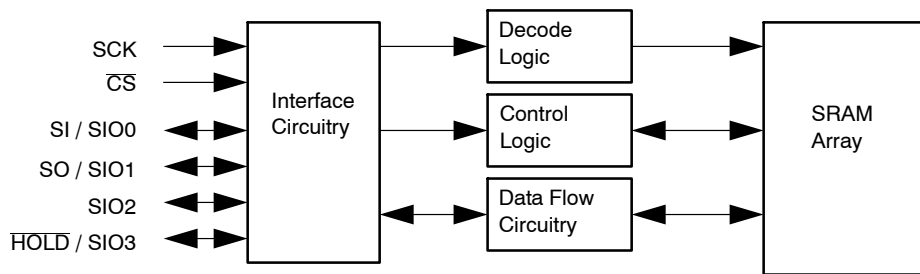
Device	Package	Shipping†
N01S818HAT22I	TSSOP-8 (Pb-Free)	100 Units / Tube
N01S818HAT22IT	TSSOP-8 (Pb-Free)	3000 / Tape & Reel

†For information on tape and reel specifications, including part orientation and tape sizes, please refer to our Tape and Reel Packaging Specification Brochure, BRD8011/D.

# N01S818HA

**Table 2. PIN NAMES**

Pin Name	Pin Function
$\overline{CS}$	Chip Select
SCK	Serial Clock
SI / SIO0	Data Input – SPI mode Data Input/Output 0 – DUAL and QUAD mode
SO / SIO1	Data Output – SPI mode Data Input/Output 1 – DUAL and QUAD mode
SC / SIO2	No Connect – SPI and DUAL mode Data Input/Output 2 – QUAD mode
$\overline{HOLD}$ / SIO3	HOLD Input – SPI and DUAL mode Data Input/Output 3 – QUAD mode
$V_{CC}$	Power
$V_{SS}$	Ground



**Figure 1. Functional Block Diagram**

**Table 3. CONTROL SIGNAL DESCRIPTIONS**

Signal	Mode Used	Name	Description
$\overline{CS}$	All	Chip Select	A low level selects the device and a high level puts the device in standby mode. If $\overline{CS}$ is brought high during a program cycle, the cycle will complete and then the device will enter standby mode. When $\overline{CS}$ is high, SO is in high-Z. $\overline{CS}$ must be driven low after power-up prior to any sequence being started.
SCK	All	Serial Clock	Synchronizes all activities between the memory and controller. All incoming addresses, data and instructions are latched on the rising edge of SCK. Data out is updated after the falling edge of SCK.
SI	SPI	Serial Data In	Receives instructions, addresses and data on the rising edge of SCK.
SO	SPI	Serial Data Out	Data is transferred out after the falling edge of SCK.
$\overline{HOLD}$	SPI and DUAL	Hold	A high level is required for normal operation. Once the device is selected and a serial sequence is started, this input may be taken low to pause serial communication without resetting the serial sequence. The pin must be brought low while SCK is low for immediate use. If SCK is not low, the HOLD function will not be invoked until the next SCK high to low transition. The device must remain selected during this sequence. SO is high-Z during the Hold time and SI and SCK are inputs are ignored. To resume operations, $\overline{HOLD}$ must be pulled high while the SCK pin is low. Lowering the HOLD input at any time will take to SO output to High-Z.
SIO0 - 1	DUAL	Serial Data Input / Output	Receives instructions, addresses and data on the rising edge of SCK. Data is transferred out after the falling edge of SCK. The instruction must be set after power-up to enable the DUAL access mode.
SIO0 - 3	QUAD	Serial Data Input / Output	Receives instructions, addresses and data on the rising edge of SCK. Data is transferred out after the falling edge of SCK. The instruction must be set after power-up to enable the QUAD access mode.

**Basic Operation**

The 1 Mb serial SRAM is designed to interface directly with a standard Serial Peripheral Interface (SPI) common on many standard micro-controllers in the default state. It may also interface with other non-SPI ports by programming discrete I/O lines to operate the device.

The serial SRAM contains an 8-bit instruction register and is accessed via the SI pin. The  $\overline{CS}$  pin must be low and the  $\overline{HOLD}$  pin must be high for the entire operation. Data is sampled on the first rising edge of SCK after  $\overline{CS}$  goes low. If the clock line is shared, the user can assert the  $\overline{HOLD}$  input and place the device into a Hold mode. After releasing the  $\overline{HOLD}$  pin, the operation will resume from the point where it was held. The Hold operation is only supported in SPI and DUAL modes.

By programming the device through a command instruction, the dual and quad access modes may be initiated. In these modes, multiplexed I/O lines take the place of the SPI SI and SO pins and along with the  $\overline{CS}$  and SCK control the device in a SPI-like, two bit (DUAL) and four bit (QUAD) wide serial manner. Once the device is put into either the DUAL or QUAD mode, the device will remain operating in that mode until powered down or the Reset Mode operation is programmed.

The following table contains the possible instructions and formats. All instructions, addresses and data are transferred MSB first and LSB last.

**Table 4. INSTRUCTION SET**

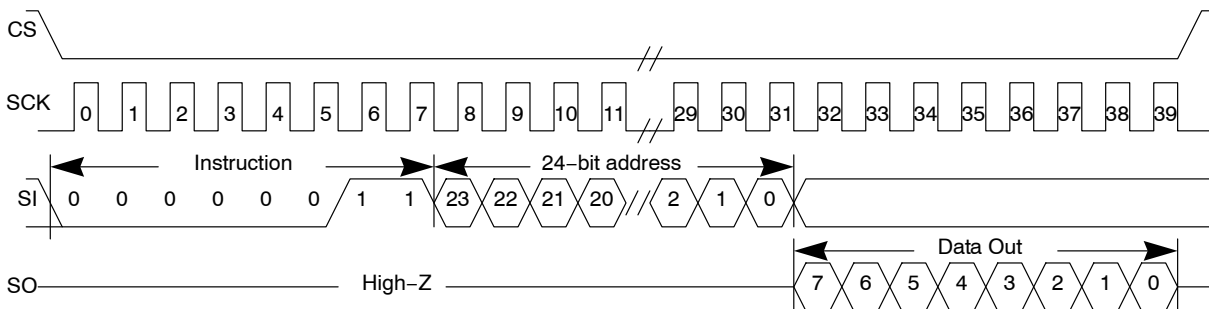
Instruction	Command	Description
READ	03h	Read data from memory starting at selected address
WRITE	02h	Write (program) data to memory starting at selected address
EQIO	38h	Enable QUAD I/O access
EDIO	3Bh	Enable DUAL I/O access
RSTQIO	FFh	Reset from QUAD and DUAL to SPI I/O access
RDMR	05h	Read mode register
WRMR	01h	Write mode register

**DEVICE OPERATIONS**

**Read Operation**

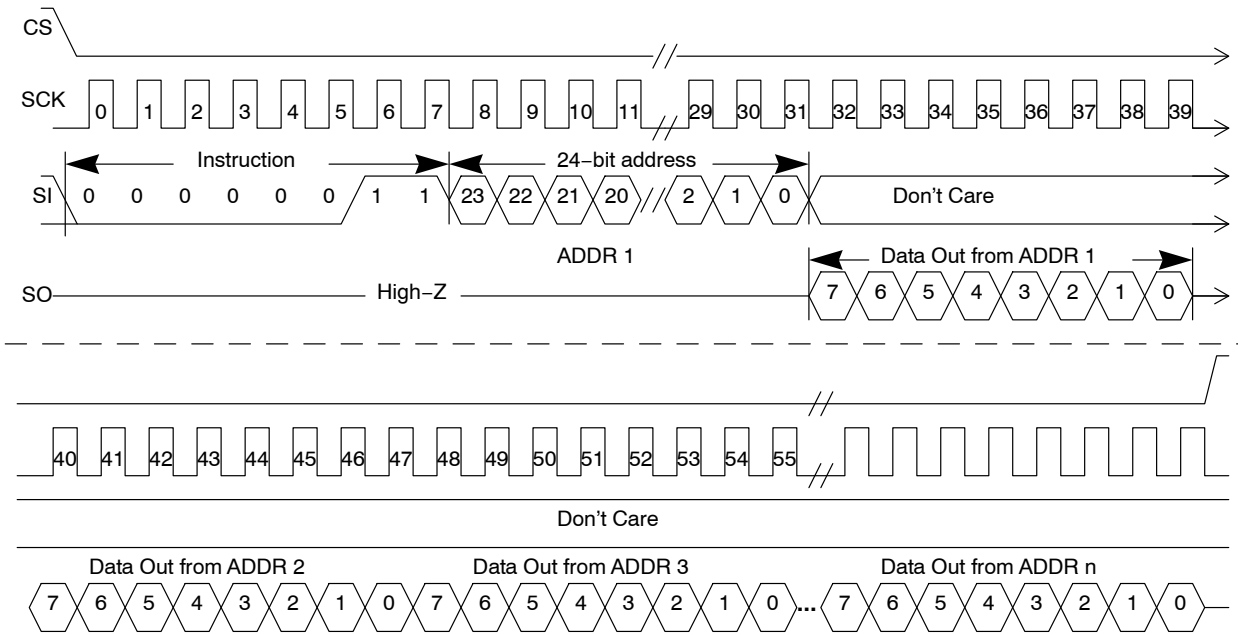
The serial SRAM Read operation is started by by enabling  $\overline{CS}$  low. First, the 8-bit Read instruction is transmitted to the device through the SI (or SIO0-3) pin(s) followed by the 24-bit address with the 7 MSBs of the address being “don’t care” bits and ignored. In SPI mode, after the READ instruction and address bits are sent, the data stored at that address in memory is shifted out on the SO pin after the output valid time. Additional “dummy” clock cycles (four in DUAL and two in QUAD) are required to follow the instruction and address inputs prior to the data being driven out on the SIO0-3 pins while operating in these two modes.

By continuing to provide clock cycles to the device, data can continue to be read out of the memory array in sequentially. The internal address pointer is automatically incremented to the next higher address after each byte of data is read out until the highest memory address is reached. When the highest memory address is reached, 1FFFFh, the address pointer wraps to the address 00000h. This allows the read cycles to be continued indefinitely. All Read operations are terminated by pulling  $\overline{CS}$  high.

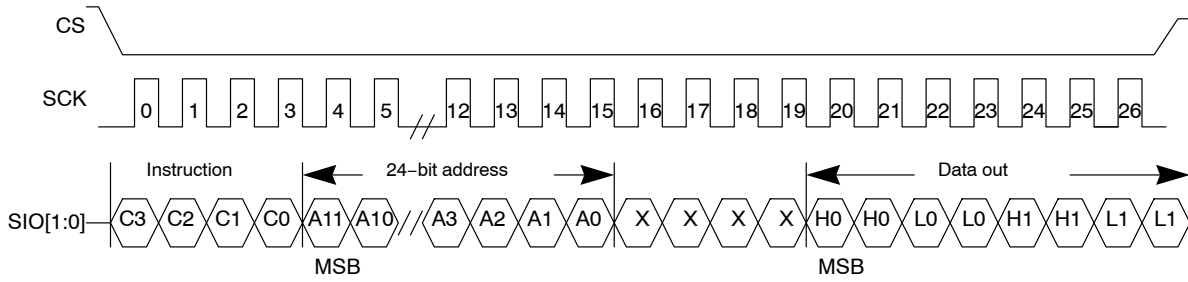


**Figure 2. SPI Read Sequence (Single Byte)**

# N01S818HA

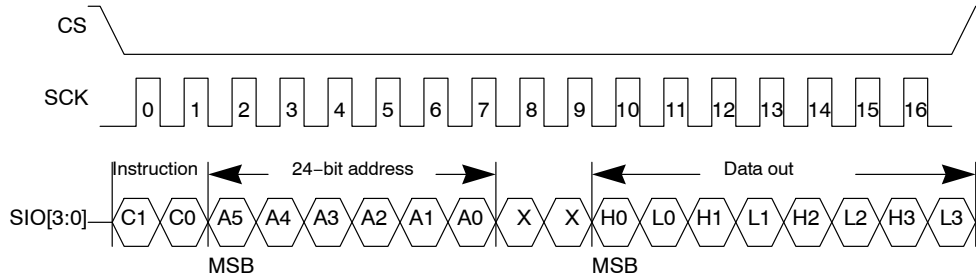


**Figure 3. SPI Read Sequence (Sequential Bytes)**



**Notes:** C[3:0] = 03h  
 H0 = 2 high order bits of data byte 0  
 L0 = 2 low order bits of data byte 0  
 H1 = 2 high order bits of data byte 1  
 L1 = 2 low order bits of data byte 1

**Figure 4. DUAL Read Sequence**



**Notes:** C[1:0] = 03h  
 H0 = 4 high order bits of data byte 0  
 L0 = 4 low order bits of data byte 0  
 H1 = 4 high order bits of data byte 1  
 L1 = 4 low order bits of data byte 1

**Figure 5. QUAD Read Sequence**

**Write Operation**

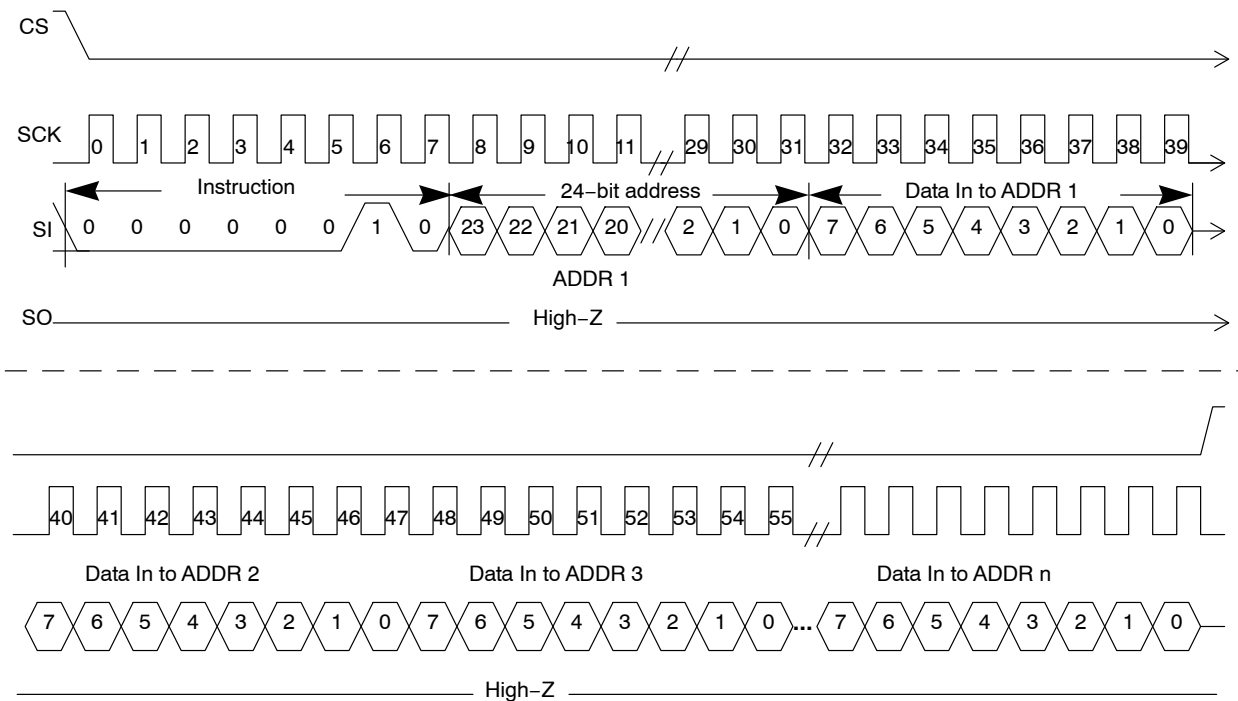
The serial SRAM WRITE is selected by enabling  $\overline{CS}$  low. First, the 8-bit WRITE instruction is transmitted to the device followed by the 24-bit address with the 7 MSBs being don't care. After the WRITE instruction and addresses are sent, the data to be stored in memory is shifted in on the SI pin.

If operating in page mode, after the initial word of data is shifted in, additional data words can be written as long as the address requested is sequential on the same page. Simply write the data on SI pin and continue to provide clock pulses. The internal address pointer is automatically incremented to the next higher address on the page after each word of data is written in. This can be continued for the entire page length of 32 words long. At the end of the page, the addresses pointer will be wrapped to the 0 word address within the

page and the operation can be continuously looped over the 32 words of the same page. The new data will replace data already stored in the memory locations.

If operating in burst mode, after the initial word of data is shifted in, additional data words can be written to the next sequential memory locations by continuing to provide clock pulses. The internal address pointer is automatically incremented to the next higher address after each word of data is read out. This can be continued for the entire array and when the highest address is reached, 1FFFFh, the address counter wraps to the address 00000h. This allows the burst write cycle to be continued indefinitely. Again, the new data will replace data already stored in the memory locations.

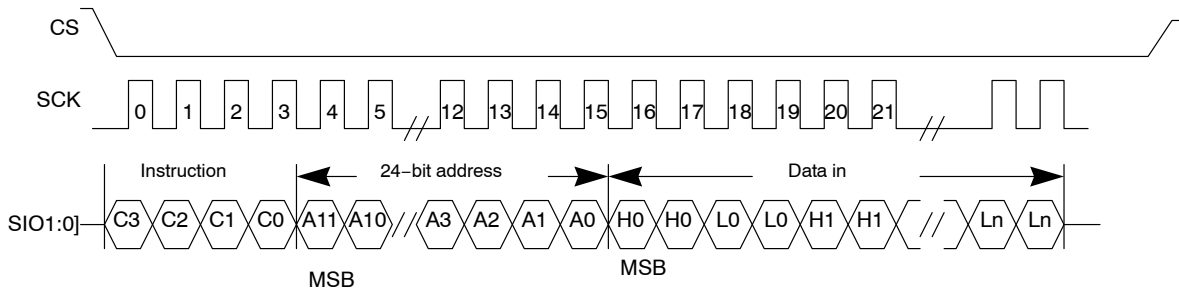
All WRITE operations are terminated by pulling  $\overline{CS}$  high.



**Figure 6. SPI Write Sequence**

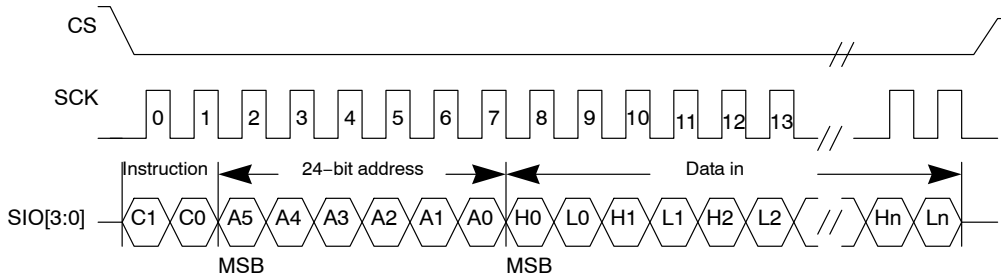


# N01S818HA



- Notes:** C[3:0] = 02h  
H0 = 2 high order bits of data byte 0  
L0 = 2 low order bits of data byte 0  
H1 = 2 high order bits of data byte 1  
L1 = 2 low order bits of data byte 1

**Figure 7. DUAL Write Sequence**



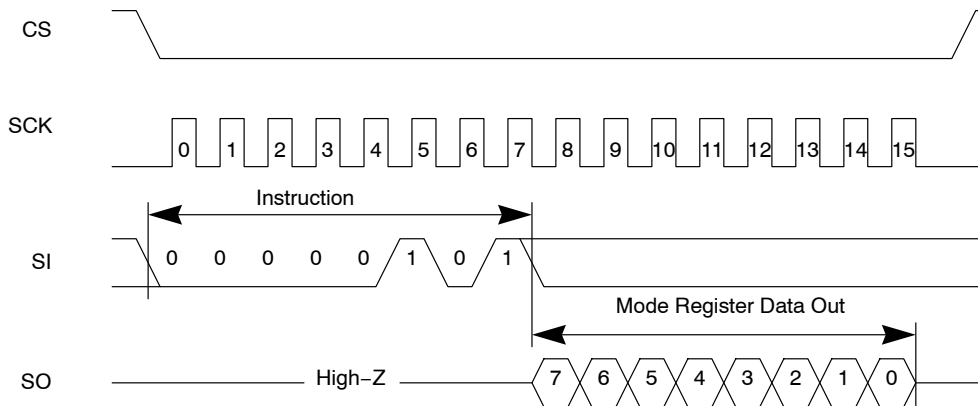
- Notes:** C[1:0] = 02h  
H0 = 4 high order bits of data byte 0  
L0 = 4 low order bits of data byte 0  
H1 = 4 high order bits of data byte 1  
L1 = 4 low order bits of data byte 1

**Figure 8. QUAD Write Sequence**

## READ Mode Register (RDMR)

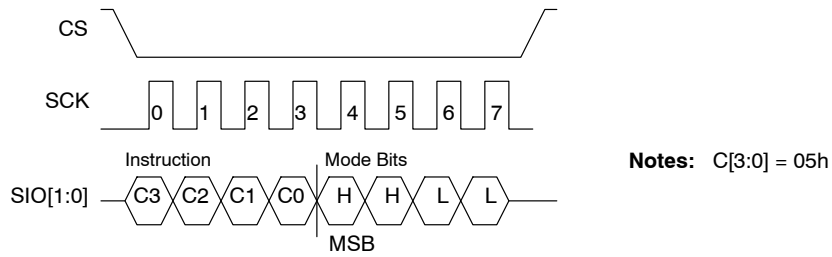
This instruction provides the ability to read the mode register. The register may be read at any time including during a Write operation. The Read Mode Register operation is executed by driving  $\overline{CS}$  low, then sending the

RDMR instruction to the device. Immediately after the instruction, the device outputs data on the SO (SIO0-3) pin(s). To complete the operation, drive  $\overline{CS}$  high to terminate the register read.

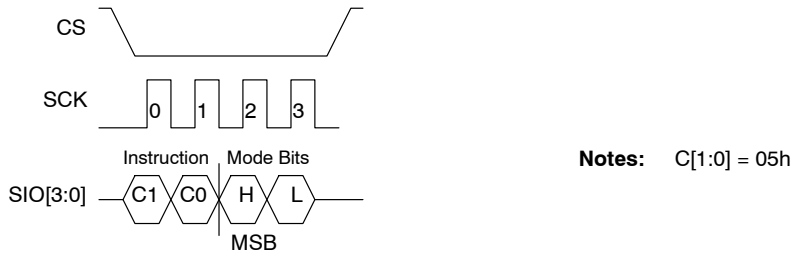


**Figure 9. SPI Read Mode Register Sequence (RDMR)**

## N01S818HA



**Figure 10. DUAL Read Mode Register Sequence (RD MR)**

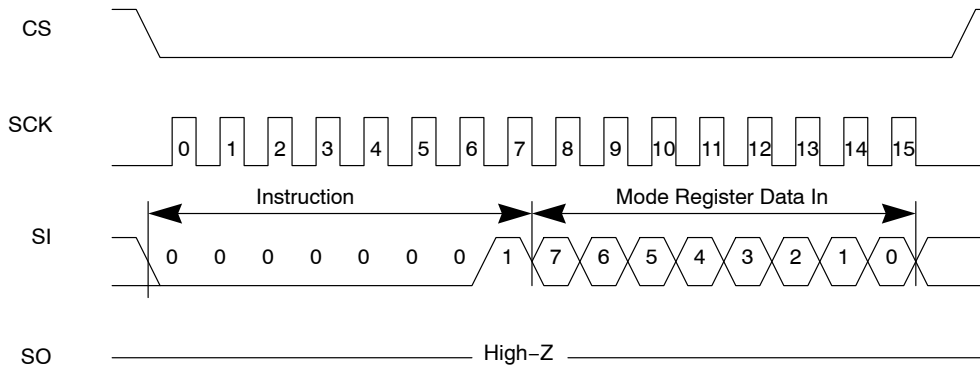


**Figure 11. QUAD Read Mode Register Sequence (RD MR)**

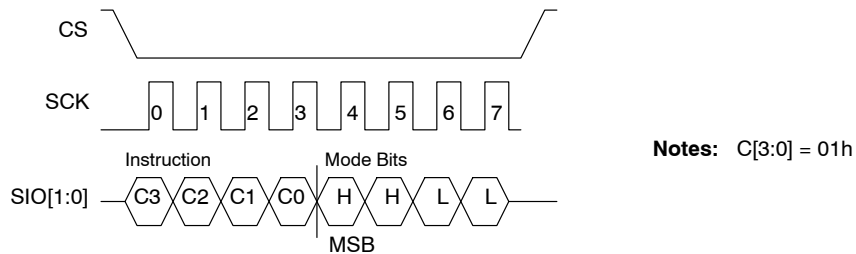
### Write Mode Register (WRMR)

This instruction provides the ability to write the mode register. The Write Mode Register operation is executed by driving  $\overline{CS}$  low, then sending the WRMR instruction to the

device. Immediately after the instruction, the data is driven to the device on the SO (SIO0-3) pin(s). To complete the operation, drive  $\overline{CS}$  high to terminate the register write.



**Figure 12. SPI Write Mode Register Sequence**



**Figure 13. DUAL Write Mode Register Sequence**



# N01S818HA

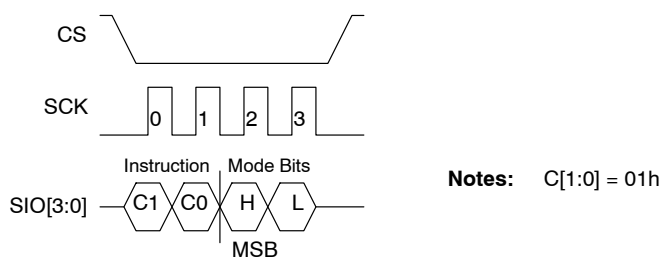


Figure 14. QUAD Write Mode Register Sequence

Table 5. MODE REGISTER

Bit	Function
0	Hold Function 1 = Hold function disabled 0 = Hold function enabled (Default)
1	Reserved
2	Reserved
3	Reserved
4	Reserved
5	Reserved

6	Operating Mode	
	Bit 7	Bit 6
	0	0 = Word Mode
7	1	0 = Page Mode
	0	1 = Burst Mode (Default)
	1	1 = Reserved

### Power-Up State

The serial SRAM enters a know state at power-up time. The device is in low-power standby state with  $\overline{CS} = 1$ . A low level on  $\overline{CS}$  is required to enter a active state.

Table 6. ABSOLUTE MAXIMUM RATINGS

Item	Symbol	Rating	Units
Voltage on any pin relative to $V_{SS}$	$V_{IN,OUT}$	-0.3 to $V_{CC} + 0.3$	V
Voltage on $V_{CC}$ Supply Relative to $V_{SS}$	$V_{CC}$	-0.3 to 5.5	V
Power Dissipation	$P_D$	500	mW
Storage Temperature	$T_{STG}$	-40 to 125	°C
Operating Temperature	$T_A$	-40 to +85	°C
Soldering Temperature and Time	$T_{SOLDER}$	260°C, 10 sec	°C

Stresses exceeding Maximum Ratings may damage the device. Maximum Ratings are stress ratings only. Functional operation above the Recommended Operating Conditions is not implied. Extended exposure to stresses above the Recommended Operating Conditions may affect device reliability.

Table 7. OPERATING CHARACTERISTICS (OVER SPECIFIED TEMPERATURE RANGE)

Item	Symbol	Test Conditions	Min	Typ (Note 1)	Max	Units
Supply Voltage	$V_{CC}$		1.7		2.2	V
Data Retention Voltage (Note 2)	$V_{DR}$			1.0		V
Input High Voltage	$V_{IH}$		$0.7 V_{CC}$		$V_{CC} + 0.3$	
Input Low Voltage	$V_{IL}$		-0.3		$0.2 V_{CC}$	V
Output High Voltage	$V_{OH}$	$I_{OH} = -0.4 \text{ mA}$	$V_{CC} - 0.2$			V
Output Low Voltage	$V_{OL}$	$I_{OL} = 1 \text{ mA}$			0.2	V
Input Leakage Current	$I_{LI}$	$\overline{CS} = V_{CC}, V_{IN} = 0 \text{ to } V_{CC}$			1.0	$\mu\text{A}$
Output Leakage Current	$I_{LO}$	$\overline{CS} = V_{CC}, V_{OUT} = 0 \text{ to } V_{CC}$			1.0	$\mu\text{A}$
Operating Current	$I_{CC}$	$f = 20 \text{ MHz}, I_{OUT} = 0, \text{ SPI / DUAL}$			10	mA
		$f = 20 \text{ MHz}, I_{OUT} = 0, \text{ QUAD}$			10	
Standby Current	$I_{SB}$	$\overline{CS} = V_{CC}, V_{IN} = V_{SS} \text{ or } V_{CC}$		1	5	$\mu\text{A}$

1. Typical values are measured at  $V_{CC} = V_{CC \text{ Typ.}}$ ,  $T_A = 25^\circ\text{C}$  and are not 100% tested.

2. Typical lower limit of VCC when data will be retained in the memory array, not 100% tested.

# N01S818HA

**Table 8. CAPACITANCE** (Note 3)

Item	Symbol	Test Conditions	Min	Max	Units
Input Capacitance	$C_{IN}$	$V_{IN} = 0\text{ V}, f = 1\text{ MHz}, T_A = 25^\circ\text{C}$		7	pF
I/O Capacitance	$C_{I/O}$	$V_{IN} = 0\text{ V}, f = 1\text{ MHz}, T_A = 25^\circ\text{C}$		7	pF

3. These parameters are verified in device characterization and are not 100% tested.

**Table 9. TIMING TEST CONDITIONS**

Item	Value
Input Pulse Level	$0.1 V_{CC}$ to $0.9 V_{CC}$
Input Rise and Fall Time	5 ns
Input and Output Timing Reference Levels	$0.5 V_{CC}$
Output Load	$CL = 30\text{ pF}$
Operating Temperature	$-40$ to $+85^\circ\text{C}$

**Table 10. TIMING**

Item	Symbol	Min	Max	Units
Clock Frequency	$f_{CLK}$		20	MHz
Clock Period	$t_{CLK}$	50		ns
Clock Rise Time	$t_R$		20	ns
Clock Fall Time	$t_F$		20	ns
Clock High Time	$t_{HI}$	25		ns
Clock Low Time	$t_{LO}$	25		ns
Clock Delay Time	$t_{CLD}$	25		ns
$\overline{CS}$ Setup Time	$t_{CSS}$	25		ns
$\overline{CS}$ Hold Time	$t_{CSH}$	50		ns
$\overline{CS}$ Disable Time	$t_{CSD}$	25		ns
SCK to $\overline{CS}$	$t_{SCS}$	5		ns
Data Setup Time	$t_{SU}$	10		ns
Data Hold Time	$t_{HD}$	10		ns
Output Valid From Clock Low	$t_V$		25	ns
Output Hold Time	$t_{HO}$	0		ns
Output Disable Time	$t_{DIS}$		20	ns
HOLD Setup Time	$t_{HS}$	10		ns
HOLD Hold Time	$t_{HH}$	10		ns
HOLD Low to Output High-Z	$t_{HZ}$	10		ns
HOLD High to Output Valid	$t_{HV}$		50	ns

# N01S818HA

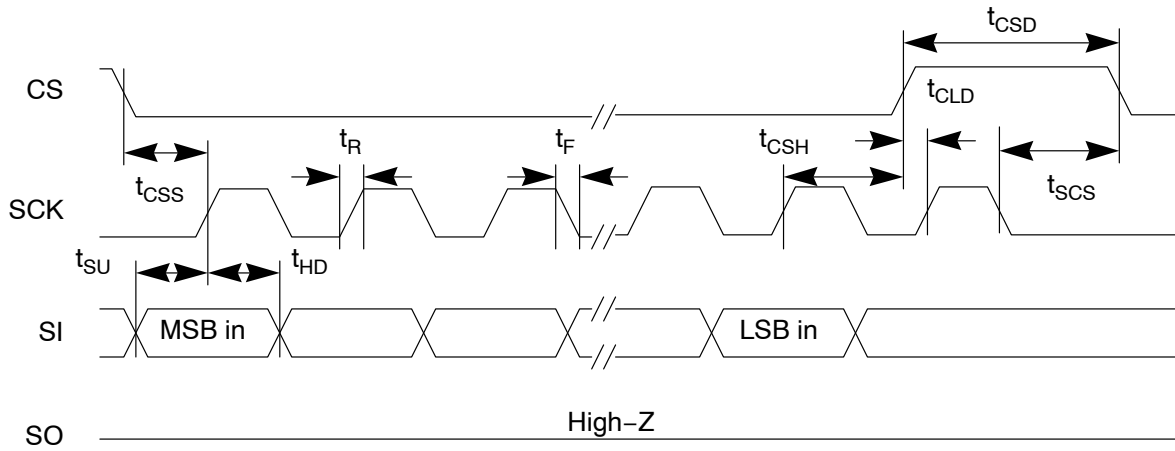


Figure 15. SPI Input Timing

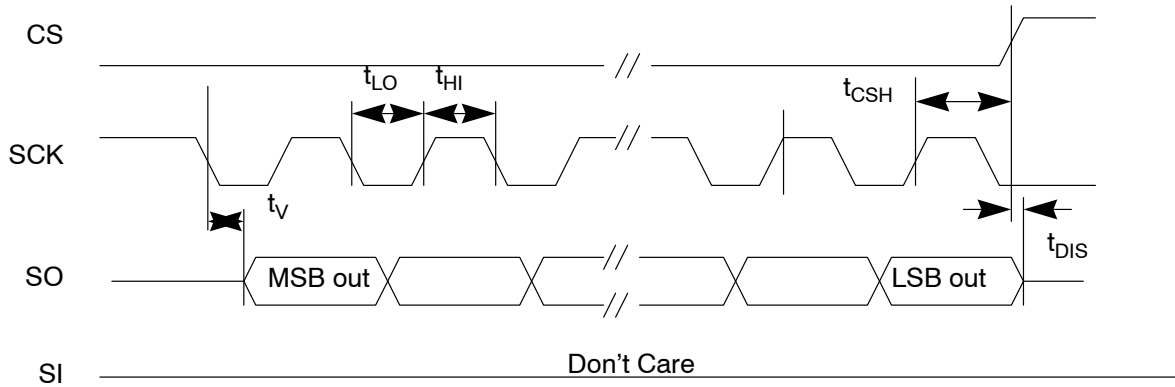


Figure 16. SPI Output Timing

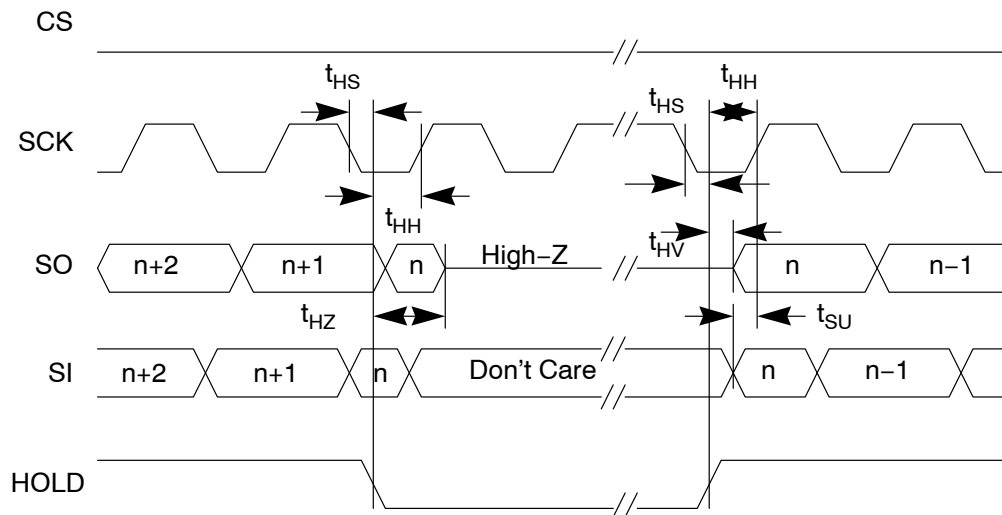


Figure 17. SPI Hold Timing

# N01S818HA

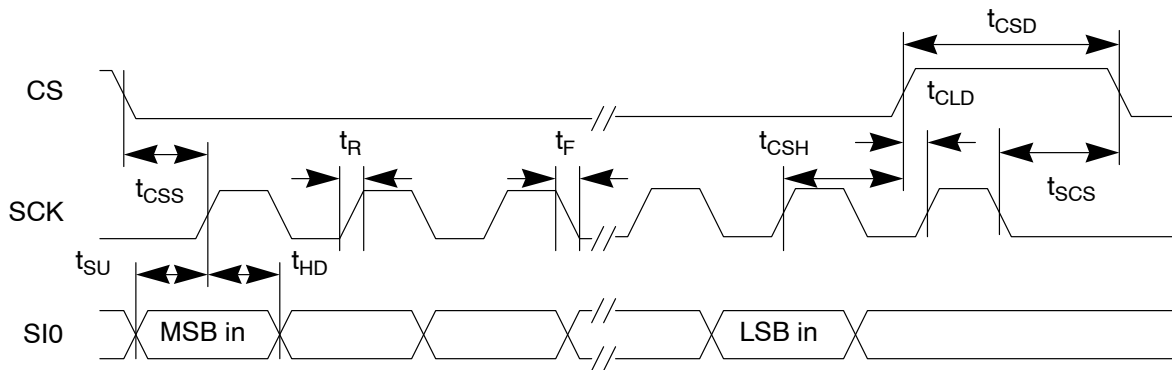


Figure 18. QUAD Input Timing

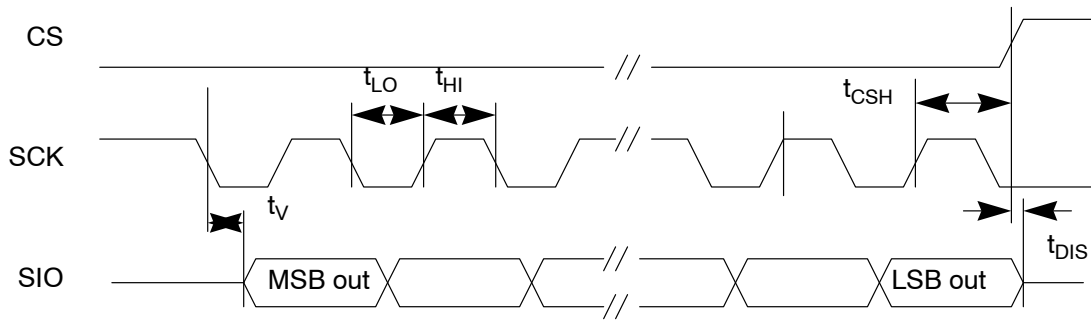
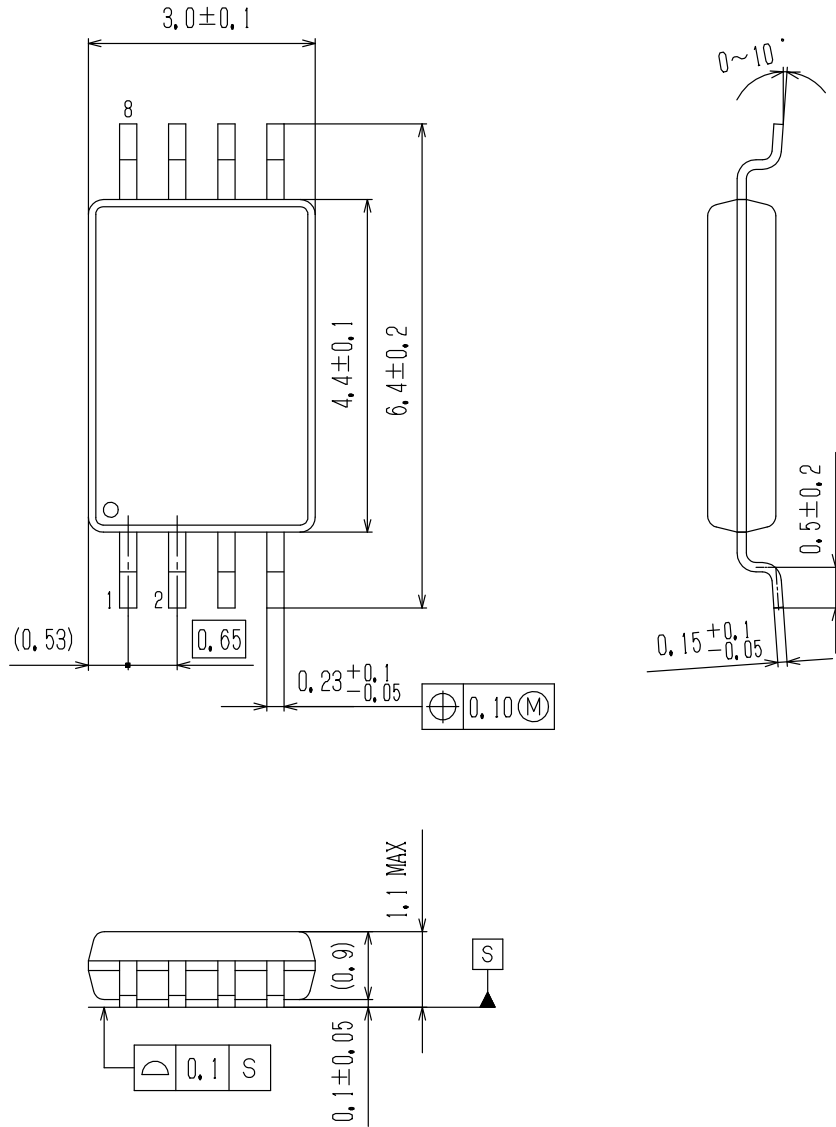



Figure 19. QUAD Output Timing

# N01S818HA

## PACKAGE DIMENSIONS

TSSOP8 3x4.4 / TSSOP8 (225 mil)  
CASE 948BH  
ISSUE O



**ON Semiconductor** and  are registered trademarks of Semiconductor Components Industries, LLC (SCILLC). SCILLC owns the rights to a number of patents, trademarks, copyrights, trade secrets, and other intellectual property. A listing of SCILLC's product/patent coverage may be accessed at [www.onsemi.com/site/pdf/Patent-Marking.pdf](http://www.onsemi.com/site/pdf/Patent-Marking.pdf). SCILLC reserves the right to make changes without further notice to any products herein. SCILLC makes no warranty, representation or guarantee regarding the suitability of its products for any particular purpose, nor does SCILLC assume any liability arising out of the application or use of any product or circuit, and specifically disclaims any and all liability, including without limitation special, consequential or incidental damages. "Typical" parameters which may be provided in SCILLC data sheets and/or specifications can and do vary in different applications and actual performance may vary over time. All operating parameters, including "Typicals" must be validated for each customer application by customer's technical experts. SCILLC does not convey any license under its patent rights nor the rights of others. SCILLC products are not designed, intended, or authorized for use as components in systems intended for surgical implant into the body, or other applications intended to support or sustain life, or for any other application in which the failure of the SCILLC product could create a situation where personal injury or death may occur. Should Buyer purchase or use SCILLC products for any such unintended or unauthorized application, Buyer shall indemnify and hold SCILLC and its officers, employees, subsidiaries, affiliates, and distributors harmless against all claims, costs, damages, and expenses, and reasonable attorney fees arising out of, directly or indirectly, any claim of personal injury or death associated with such unintended or unauthorized use, even if such claim alleges that SCILLC was negligent regarding the design or manufacture of the part. SCILLC is an Equal Opportunity/Affirmative Action Employer. This literature is subject to all applicable copyright laws and is not for resale in any manner.

### PUBLICATION ORDERING INFORMATION

#### LITERATURE FULFILLMENT:

Literature Distribution Center for ON Semiconductor  
P.O. Box 5163, Denver, Colorado 80217 USA  
Phone: 303-675-2175 or 800-344-3860 Toll Free USA/Canada  
Fax: 303-675-2176 or 800-344-3867 Toll Free USA/Canada  
Email: [orderlit@onsemi.com](mailto:orderlit@onsemi.com)

**N. American Technical Support:** 800-282-9855 Toll Free  
USA/Canada  
**Europe, Middle East and Africa Technical Support:**  
Phone: 421 33 790 2910  
**Japan Customer Focus Center**  
Phone: 81-3-5817-1050

**ON Semiconductor Website:** [www.onsemi.com](http://www.onsemi.com)

**Order Literature:** <http://www.onsemi.com/orderlit>

For additional information, please contact your local Sales Representative