



Chipsmall Limited consists of a professional team with an average of over 10 year of expertise in the distribution of electronic components. Based in Hongkong, we have already established firm and mutual-benefit business relationships with customers from,Europe,America and south Asia,supplying obsolete and hard-to-find components to meet their specific needs.

With the principle of “Quality Parts,Customers Priority,Honest Operation,and Considerate Service”,our business mainly focus on the distribution of electronic components. Line cards we deal with include Microchip,ALPS,ROHM,Xilinx,Pulse,ON,Everlight and Freescale. Main products comprise IC,Modules,Potentiometer,IC Socket,Relay,Connector.Our parts cover such applications as commercial,industrial, and automotives areas.

We are looking forward to setting up business relationship with you and hope to provide you with the best service and solution. Let us make a better world for our industry!



## Contact us

Tel: +86-755-8981 8866 Fax: +86-755-8427 6832

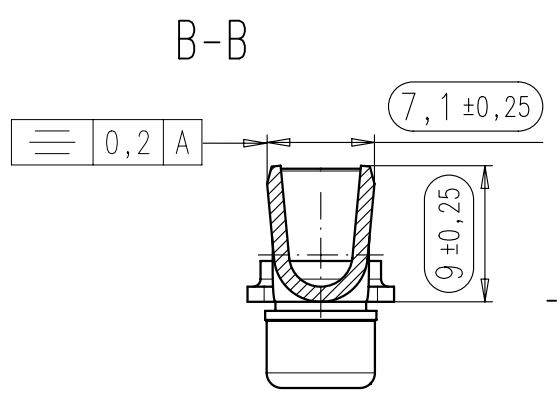
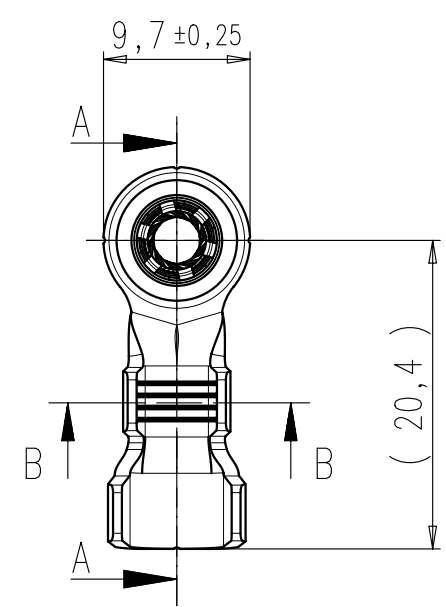
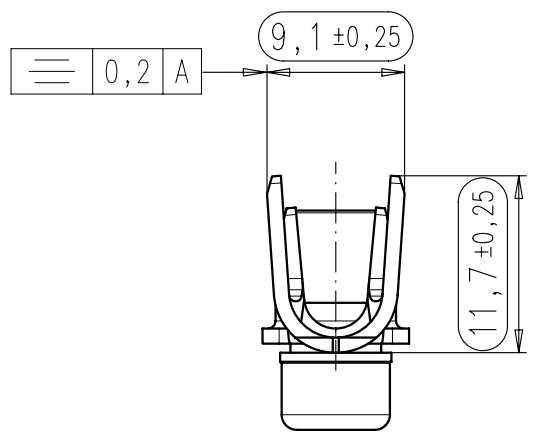
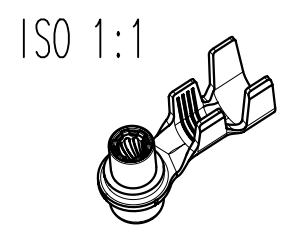
Email & Skype: info@chipsmall.com Web: www.chipsmall.com

Address: A1208, Overseas Decoration Building, #122 Zhenhua RD., Futian, Shenzhen, China



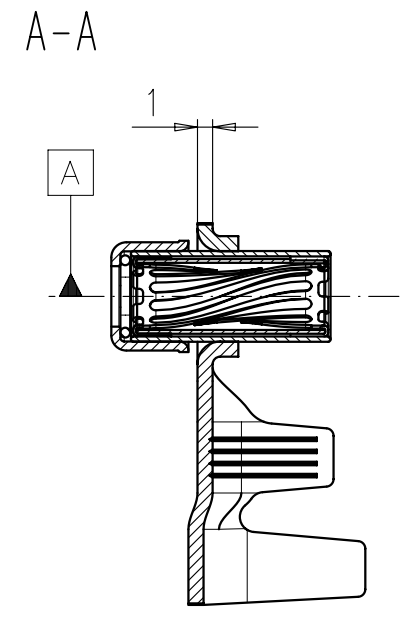
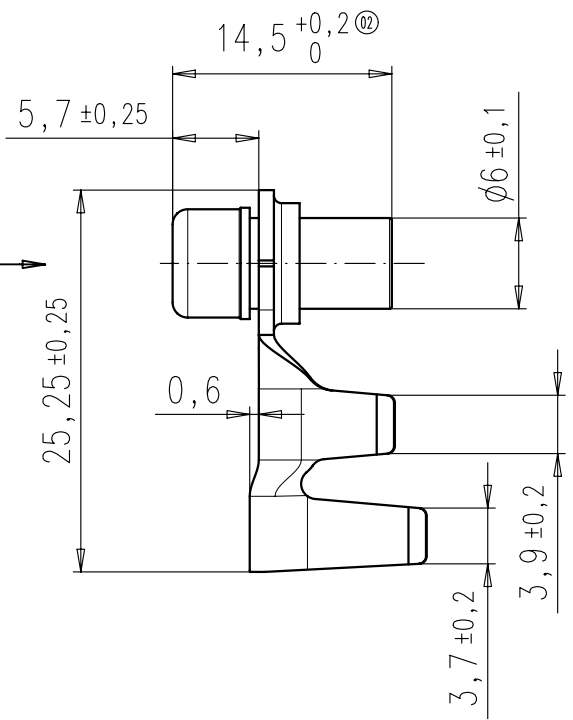
Copying of this document and giving it to others and the use or communication of the contents thereof, are forbidden without express authority. Offenders are liable to the payment of damages. All rights are reserved in the event of the grant of a patent or the registration of the utility model or design.

Weitergabe sowie Vervielfältigung dieser Unterlage, Verwertung und Mitteilung ihres Inhalts nicht gestattet, soweit nicht ausdrücklich zugestanden. Zuwiderhandlungen verpflichten zu Schadenersatz. Alle Rechte für den Fall der Patenterteilung oder Gebrauchsmuster-Eintragung vorbehalten.



Steckrichtung <sup>03</sup>  
direction of insertion

Die Kräfteinleitung <sup>03</sup> beim Stecken und Ziehen muss entlang der Achse der Kontaktbuchse erfolgen  
the initiation of the insertion and withdrawal force has to be along the axis of the contact socket



- blank stamp edges permitted <sup>02</sup>  
blanke Stanzkanten zulässig
- for cable sizes 6mm<sup>2</sup> - AWG8 - 10mm<sup>2</sup>  
für Kabelquerschnitte 6mm<sup>2</sup> - AWG8 - 10mm<sup>2</sup>
- parts have to be processed according to Amphenol crimp specification N 50 360 5001  
Teile müssen nach Amphenol Crimpspezifikation N 50 360 5001 verarbeitet werden

Masse (errechnet)/Calc WT: -	9	Zul. Abw./Tolerances:	ISO 2768-m	Maßstab/Scale 2:1 (1:1)	A3
Prüfmaß/Testdimension			DIN/ISO 13715	CUSTOMER DRAWING	
Teileindex Partindexnumber	(-)	09	Datum/Date 06.03.	Hoe.	
		Gez.		Kontaktverrastung 3,6mm	
		Gepr.		click fit size 3,6mm	
		Checked		?	
03	200900521	06.10.09	Hoe.	Amphenol-Tuchel Electronics GmbH	
02	200900399	16.07.09	Hoe.	M N 02 036 6137 002	
01	200800716	06.03.09	Hoe.	Ers. f./Replacement for: M-SK 200800716 112	
Index	Änderung/Description	Datum/Date	Name	Blatt/Sheet 1 1 Bl.	