



Chipsmall Limited consists of a professional team with an average of over 10 year of expertise in the distribution of electronic components. Based in Hongkong, we have already established firm and mutual-benefit business relationships with customers from,Europe,America and south Asia,supplying obsolete and hard-to-find components to meet their specific needs.

With the principle of “Quality Parts,Customers Priority,Honest Operation,and Considerate Service”,our business mainly focus on the distribution of electronic components. Line cards we deal with include Microchip,ALPS,ROHM,Xilinx,Pulse,ON,Everlight and Freescale. Main products comprise IC,Modules,Potentiometer,IC Socket,Relay,Connector.Our parts cover such applications as commercial,industrial, and automotives areas.

We are looking forward to setting up business relationship with you and hope to provide you with the best service and solution. Let us make a better world for our industry!



Contact us

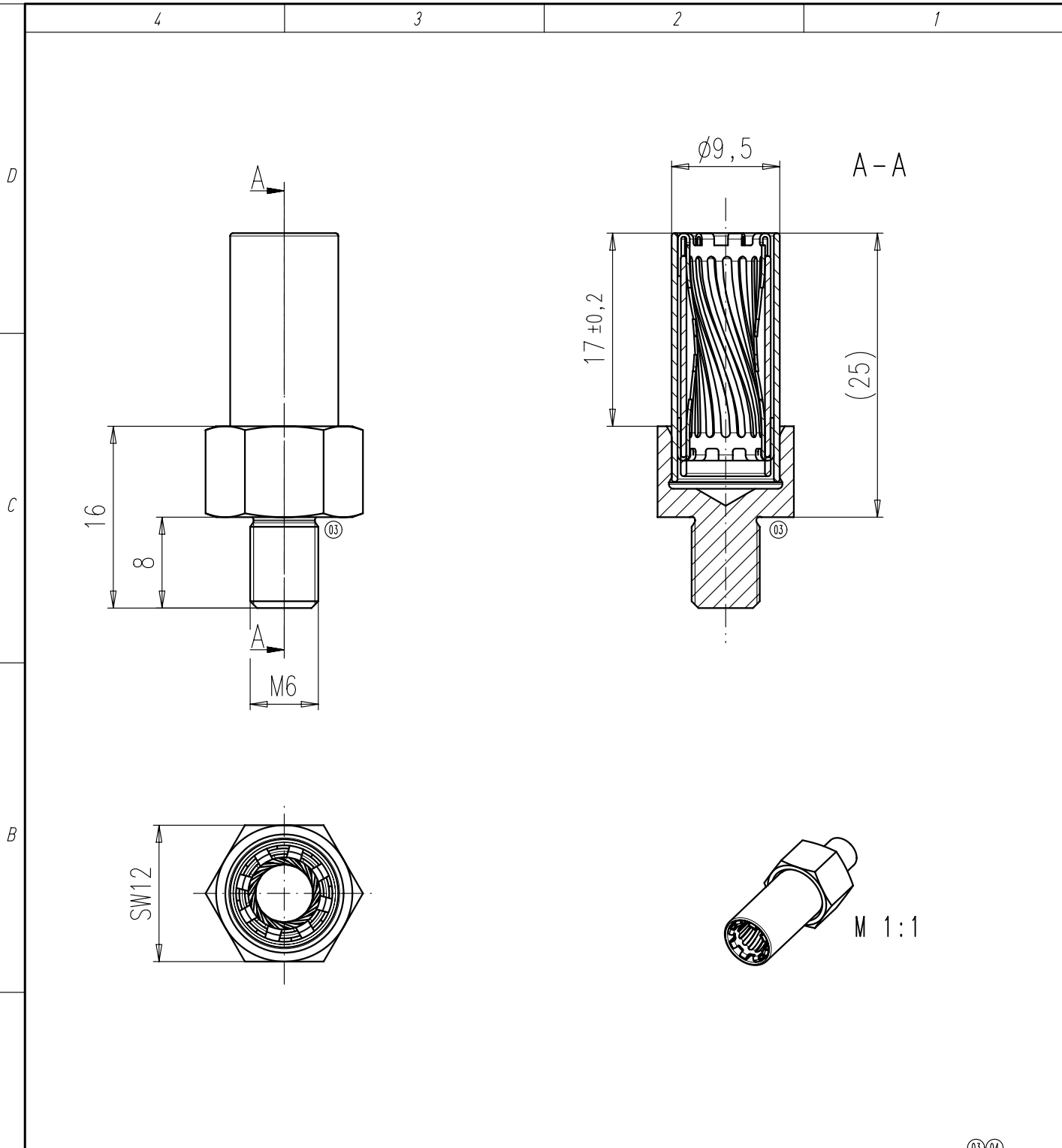
Tel: +86-755-8981 8866 Fax: +86-755-8427 6832

Email & Skype: info@chipsmall.com Web: www.chipsmall.com

Address: A1208, Overseas Decoration Building, #122 Zhenhua RD., Futian, Shenzhen, China



Copying of this document and giving it to others and the use or communication of the contents thereof, are forbidden without express authority. Offenders are liable to the payment of damages. All rights are reserved in the event of the grant of a patent or the registration of the utility model or design.



Steck- und Ziehkraft, Anforderungen zur Handhabung und Steckpartner, siehe: 05/04
insertion and withdrawal force, demands for handling and mating partner, see:
 N 50 360 0009

Weitergabe sowie Vervielfältigung dieser Unterlage, Verwertung und Mitteilung ihres Inhalts nicht gestattet, soweit nicht ausdrücklich zugestanden. Zuwiderhandlungen verpflichten zu Schadenersatz. Alle Rechte für den Fall der Patenterteilung oder Gebrauchsmuster-Eintragung vorbehalten.

Masse (errechnet)/Calc WT: - 9		Zul. Abw./Tolerances:		Maßstab/Scale 2:1		A4			
Prüfmaß/Testdimension						CUSTOMER DRAWING			
Teileindex Part index number				DIN/ISO 13715		6mm Radsok Einschraubversion M6			
				08 Datum/Date		6mm Radsok screw termination M6			
				Gez. 11.07.		i.f.g.			
				Drawn		Tolksdorf			
05 201200484		30.07.12		Hoe.		Checked			
04 201100343		13.05.11		Hoe.					
03 200800682		01.10.08		Tol.		Amphenol-Tuchel			
02 200800563		05.08.08		Tol.		Electronics GmbH			
01 200700524		28.07.08		Tol.		M N 02 060 6601 002			
Index Änderung/Description		Datum/Date		Name		Ers. f./Replacement for: M-SK 200700524 052, Rev.03		Blatt/Sheet 1 1 Bl.	